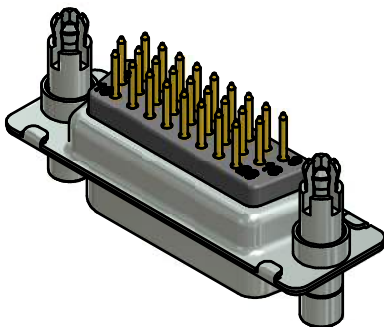
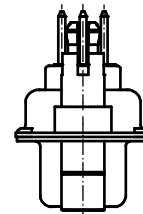
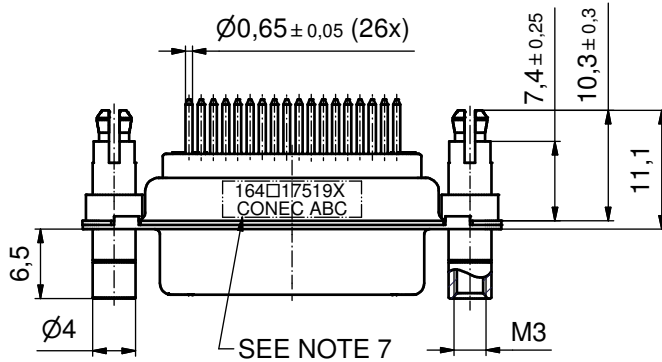
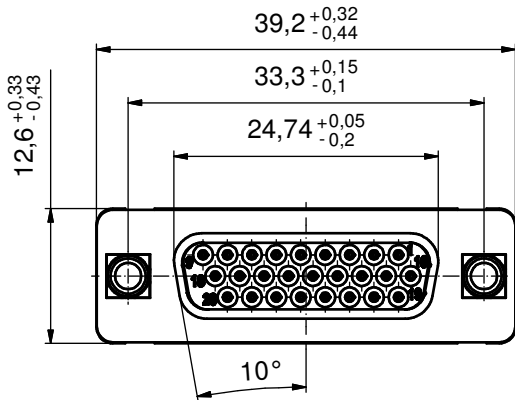
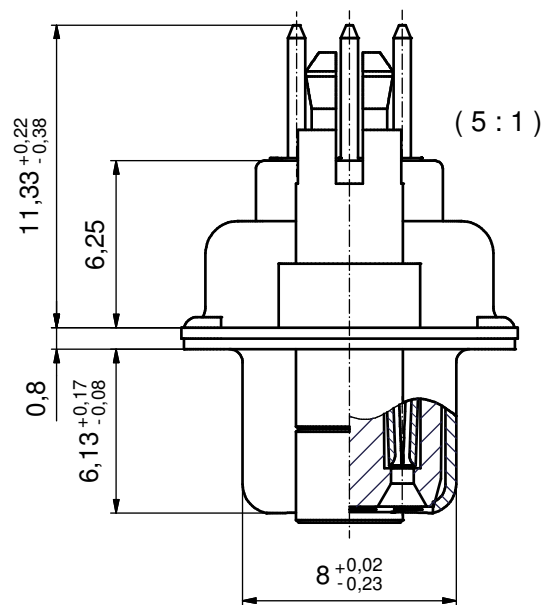


P.C.B. HOLE DRILLINGS  
(P.C.B TOP SIDE)



(b) NOTES:

- METALSHELLS: STEEL; min. 315µm TIN over 40-80µm NICKEL
- INSULATORS: PBT GF UL 94 V-0, BLACK
- CONTACTS: COPPER ALLOY; PLATING (SEE PART NO):
  - PLEASE ADD A for GOLD FLASH over NICKEL (PREFERRED TYPE)
  - PLEASE ADD B for 20µm HARD GOLD over min. 50µm NICKEL
  - PLEASE ADD C for 30µm HARD GOLD over min. 50µm NICKEL
- THREADED LOCK AND SPACER CLIPS: COPPER ALLOY; min. 200µm TIN over 80µm NICKEL  
PCB-HOLE: Ø3.1 ± 0.1; PCB THICKNESS 1.6mm
- COLLARS: COPPER ALLOY; min. 200µm TIN over 80µm NICKEL
- MAXIMUM TORQUE VALUE FOR THREAD: 6 in.LB
- CONNECTOR IS PART MARKED: 164□17519X CONEC ABC

Directive 2002/95/EC RoHS compliant

THIS DRAWING MAY NOT BE COPIED OR REPRODUCED IN ANY WAY, AND MAY NOT BE PASSED ON TO A THIRD PARTY WITHOUT WRITTEN PERMISSION. OWNERSHIP AND COPYRIGHT OF CONEC GmbH DO NOT ALTER CAD DRAWING BY HAND				tolerance		scale: 2:1 (5:1)
				date	name	material: SEE NOTES
				drawn	03.04.07	Lehmenkühler
				appd.	03.04.07	Mickenbecker
				norm		
			d-old	16K1A1710		title: D-SUB HD FEMALE 26pos. SOLDER PIN STRAIGHT with threaded lock and spacer clip
2 x b	A4452	11.09.2012	K.H.			dwg no: 16K1A2027
a	Original					DIN-A3 sh: 1
rev.	description	date	name	part no: (b) 164□17519X		(see note 3)