

MC4DIG+ICON12W-TPT	1 x 4	16mm Character Height	LCD Module
Specification			
Version: 1	Date: 18/08/2012		
Revision			
1	16/08/2012	First Issue	

Display Features	
Segment Count	1 x 4
Appearance	Black on White
Logic Voltage	5V
Interface	Parallel
Font Set	English / Japanese
Display Mode	Transflective
Character Height	15.80mm
LC Type	TN
Module Size	61.00 x 36.00 x 2.80 mm
Operating Temperature	-20°C ~ +70°C
Construction	COG
LED Backlight	White
Box Quantity	---
Weight / Display	---

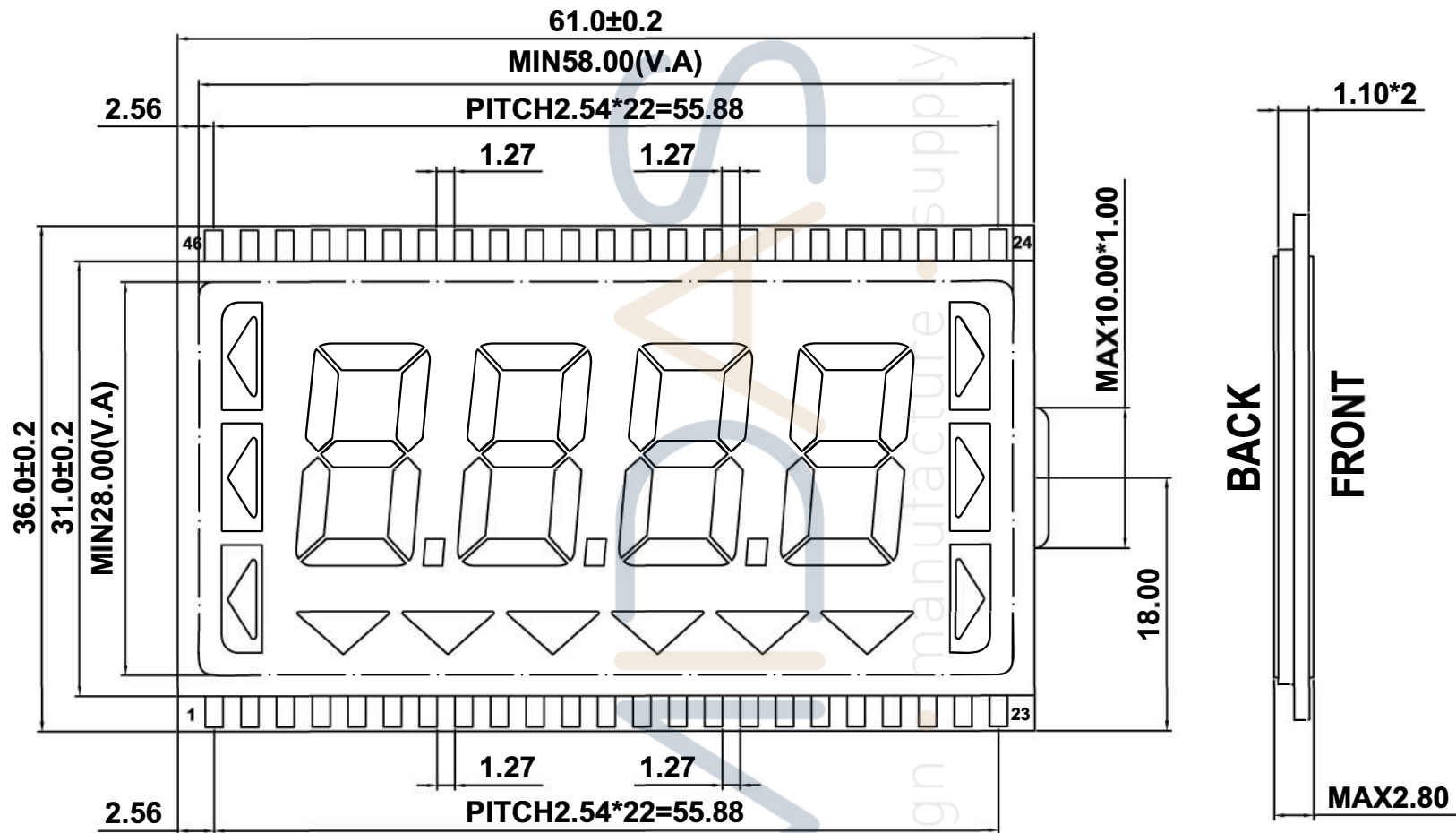


Display Accessories	
Part Number	Description

Optional Variants		
Fonts	Appearances	Voltage



Ver	Date	Modify Contents		
A01	2012-08-16	----		

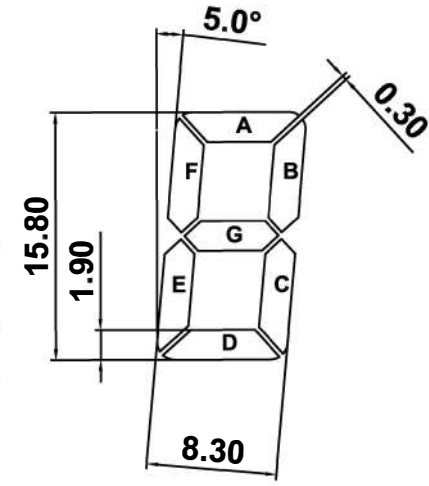
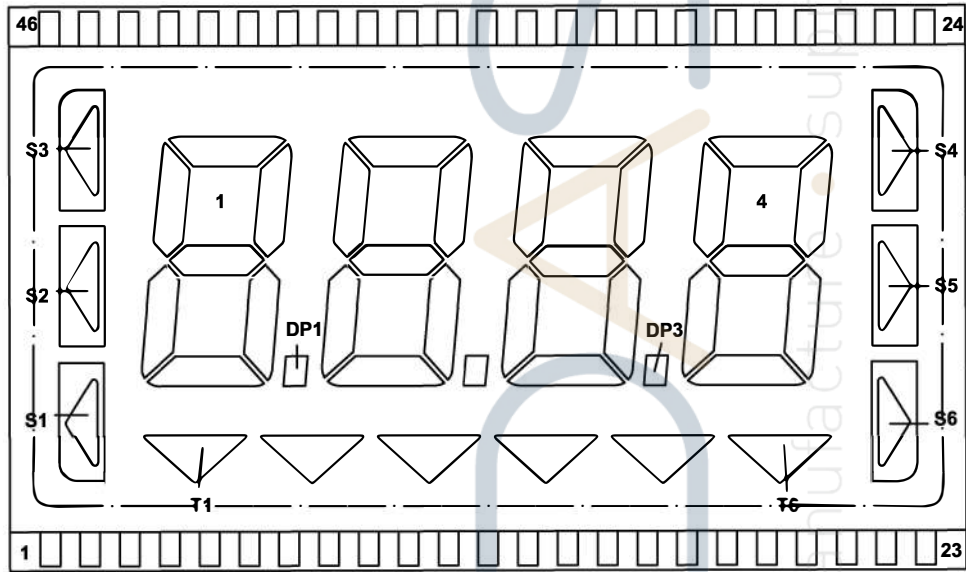


NOTE:


1. DUTY: STATIC
2. VOLTAGE: 5.0V 64HZ
3. VIEWING ANGLE: 12:00
4. DISPLAY TYPE: POSITIVE/TRANSFLECTIVE/TN
5. OPERATING TEMP: -20°C TO 70°C
6. STORAGE TEMP: -30°C TO 80°C
7. CONNECTION: ZEBRA

DRAWING	DRAFT	PRODUCT	MC4DIG+ICON12W-TPT
QC DOC.		OEM CODE	----
UNDECLARED TOLERANCE:			± 0.2
			UNIT:mm
			PAGE:1/1
			ROHS <input checked="" type="checkbox"/>

Ver	Date	Modify Contents		
A01	2012-08-16	----		



PIN	1	2	3	4	5	6	7	8	9	10	11	12	13	14	15	16	17	18	19	20	21	22	23
COM	COM	S1	S2	1E	1D	T1	1C	T2	2E	2D	T3	2C	T4	3E	3D	T5	3C	4E	T6	4D	4C	S5	S6
PIN	24	25	26	27	28	29	30	31	32	33	34	35	36	37	38	39	40	41	42	43	44	45	46
COM		S4	4B	4A	4F	4G	DP3	3B	3A	3F	3G	DP2	2B	2A	2F	2G	DP1	1B	1A	1F	1G	S3	COM

DRAWING	DRAFT	PRODUCT	MC4DIG+ICON12W-TPT
QC DOC.		OEM CODE	----
			 UNIT:mm PAGE:1/1
UNDECLARED TOLERANCE:		±0.2	ROHS <input checked="" type="checkbox"/>