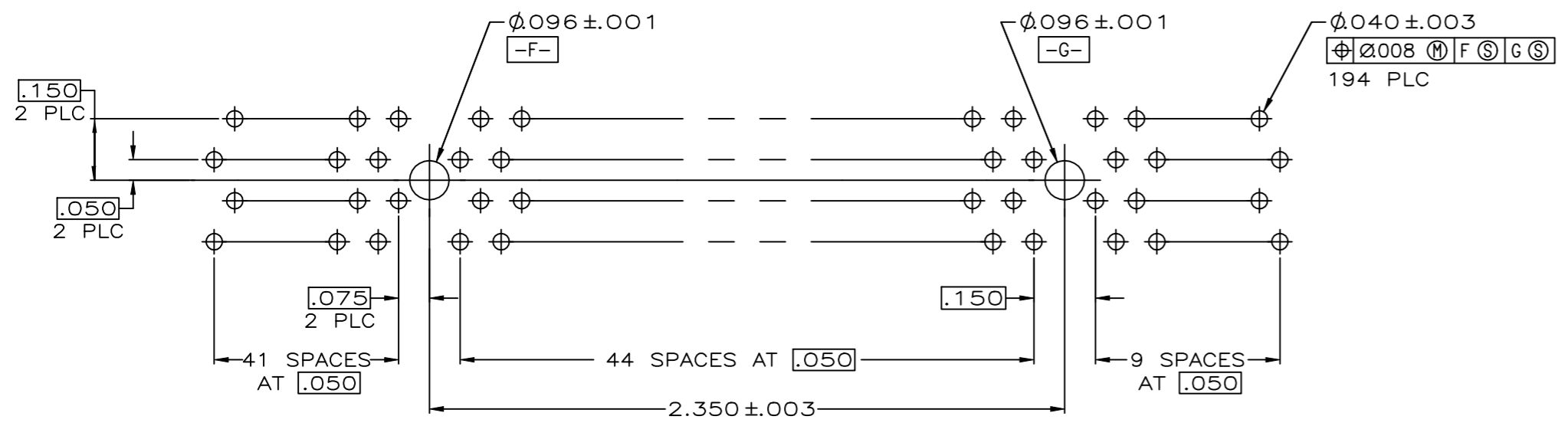
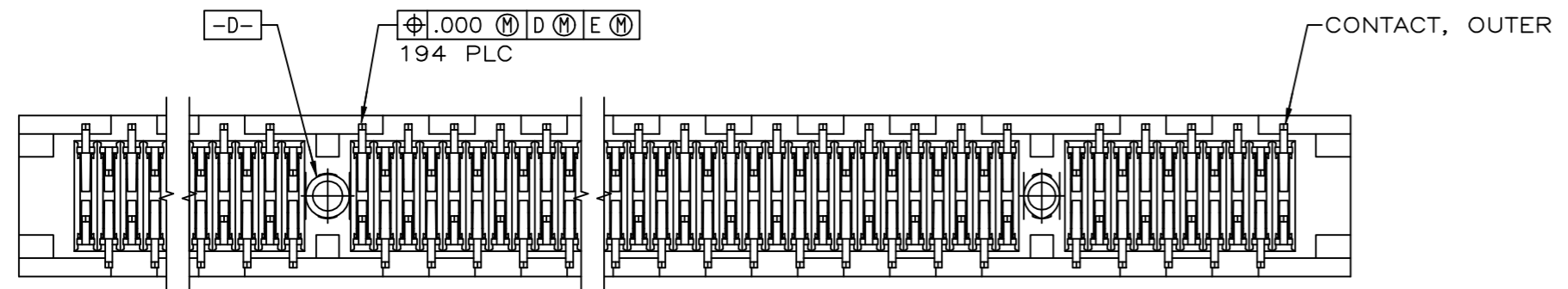
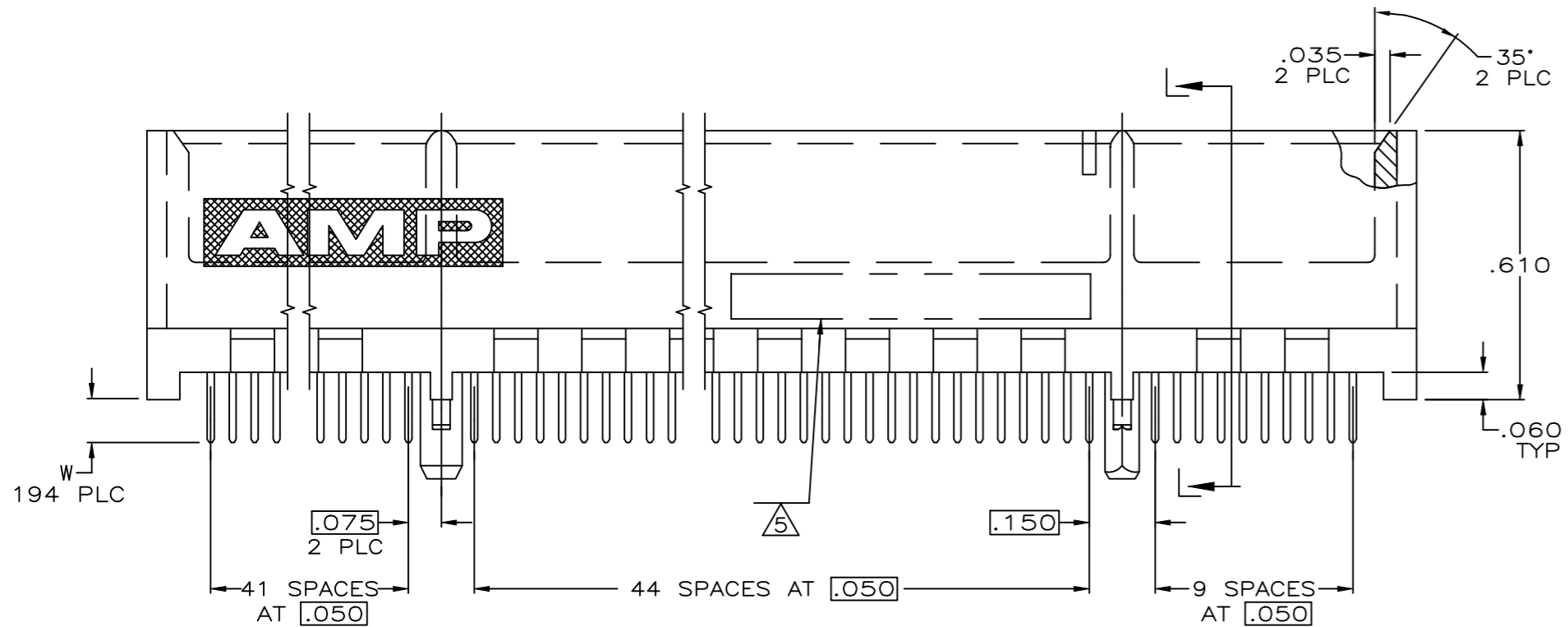
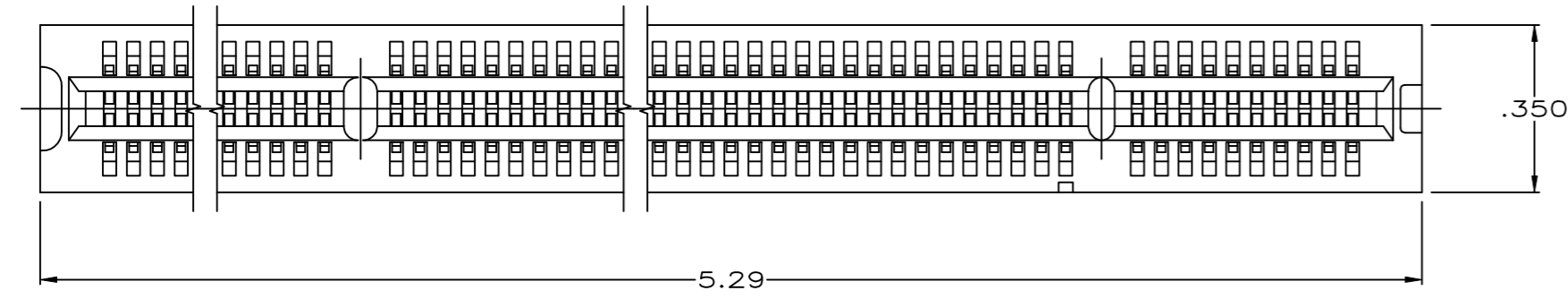
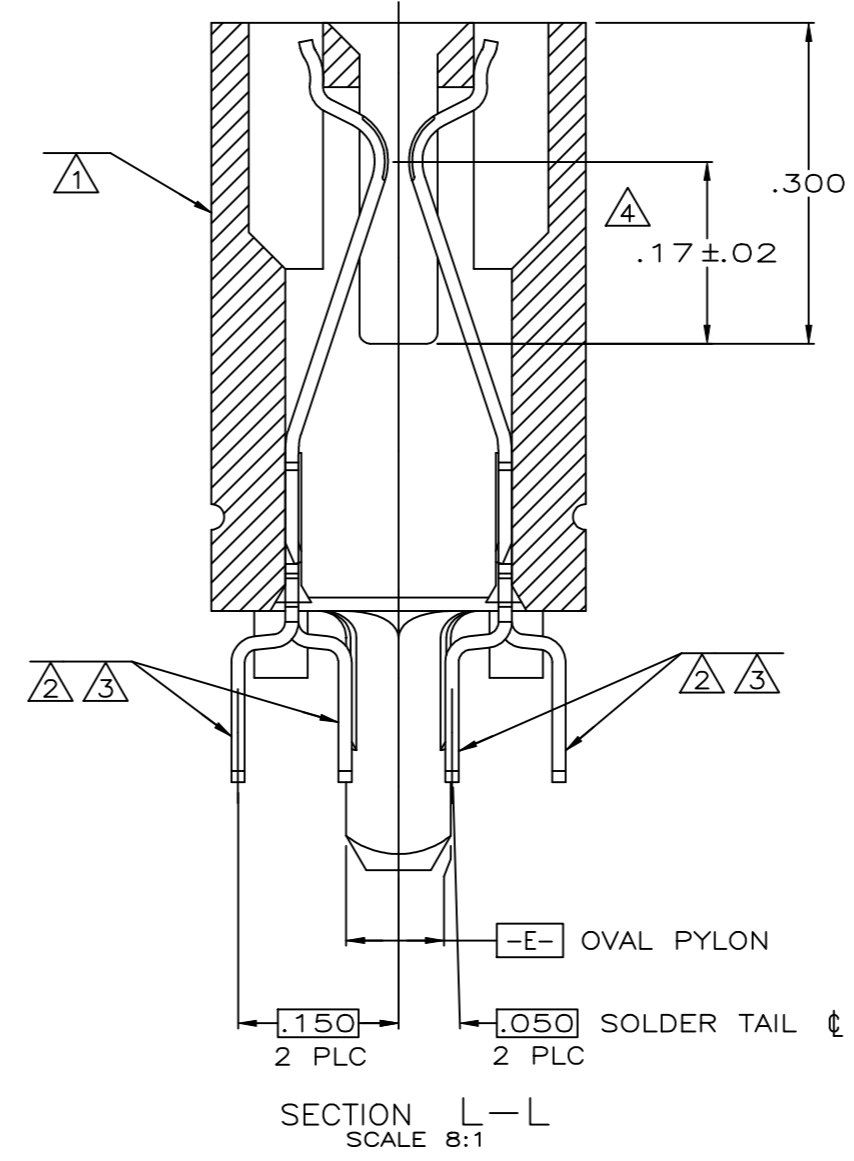


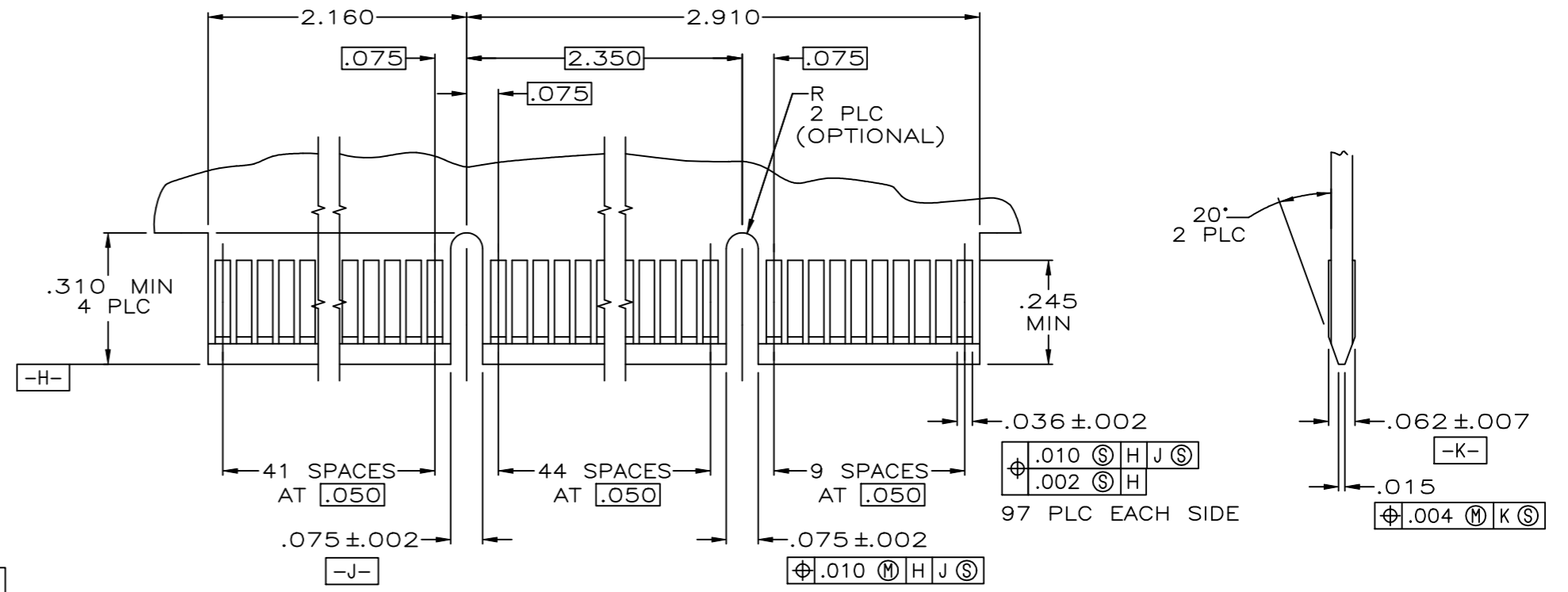
REVISIONS				
P	LTR	DESCRIPTION	DATE	OWN APVD
B		ECO-18-017215	03DEC2018	FL HL



RECOMMENDED CONNECTOR MOUNTING HOLE PATTERN
(CONNECTOR SIDE SHOWN)



- ① HOUSING: HIGH TEMPERATURE THERMOPLASTIC. COLOR: BROWN.
- ② CONTACT: PHOSPHOR BRONZE.
- ③ CONTACT FINISH: .000100 MIN NICKEL ALL OVER. .000030 MIN GOLD OVER NICKEL IN CONTACT AREA. .000100 MIN MATTE TIN OVER NICKEL ON SOLDER TAILS.
- ④ DISTANCE FROM CONTACT POINT TO BOTTOM OF CARD SLOT.
- ⑤ AMP PART NUMBER, DATE CODE AND CSA LOGO MARKED IN APPROXIMATE AREA SHOWN.



RECOMMENDED MATING BOARD EDGE CONFIGURATION

OBsolete	.14	5650706-2
	.10	5650706-1
	W	PART NUMBER

THIS DRAWING IS A CONTROLLED DOCUMENT.		OWN: AL FRANTUM 11 MAY 05	TE Connectivity	
DIMENSIONS: INCHES		CHK: AL FRANTUM 11 MAY 05	NAME	
TOLERANCES UNLESS OTHERWISE SPECIFIED:		APVD: -	PRODUCT SPEC: 108-14034	
0 PLC ± -		APPLICATION SPEC: 114-26012		
1 PLC ± .01		SIZE: A1		
2 PLC ± .01		CAGE CODE: 00779		
3 PLC ± .005		DRAWING NO: 5650706		
4 PLC ± .005		WEIGHT: 0.000000		
ANGLES ± .5°		CUSTOMER DRAWING		
MATERIAL: ① ②		SCALE: 4:1		
FINISH: ③		SHEET 1 OF 1		
		REV B		