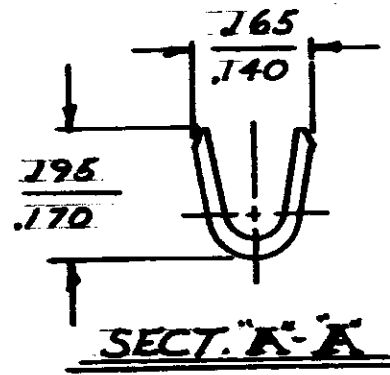
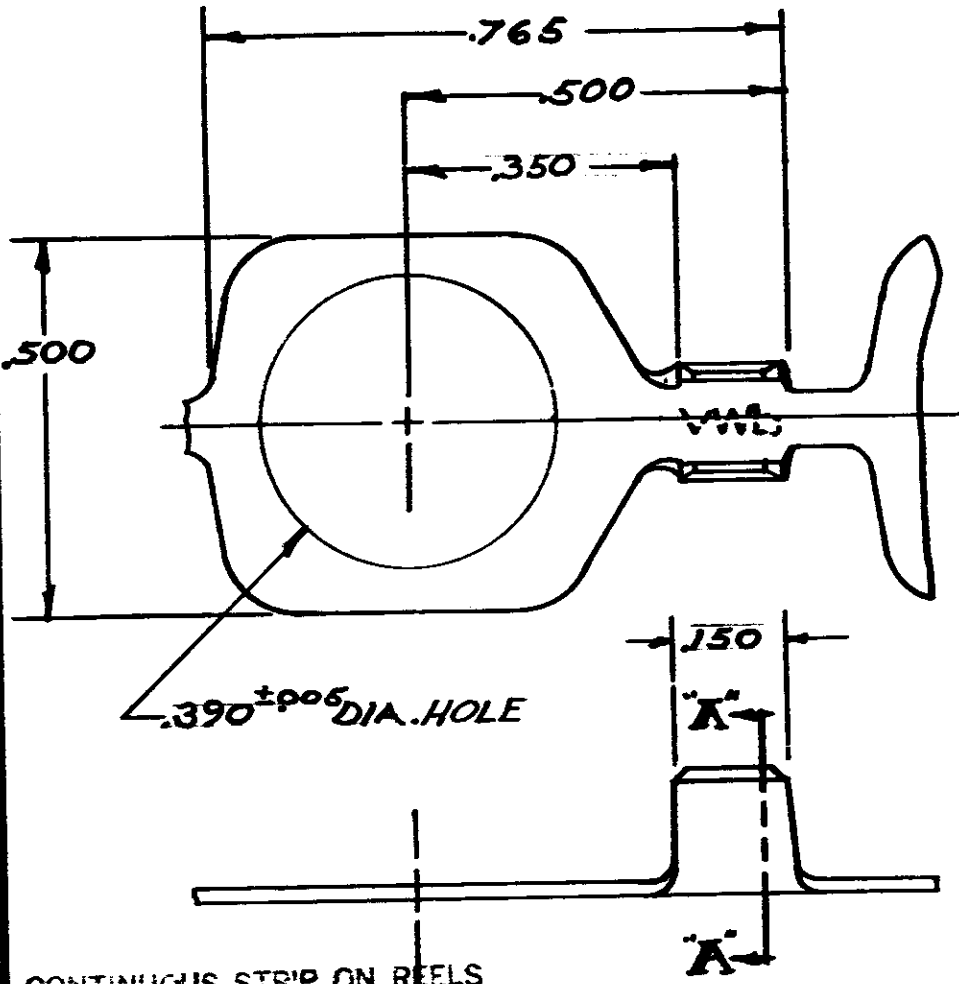


DRAWING MADE IN AMERICAN PROJECTION

NUMBER
61435

5



CONTINUOUS STRIP ON REELS

WIRE SIZE A.W.G.	MATERIAL - FINISH	TERMINAL NUMBER
18-14	.020 BRASS - NONE	61435-1
18-14	.020 BRASS - TIN	61435-2

DIMENSIONS IN INCHES DO NOT SCALE PRINT

Unpublished copy not to be reproduced nor published without written permission of AMP Incorporated

© 1968 BY AMP INCORPORATED. ALL RIGHTS RESERVED. AMP PRODUCTS COVERED BY PATENTS AND/OR PATENTS PENDING.

CUSTOMER COPY
REFERENCE ONLY

MATERIAL AND FINISH
WIRE RANGE INSULATION TYPE



AMP INCORPORATED
HARRISBURG, PENNA.

REV	DESCRIPTION	BY	DATE
C	REV PER AF-6785	WJ	7/90
B	OBS - 2 PER A-5143	WJ	7/24/61
A	RELEASED	WJ	7/9/60

REVISION RECORD

DR: N.E. NEFF 7-9-68
CHK: M.P. Frantz 7-9-68

DR: M.P. Frantz 7-9-68
CHK: M.P. Frantz 7-9-68

TOLERANCE EXCEPT AS NOTED ± .015 ± 1" 0'

SCALE: N

LOC: A

NO: 61435

REV: C

NAME: RING