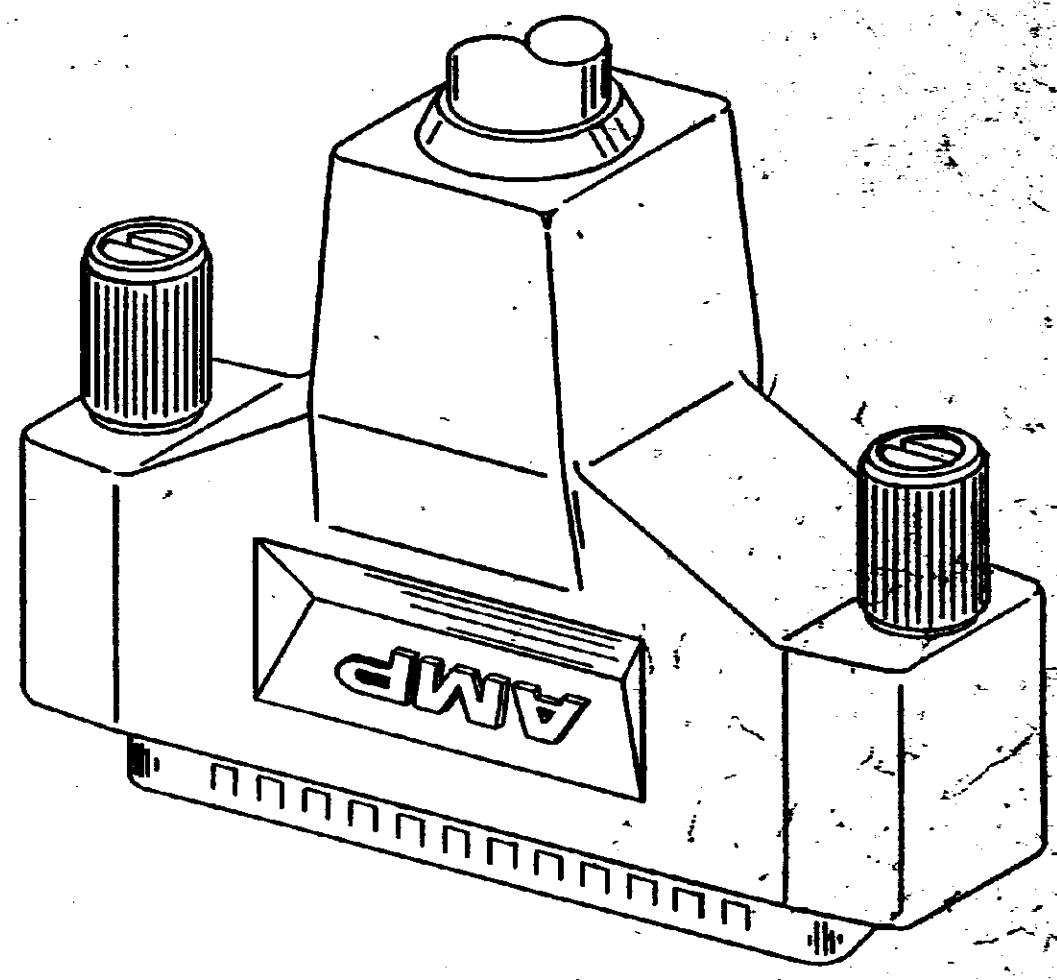
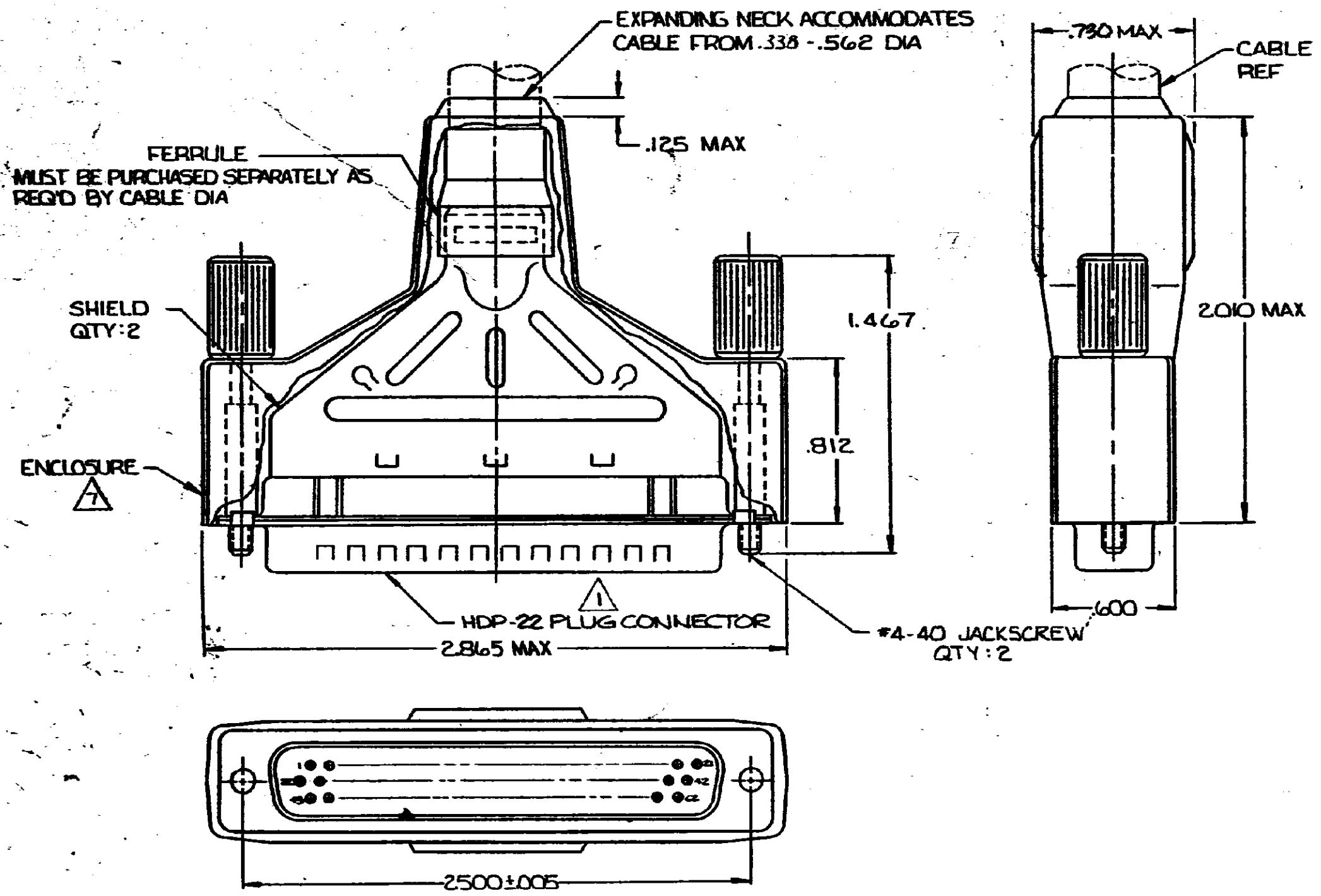


DRAWING MADE IN THIRD ANGLE PROJECTION

THIS DRAWING IS UNPUBLISHED. RELEASED FOR PUBLICATION. 19
 COPYRIGHT 19 BY AMP INCORPORATED, HARRISBURG, PA. ALL INTERNATIONAL RIGHTS RESERVED. AMP PRODUCTS MAY BE COVERED BY U.S. AND FOREIGN PATENTS AND/OR PATENTS PENDING.

REVISIONS				
P	F	ZONE/LTR	DESCRIPTION	DATE APPROVED
Q			RELEASED, WAS 86-5520-4	
A			REVISED - ECN BD2607	7-31-87 (RW)
B			REVISED - ECN BD 2645	7-30-88 (RW)
C			REV PER ECN BD2328	2-07-88 (RW)
D			REV PER ECN BD 4457	12-10-90
E			REVISED PER ECN BD6133	4-6-92 TMS



- 1. PLUG ACCEPTS SIZE 22 DF PIN CONTACTS, CONTACTS MUST BE PURCHASED SEPARATELY.
- 2. ALL PARTS SHIPPED UNASSEMBLED, EACH PART INDIVIDUALLY BULK PACKED.
- 3. FLAME RETARDANT 94V-0 RATED, GLASS FILLED, NYLON OR POLYESTER, COLOR: BLACK.
- 4. STEEL PER ASTM A109.
- 5. TIN PLATING PER MIL-T-10727.
- 6. ZINC PLATING PER ASTM B633, TYPE II, CLASS SC1, BLACK CHROMATE.
- 7. FLAME RETARDANT 94 V-0 RATED, STYRENE POLYOLEFIN OR PVC, BLACK.

UNLESS OTHERWISE SPECIFIED DIMENSIONS ARE IN INCHES.		CONTRACT NO		748476-1	
TOLERANCES ON: DECIMALS ± .020 ANGLES ± .020		OR 3-10-87		PART NO	
MATERIAL INSERT: A SHELLS & SHIELDS: A JACKSCREWS: ZINC ALLOY		DESIGN APPD 3/11/87		AMP AMP INCORPORATED Harrisburg, Pa. 17105	
FINISH SHELLS & SHIELDS: A JACKSCREWS: A		OTHER APPD		NAME SHIELDING ENCLOSURE KIT, PLUG, SIZE 4, 62 POSN, AMPLIMITE® HDP-22	
		SIZE		DRAWING NO	
		C		00779 748476	
		SCALE		SHEET	
		2:1		1 OF 1	

CUSTOMER DRAWING