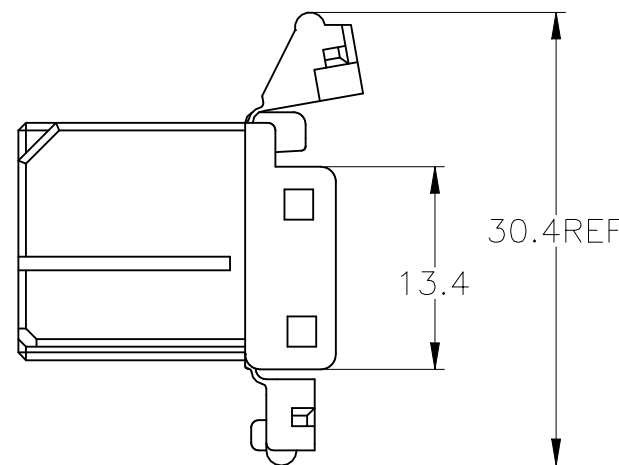
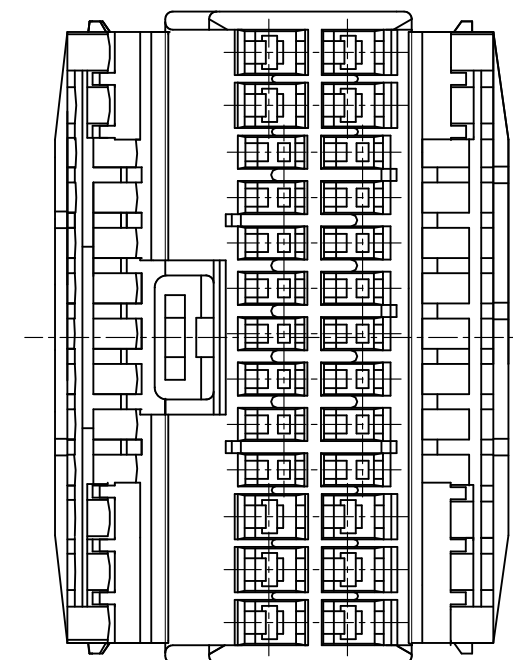
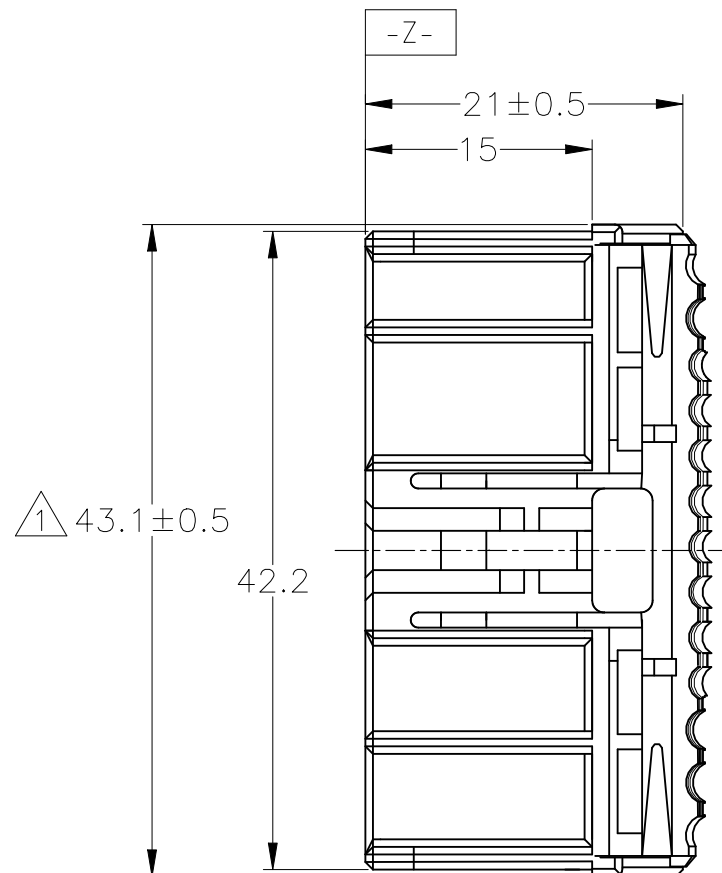
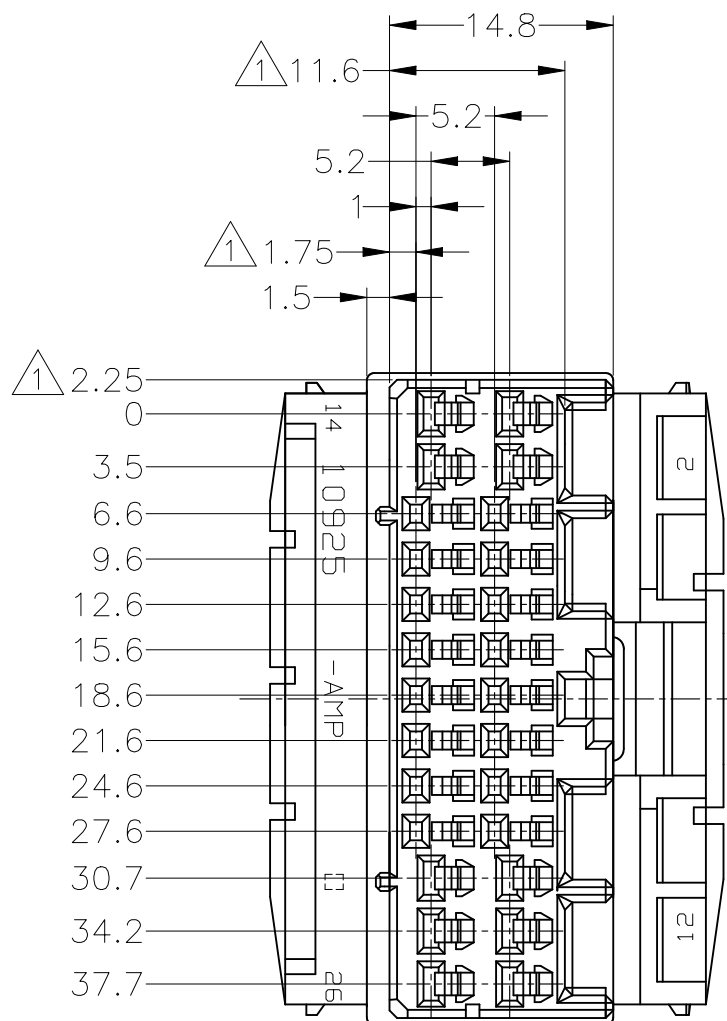


REVISIONS

P	LTR	DESCRIPTION	DATE	DWN	APVD
	C2	REVISED	ECR-22-127377	24JAN2022	DM RK



- ① MUST BE KEPT BETWEEN **-Z-** AND 2mm
- 2. THE MATING CAP HOUSING PART NUMBER ; 178762, 5178762, 176242, 175569
- 3. APPLIED CONTACT PART NUMBER ; 173716, 173630, 173631, 175094
- 4. APPLICABLE PRODUCT SPEC NO. 108-5280

- ① **-Z-** 面より 2mm の範囲で測定。
- 2. 嵌合相手ハウジング型番 ; 178762, 5178762, 176242, 175569
- 3. 内装するリセプタクルコンタクト型番 ; 173716, 173630, 173631, 175094
- 4. 適用製品規格番号 ; 108-5280

灰 GRAY	175567-6
青 BLUE	175567-5
白 WHITE	175567-1
色 COLOR	PART NUMBER

TOLERANCE UNLESS OTHERWISE SPECIFIED:	
一般公差	
0 < x ≤ 10	: ±0.2
10 < x ≤ 30	: ±0.25
30 < x ≤ 100	: ±0.3
ANGLE ; 角度	: ±3°

THIS DRAWING IS A CONTROLLED DOCUMENT.	
DIMENSIONS: mm	TOLERANCES UNLESS OTHERWISE SPECIFIED:
	0 PLC ± -
	1 PLC ± -
	2 PLC ± -
	3 PLC ± -
	4 PLC ± -
MATERIAL PBT	ANGLES ± -
	FINISH -

DWN T.SHINOHARA 07SEP10	<b>STE</b> TE Connectivity	
CHK K.BETSUI 07SEP10		
APVD K.BETSUI 07SEP10	NAME	
PRODUCT SPEC SEE NOTE 4	040/070 SERIES HYBRID I/O CONNECTOR 26POSITION PLUG HOUSING	
APPLICATION SPEC	SIZE	CAGE CODE
WEIGHT	A3	00779
CUSTOMER DRAWING	DRAWING NO	RESTRICTED TO
	C-175567	-
SCALE 2:1	SHEET 1 OF 1	REV C2