

DUAL 4-INPUT GATES

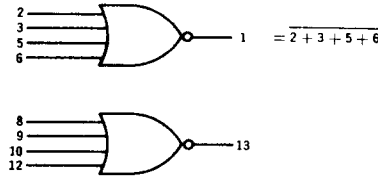
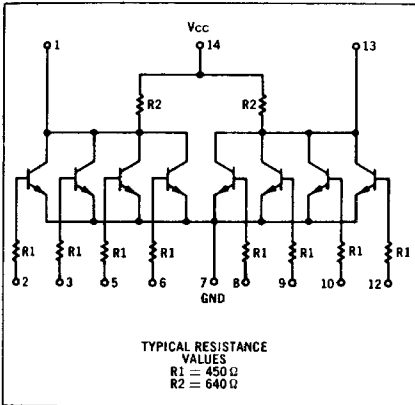
MRTL MC900/800 series

**MC925 • MC825**

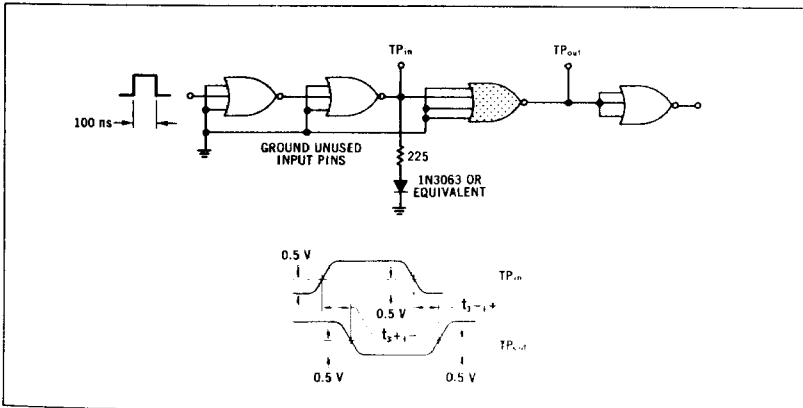


Available in TO-86 Flat Package, Add "F" Suffix.

Two 4-input positive logic NOR gates in a single package may be used independently, paralleled for increasing the number of inputs (subject to loading rules), or cross-connected to form bistable elements.

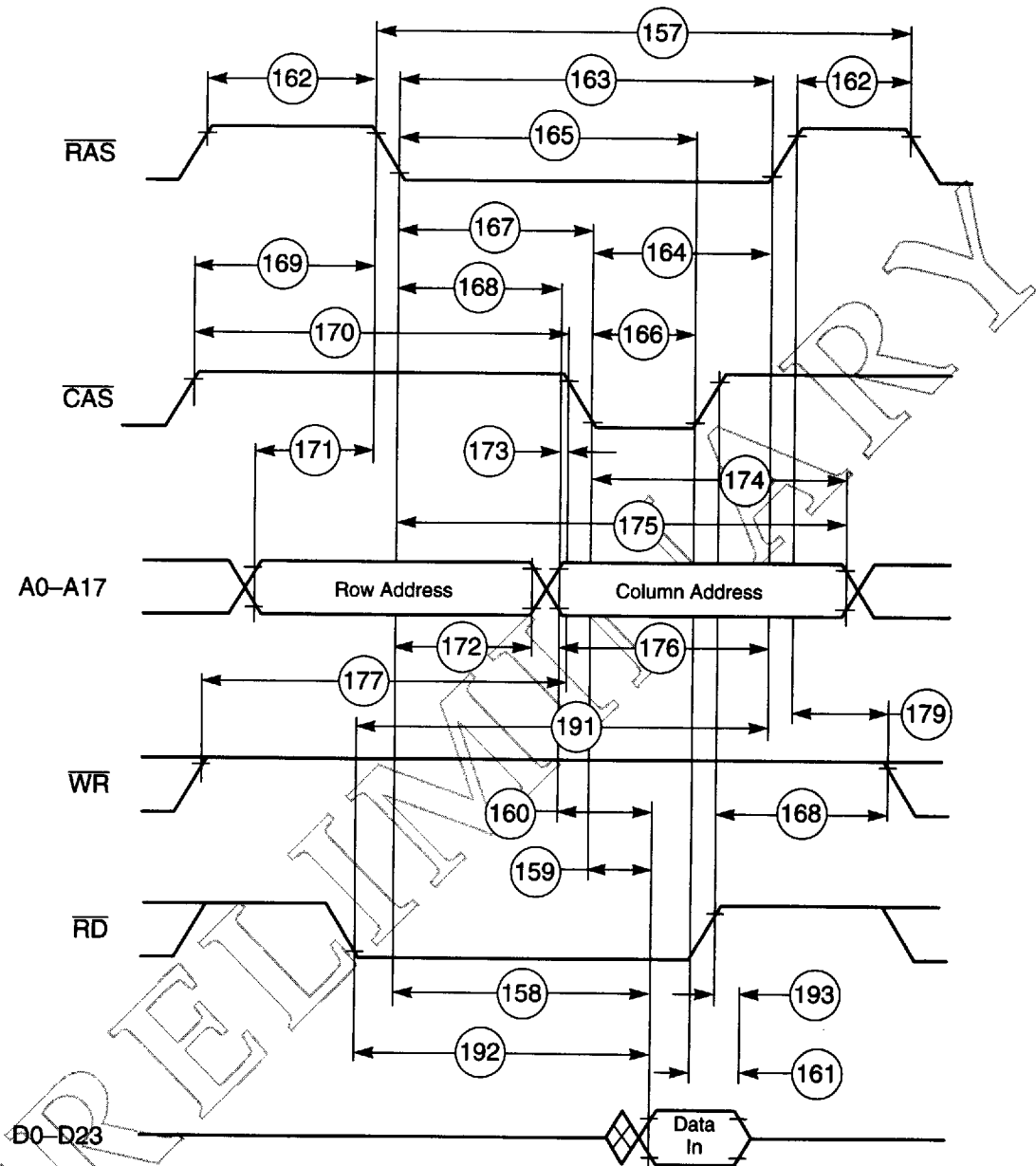


**SWITCHING TIMES TEST CIRCUIT AND WAVEFORMS**



40





AA0476

Figure 2-18 DRAM Out-of-Page Read Access

Preliminary Data