



MADE
IN THE **USA**

Product Description:

- Gown Dispenser - Bulk - 4"
- Holds gowns, aprons, or coveralls/jumpsuits
- Top loading, bottom dispensing
- Unit is no more than 4" deep, ADA and CMS Wall Protrusion Compliant
- Dust-reducing, flanged, pivot hinge lid
- Keyholes for wall mounting or cutout for use with BOWMAN® hanger
- Clear PETG Plastic

Primary Area for Product Usage:

- Anywhere personal protective equipment is needed

Dispenses:

- Flat-pack gowns, aprons, or coveralls/jumpsuits - approximately 1 package (quantity varies with type of gown)
- Disposable or reusable gowns, aprons, or coveralls/jumpsuits no larger than 14.23"W x 14.88"H x 3.46"D (36.1 cm x 37.8 cm x 8.8 cm)

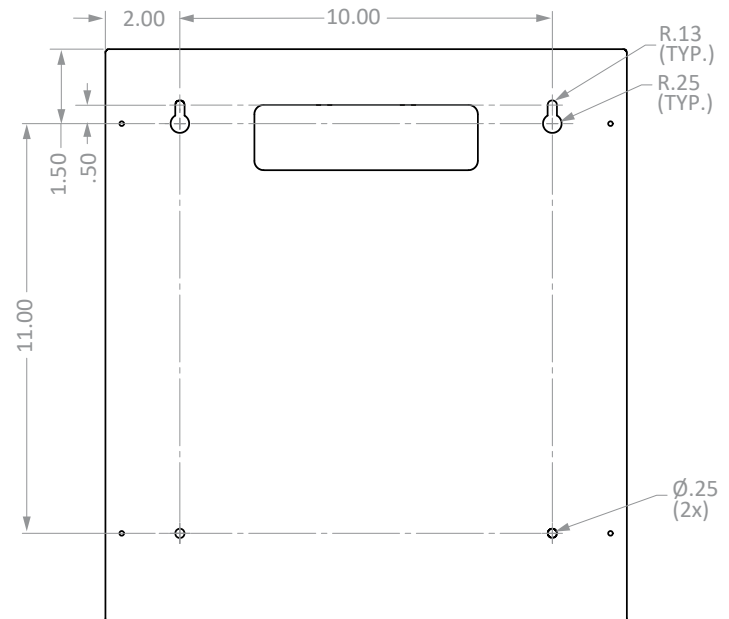
Package Specifications:

- Package Quantity: 1 per case
- 18"L x 6"W x 29"H (45.7 cm x 15.2 cm x 73.7 cm)
- 5.0 lbs (2.3 kg) - approximated

Product Specifications (overall external dimensions):

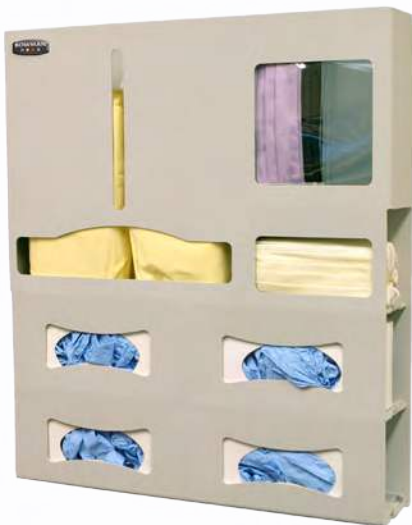
- 14.63"W x 15.34"H x 4.00"D (37.1 cm x 39.0 cm x 10.2 cm)
- 2.8 lbs (1.3 kg) - approximated

Mounting Specifications:



Related Products (each sold separately):

- PS412-0212: Protection System - Quad Glove - 4" (shown below)

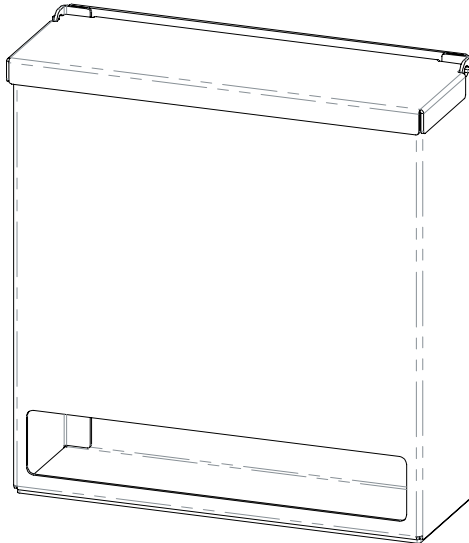




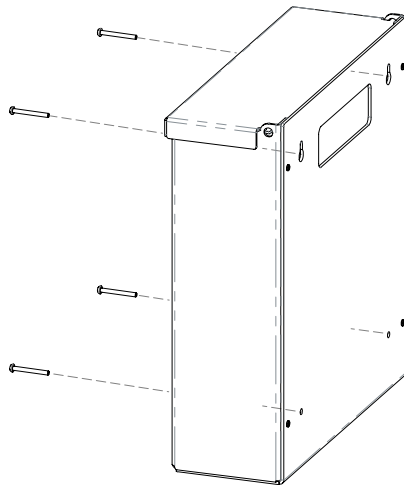
Installation

Always mount dispensers securely *prior* to loading with product.

- Flanged lid helps keep contents free of dust and debris.



- Mount securely to a wall with screws approved and supplied by building maintenance.
- Dispenser can be mounted onto a BOWMAN® door or wall hanger through the cutout in the back. (Please see chosen hanger datasheet for details.)



Parts included:

- Dispenser

Tools Required:

- No tools required to assemble dispenser

Care and Construction

PETG Plastic

Material Characteristics

Designed for Long-Term Heavy-Duty Applications

Copolyester resin is designed for heavy-duty applications, and is used by BOWMAN® Dispensers. We never use acrylic in our products.

Copolyester (PETG) is typically 15-20 times tougher than general purpose acrylic. PETG is made to withstand handling and reduce losses due to breakage.

PETG resists a variety of chemicals and commonly used cleaning agents. It is tough and durable (not brittle), providing years of trouble-free functionality and long life.

Clear optical characteristics mean the viewer can see the content, read text, and see true colors through the material. It complies with FDA regulations for food contact.

Care and Cleaning

Most cleaning chemicals do not weaken the surface or cause damage to the material. Suggested cleaning method is to use a soft cloth, warm water, and mild soap.