

Currency: 

Your Account | 0 Item(s)

[home](#) | [products](#) | [search](#) | [news](#) | [ordering](#) | [distributors](#) | [contact us](#) | [downloads](#) | [login](#)
[Order Information](#) | [Device Support](#) | [Features](#) | [Software](#) | [System Contents](#) | [Upgrades](#) | [Associated Products](#) | [Downloads](#) | [News](#)


## EPSILON5 - Portable ISP Programmer and Atmel AT91SAM7 JTAG Device Library bundle



The Epsilon5 Portable USB ISP Programmer is a high-speed development / field / production programmer supporting most in-system programmable (ISP) microcontrollers from Atmel, Philips and Zensys. The programmer can be operated under PC control during development and for project configuration / uploading using the EQTools Toolsuite. For field / production applications the unit is designed to operate in 'Standalone Mode'. A 'Programming Project' can be recalled from the on-board non-volatile FLASH memory and programmed into a Target System by pressing a single key. All the popular ISP headers are catered for including the new JTAG ISP Port required for fast programming of the Atmel ATmega AVR and AT91SAM7 families.

The Device Library supports In-System Programming (ISP) of the Atmel AT91SAM7 "S", "SE", "A" and "L" families of ARM7 microcontrollers. This solution is aimed at high throughput production users who require the fastest possible programming of the on-chip FLASH memory of any AT91SAM7 microcontroller. The standard ARM JTAG Debug Port is used as the programming interface so no extra pins are needed to facilitate the ISP functionality.

*Ideal programmer for development, field service and production applications*

### Features

- ▶ [Supports PC Controlled and Standalone Programming](#)
  - ▶ [Main features](#)
  - ▶ [Controlled / configured by Equinox EQTools Software](#)
  - ▶ [Supports all popular ISP Headers to connect to the Target System](#)
  - ▶ [Features of AT91SAM7 Device Library](#)
  - ▶ [AT91SAM7 ISP Connections](#)
  - ▶ [AT91SAM7 ISP Connector Cables for portable programmers](#)
  - ▶ [Device Support](#)
- 
- ▶ Supports PC Controlled and Standalone Programming
    - Development Mode - using Equinox Development Suite (EDS) under PC control
    - Standalone Mode - ideal for field or small-scale production use (no PC required)
  - ▶ Main features
    - Fastest programming times possible due to on-board data, high-speed SPI and JTAG port
    - Supports programming of FLASH, EEPROM, FUSE bits, Security bits and RC Oscillator Calibration bytes
    - 2Mbits of on-board non-volatile FLASH memory for user project storage (Standalone Mode)
    - SCK2 Oscillator signal for externally clocking ATmega & ATtiny microcontrollers during programming
    - On-board +12V Vpp generator for programming Atmel ATtiny11/12/15 microcontrollers in 'High voltage Serial Mode'
    - JTAG Port - FAST ISP using JTAG algorithm (license upgrade)
  - ▶ Controlled / configured by Equinox EQTools Software
    - Equinox Development Suite (EDS)
    - Project Builder - to create/edit Programming Projects
    - Project Manager - to create and maintain Project Collections
    - Project Upload / Download Utility - to upload projects to the programmer for use in Standalone Mode
  - ▶ Supports all popular ISP Headers to connect to the Target System
    - Atmel 10-way SPI Header (as per STK200 / STK500)
    - Atmel 6-way SPI Header
    - Equinox 10-way SPI header with support for Slave Select & SCK2
    - Atmel 10-way JTAG header (as per Atmel JTAG-ICE)
    - Equinox 10-way UART header for Atmel T89C51Rx2 (8051) and Philips P89C51 ISP FLASH microcontrollers

### Product Information

**Product:** EPSILON5 - Portable ISP Programmer and Atmel AT91SAM7 Device Library bundle

**Manufacturer:** [Equinox Technologies](#)

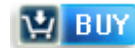
**Order Code:**

**Equinox:** EPS-AT91SAM7JTAG BUNDLE

**Digi-Key:** 483-1017-ND

**Availability:** 4 in stock

**Price:** 229.95 (GBP)  
[Excl. VAT]



### Overview Product



**EPSILON5 MKII - Portable high-speed USB In-System (ISP) Programmer Overview**  
>>

### System Contents



[View System Contents](#)

### Device Support

[Device Support List](#)

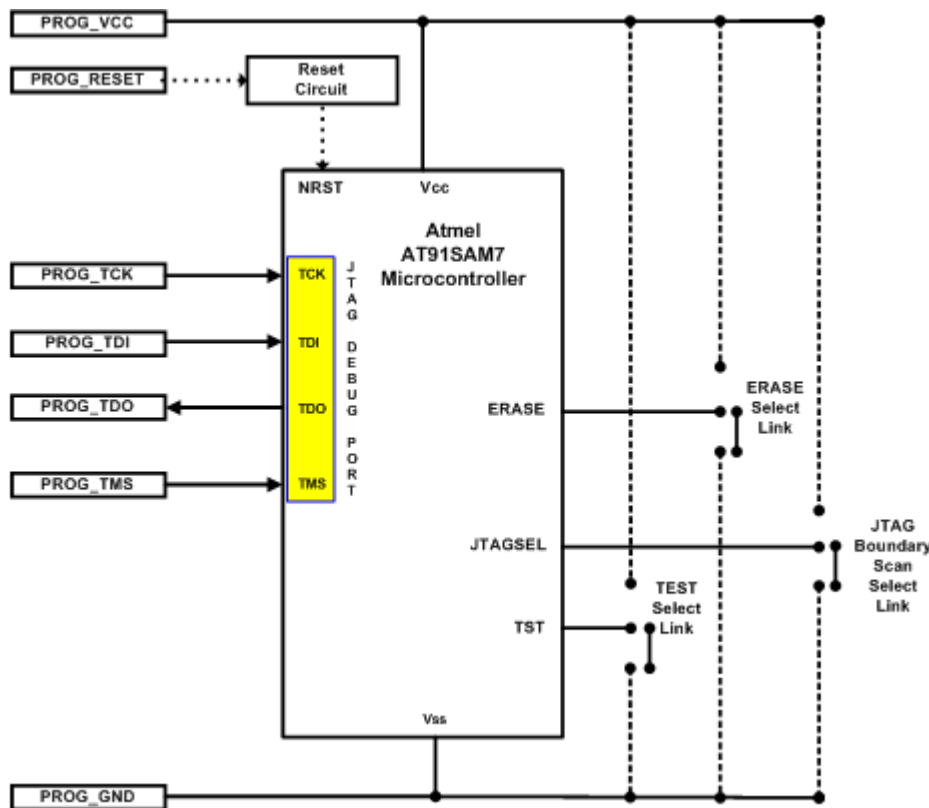


Search

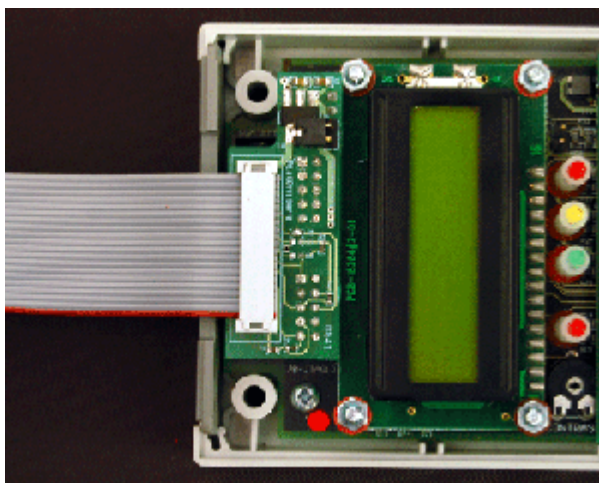
► Features of AT91SAM7 Device Library

- High-speed In-System Programming (ISP) support of Atmel AT91SAM7 microcontrollers
- Programs the on-chip FLASH Memory of AT91SAM7 devices
- Uses standard ARM JTAG port as the ISP interface
- Very high-speed programming due to local data storage and optimised programming algorithms
- Programmers can be used in "Standalone Mode" (no PC) - Up to 64 SAM7S Programming Projects can be stored inside an FS003, PPM3-MK2 or PPM4-MK1 programmer
- Supports high-speed program / verify of the on-chip FLASH in a single operation.
- Optimised Erase operations blanks the on-chip FLASH in less than 200ms
- Supports programming of non volatile Fuse Bits
- Supports blowing of the "Security Fuse" to protect code from being read out

► AT91SAM7 ISP Connections



► AT91SAM7 ISP Connector Cables for portable programmers



A special AT91SAM7 ISP cable has been developed which connects between an Equinox portable ISP programmer and any SAM7 Target System.

**Device Support (by manufacturer)**

This product supports devices from the manufacturers listed below:

**Further Information**



**Downloads**

[View Downloads for this Product](#)

**Product Software**



**Product News**

**13 January 2009:**  
Cost-effective programmer 'Bundles' available for Equinox - Epsilon5 & FS2009 >>

**05 May 2008:**  
New Equinox Programmer Firmware Version 2.0 >>

**05 May 2008:**  
Atmel 24Cxxx Serial EEPROM Memory programming support >>

**14 March 2008:**  
Equinox announce ISP support for Atmel ATmega88xP 'PICO Power' AVR Family >>

**14 March 2008:**  
Equinox announce ISP support for Atmel AT90USB AVR Family >>

**12 October 2007:**  
EQUINOX ON-LINE ORDERING AVAILABLE >>

**01 July 2007:**  
Digi-Key now distribute Equinox products in Europe & Asia along with North America, South America and Canada. >>

**Product Upgrades**

**ASCII Text Mode**  
ASCII Text Communications Serial Control Protocol for Equinox Programmers >>

Atmel Corporation  
 NXP (Philips)  
 ON Semiconductors (Catalyst)  
 Zensys

The following are available as chargeable upgrades: JTAG In-System Programming support for the Atmel ATmega AVR Family and 24Cxxx - Serial I2C EEPROM Memory Device Library. See [Upgrades] tab.

**Please note:**

Not all devices may be supported within a family.  
 Please see the [Detailed Device Support List](#) for a list of all devices which the product supports.

**Ordering Information...**

**EPSILON5 - Portable ISP Programmer and Atmel AT91SAM7 JTAG Device Library bundle**

EPSILON5 MKII - Portable high-speed ISP Programmer for Atmel, NXP and Phillips Microcontrollers and Atmel AT91SAM7 JTAG Device Library Licence (UPG15) bundle.

Manufacturer: [Equinox Technologies](#)

Order Code:

Equinox: **EPS-AT91SAM7JTAG-BUNDLE**

**Digi-Key** 483-1017-ND



Quantity	Price (GBP) [Excl. VAT]
1 - 4	229.95
5 - 9	218.45
10 - 24	206.96
24 and above	195.46



**Availability:**  
4 in stock

For further information about related products, please see the [Overview Product](#).



Atmel AT91SAM7 ARM FLASH Microcontroller  
[AT91SAM7 JTAG Device Library Licence - Overview >>](#)

**ConsoleEDS**

[ConsoleEDS - Overview >>](#)



[EQTools Script Builder License Upgrade >>](#)



[ISP-PRO Upgrade >>](#)



[JTAG In-System Programming \(ISP\) Support for Atmega AVR Microcontrollers >>](#)



[LabView Control Upgrades >>](#)



[Remote Application Control of Equinox Programmers - Overview >>](#)



[24xxx - Serial I2C EEPROM Memory Device Library - Overview >>](#)



[Standalone Project Upload Utility Overview Product >>](#)

**Associated Products**

**Cables**



[AT91SAM7 20-wire Connector Cable for Epsilon5, FS2003 and FS2009 programmers >>](#)

**Evaluation Modules (Microcontroller)**



[Olimex - SAM7-Header Development Board for AT91SAM7S and ARM7TDMI-S MCUs >>](#)

**Starter Systems (Microcontroller)**



[Olimex - SAM7-E Development Board for AT91SAM7S and ARM7TDMI-S MCUs >>](#)



**Olimex - SAM7-H  
HEADER  
DEVELOPMENT  
FOR AT91SAM7S  
ARM7TDMI-S MC**



**Olimex - SAM7-L  
DEVELOPMENT  
FOR AT91SAM7E  
ARM7TDMI-S MC**



**Olimex - SAM7-M  
DEVELOPMENT  
FOR AT91SAM7S  
ARM7TDMI-S MC**



**Olimex - SAM7-P  
DEVELOPMENT  
FOR AT91SAM7S  
ARM7TDMI-S MC**



**Olimex - SAM7-P  
DEVELOPMENT  
FOR AT91SAM7S  
ARM7TDMI-S MC**

[Home](#) | [Contact Us](#) | [Privacy Policy](#) | [Refund Policy](#) | [Delivery Policy](#)

Tel: +44 (0)1942 841975 Fax: +44 (0)1942 844181 email: [info@equinox-tech.com](mailto:info@equinox-tech.com)  
(C) 1995 - 2008 Equinox Technologies UK Ltd.