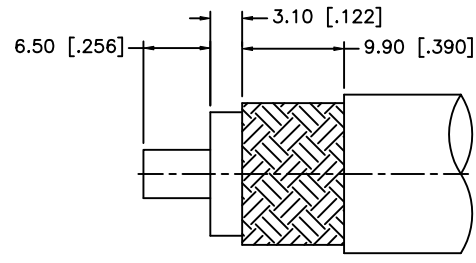
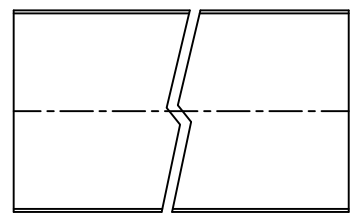
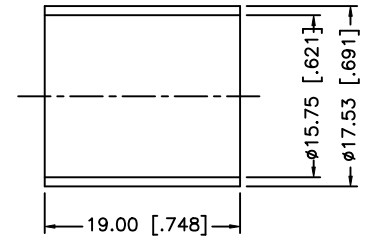
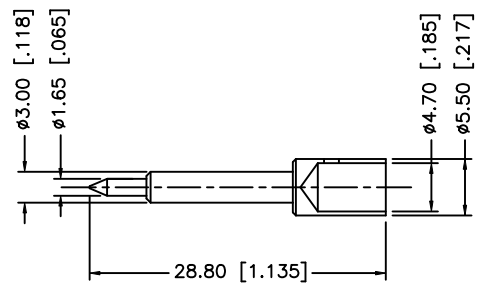
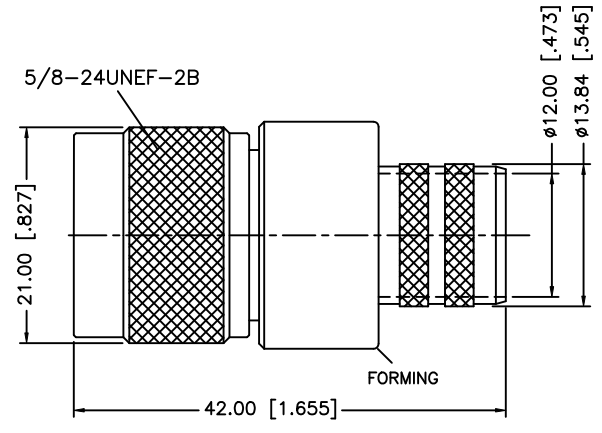


REV.	DATE	ECR NO.	DESCRIPTION
A	01/30/04	-	UPDATE DRAWING FORMAT
B	09/23/08	100043	REVISE HEX CRIMP DIMENSIONS (NOTES 1 AND 2)



RECOMMENDED  
CABLE STRIPPING DIM'S



HEAT SHRINK TUBE

- NOTE:
1. CRIMPED FERRULE HEX CRIMP SIZE .610" [15.50]
  2. CONTACT PIN TO SOLDER.

8			
7			
6			
5	HEAT SHRINK TUBE		1
4	FERRULE	COPPER	NEXCOTE 1
3	CONTACT PIN	BRASS	GOLD 1
2	INSULATOR	PTFE	NATURAL 1
1	BODY	BRASS	NEXCOTE 1
	DESCRIPTION	MATERIAL	FINISH QTY

UNLESS OTHERWISE SPECIFIED DIMENSIONS ARE IN MILLIMETERS. DIMENSIONS IN [ ] ARE IN INCHES AND FOR CUSTOMER REFERENCE ONLY.

UNLESS OTHERWISE SPECIFIED TOLERANCES FOR MILLIMETERS ARE:  
0.5 - 8mm ± 0.20mm  
8 - 30mm ± 0.40mm  
30 - 120mm ± 0.50mm

UNLESS OTHERWISE SPECIFIED TOLERANCES FOR INCHES ARE:  
.020 - .315 ± 0.007"  
.315 - 1.180 ± 0.015"  
1.180 - 4.724 ± 0.020"

DO NOT SCALE DRAWING

APPROVALS	DATE
DRAWN GRS	09/23/08
CHECKED	
ISSUED	
SHEET 1 OF 1	
CAD FILE	C:/172/172206.DWG

**Amphenol Connex**

PART DESCRIPTION  
**N CRIMP PLUG - LMR 600 CABLE**

PART NO. **172206**

DWG. NO. 172206.DWG	REV. B	SIZE A	SCALE NA
---------------------	--------	--------	----------