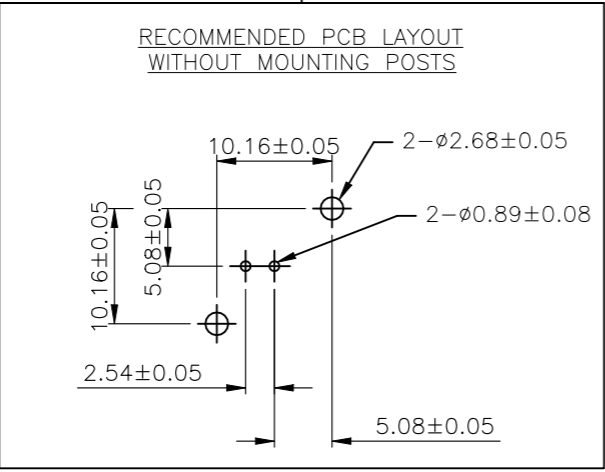
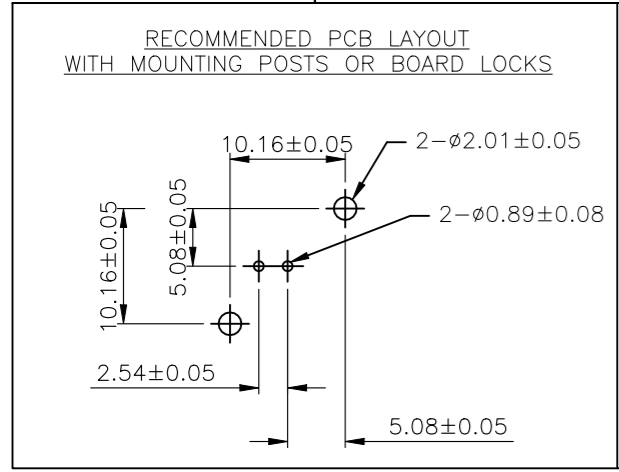
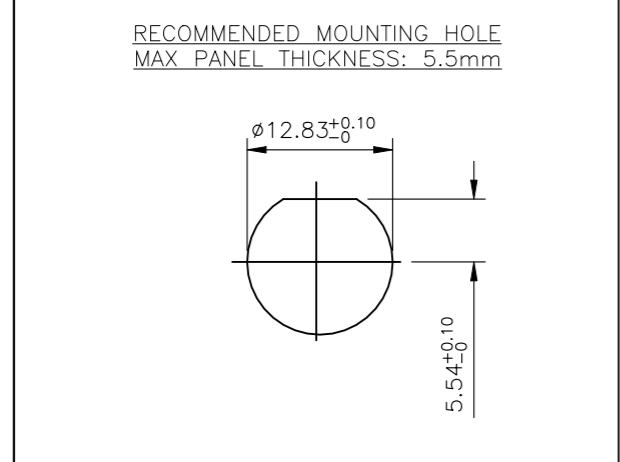
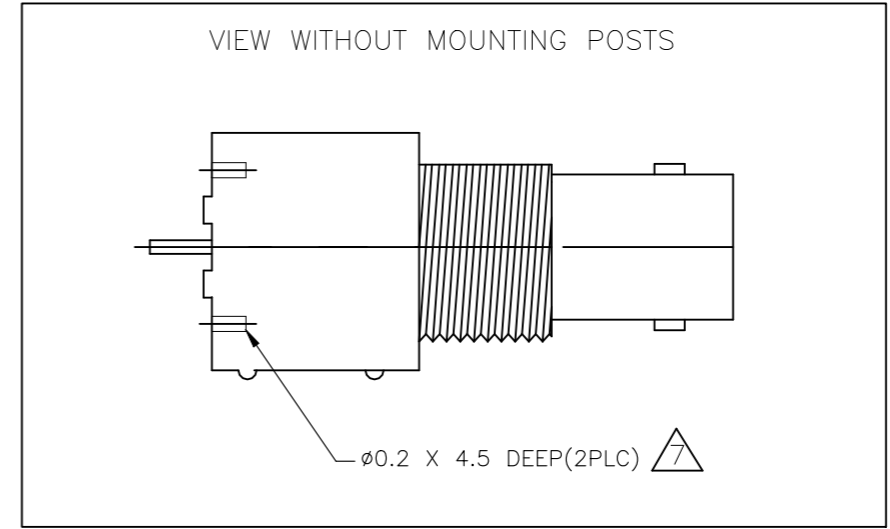
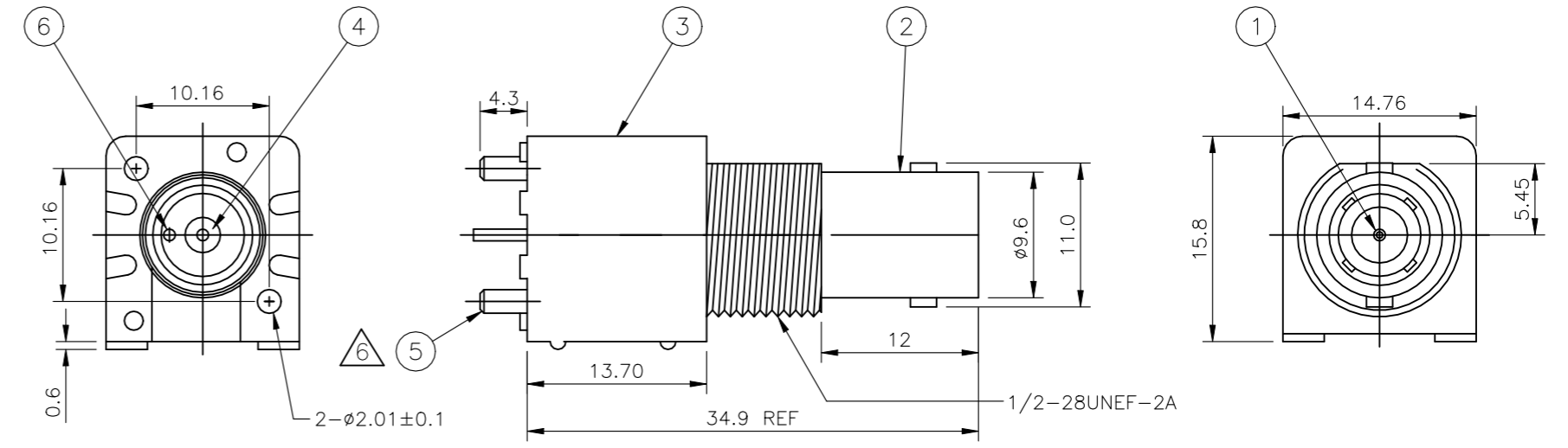


REVISIONS					
P	LTR	DESCRIPTION	DATE	DWN	APVD
	F1	REVISED PER ECN-22-141944	04MAR2022	RZ	WK

- NOTES:
- 1 SINGLE PACK IN ACCORDANCE WITH AMP SPEC 107-3275
 - 2 100 TRAY PACK IN ACCORDANCE WITH AMP SPEC 107-3275
 - 3 Au PLATING OVER Ni PLATING OVER Cu PLATING
 - 4 Ni PLATING OVER Cu PLATING
 - 5 TIN PLATING
 - 6 MOUNTING POSTS ARE OPTIONAL SEE TABLE FOR PART NUMBERS
 - 7 RECOMMENDED SELF-TAPPING SCREW 221108-4
 - 8. RECOMMENDED MOUNT NUT 1-1634816-0
 - 9. RECOMMENDED LOCKWASHER 1-1634817-0
 - 10. FOR TECHNICAL DATA REFER TO YOUR LOCAL TE CONNECTIVITY SALES OFFICE
 - 11. ALL DIMENSIONS ARE NOMINAL FOR REFERENCE ONLY UNLESS OTHERWISE STATED



QTY	DESCRIPTION	ITEM	QTY	DESCRIPTION	ITEM
1	BRASS	6	1	BRASS	5
1	INSULATOR	4	1	PBT WHITE	3
1	HOUSING	3	1	ZINC ALLOY	2
1	CONTACT	1	1	BRASS	1
6--1	MATERIAL		1--1	DESCRIPTION	
1			1		
1			1		
1			1		

QUANTITY PER ASSY

THIS DRAWING IS A CONTROLLED DOCUMENT.

DWN RITA ZUO 04 Mar 09
CHK ANSON MA 04 Mar 09
APVD BOB ZHAO 04 Mar 09

STE TE Connectivity

NAME: BNC STRAIGHT INSULATED PCB SOCKET
50 OHM WHITE

PRODUCT SPEC: 108-112000
APPLICATION SPEC: -

SIZE: A3 CAGE CODE: 00779 DRAWING NO: C-1337541 RESTRICTED TO: -

WEIGHT: 0.000000

CUSTOMER DRAWING SCALE: NTS SHEET: 1 OF 1 REV: F1