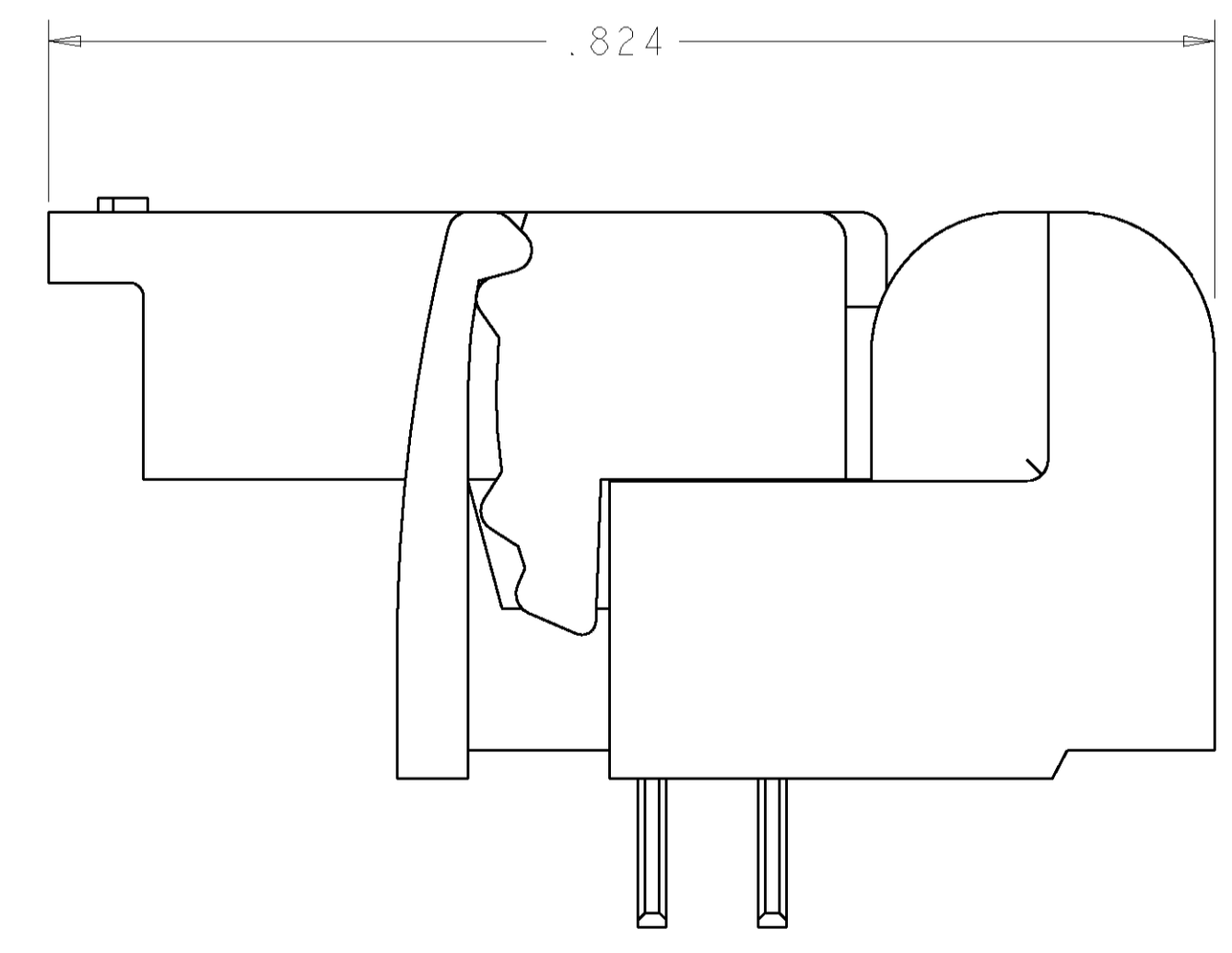
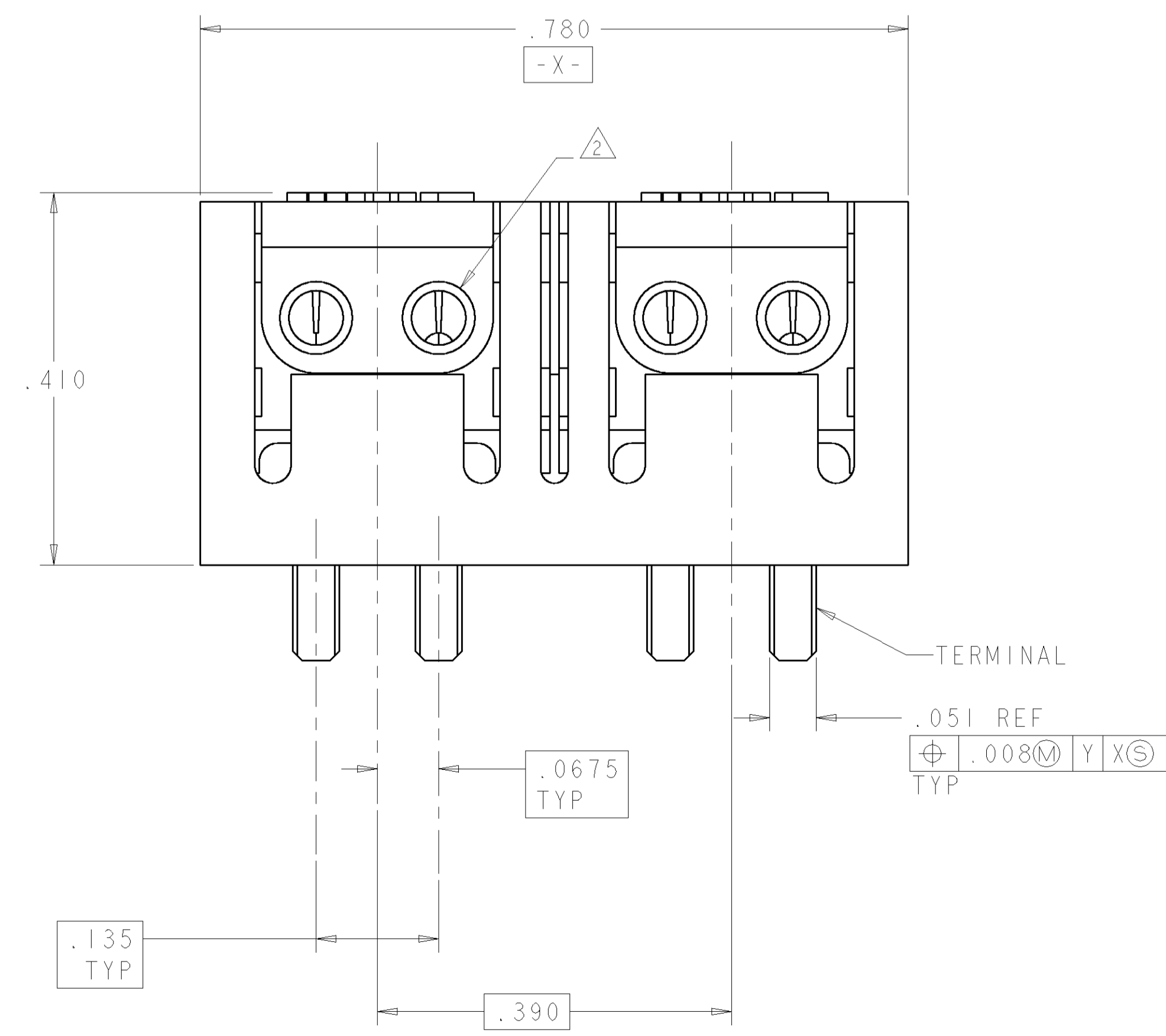
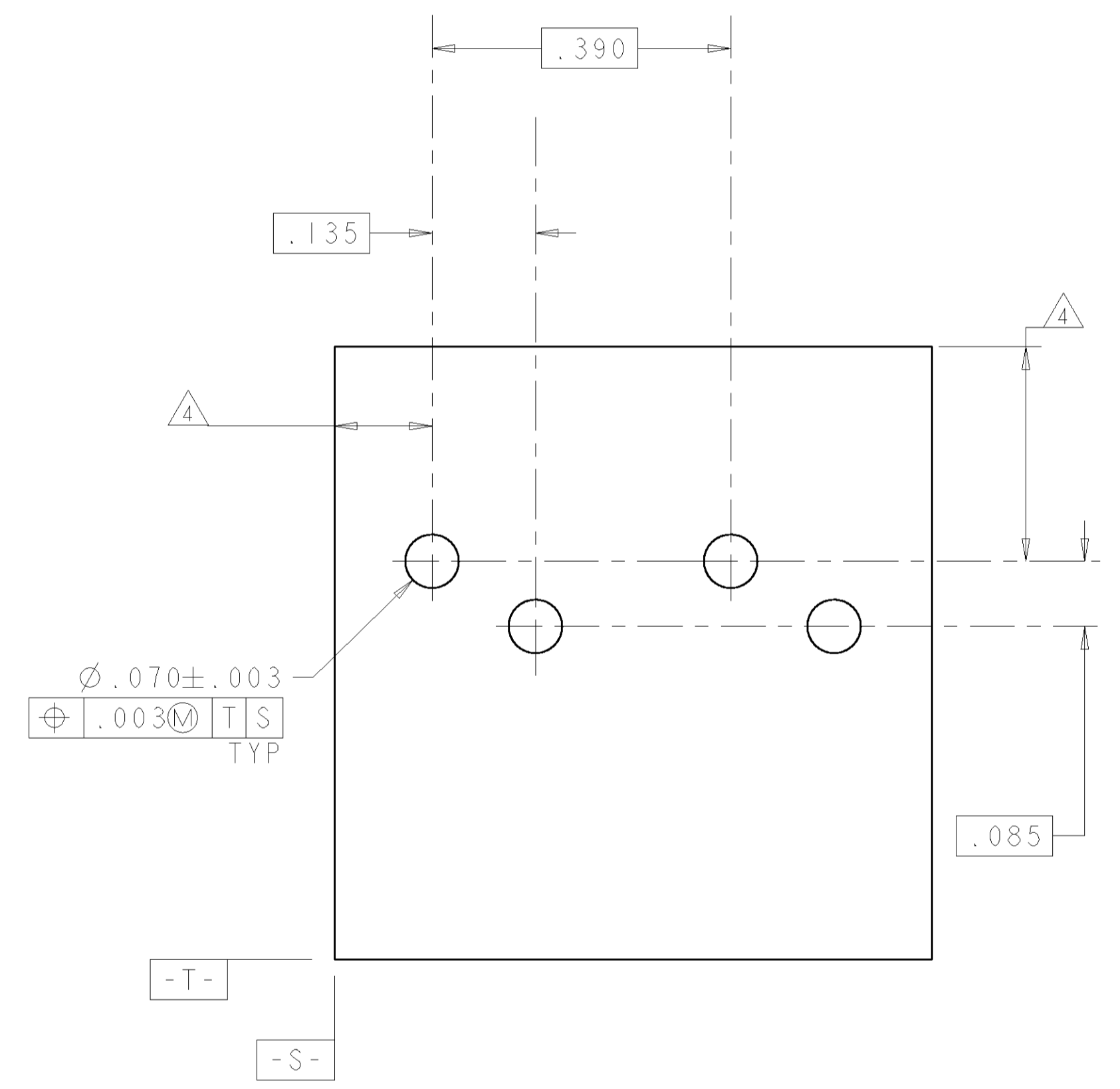


- 1 MATERIAL: BASE - POLYESTER MOLDING COMPOUND, BLACK. WIRE STUFFER - POLYCARBONATE MOLDING COMPOUND, SEE TABLE FOR COLOR. TERMINAL - COPPER ALLOY, PLATED WITH 3.81 $\mu$ m MINIMUM THICK TIN OVER 1.27 $\mu$ m MINIMUM THICK NICKEL UNDERPLATE.
- 2 EACH WIRE ENTRY HOLE ACCEPTS ONE UNSTRIPPED SOLID COPPER 22-26 AWG WIRE WITH WIRE INSULATION DIAMETER RANGE FROM .060 THROUGH .040. OTHER WIRE SIZES AND TYPES SHALL BE SUBMITTED TO AMP ENGINEERS FOR APPLICATION APPROVAL.
- 3. SOLDER TABS PROVIDED FOR PERMANENT BOARD MOUNTING.
- 4 LOCATION OF HOLE PATTERN DETERMINED BASED ON CUSTOMER REQUIREMENTS.



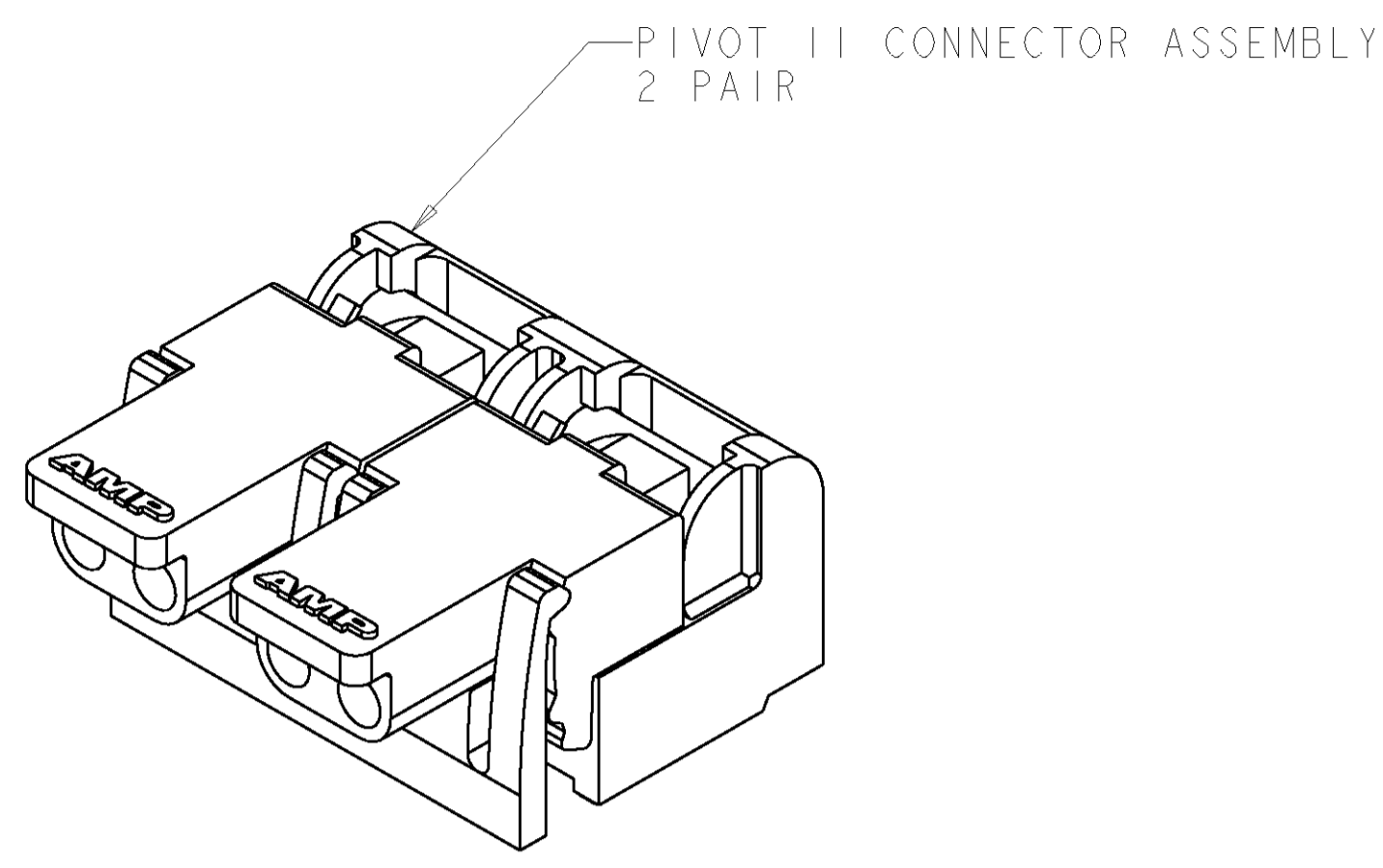
CLOSED POSITION



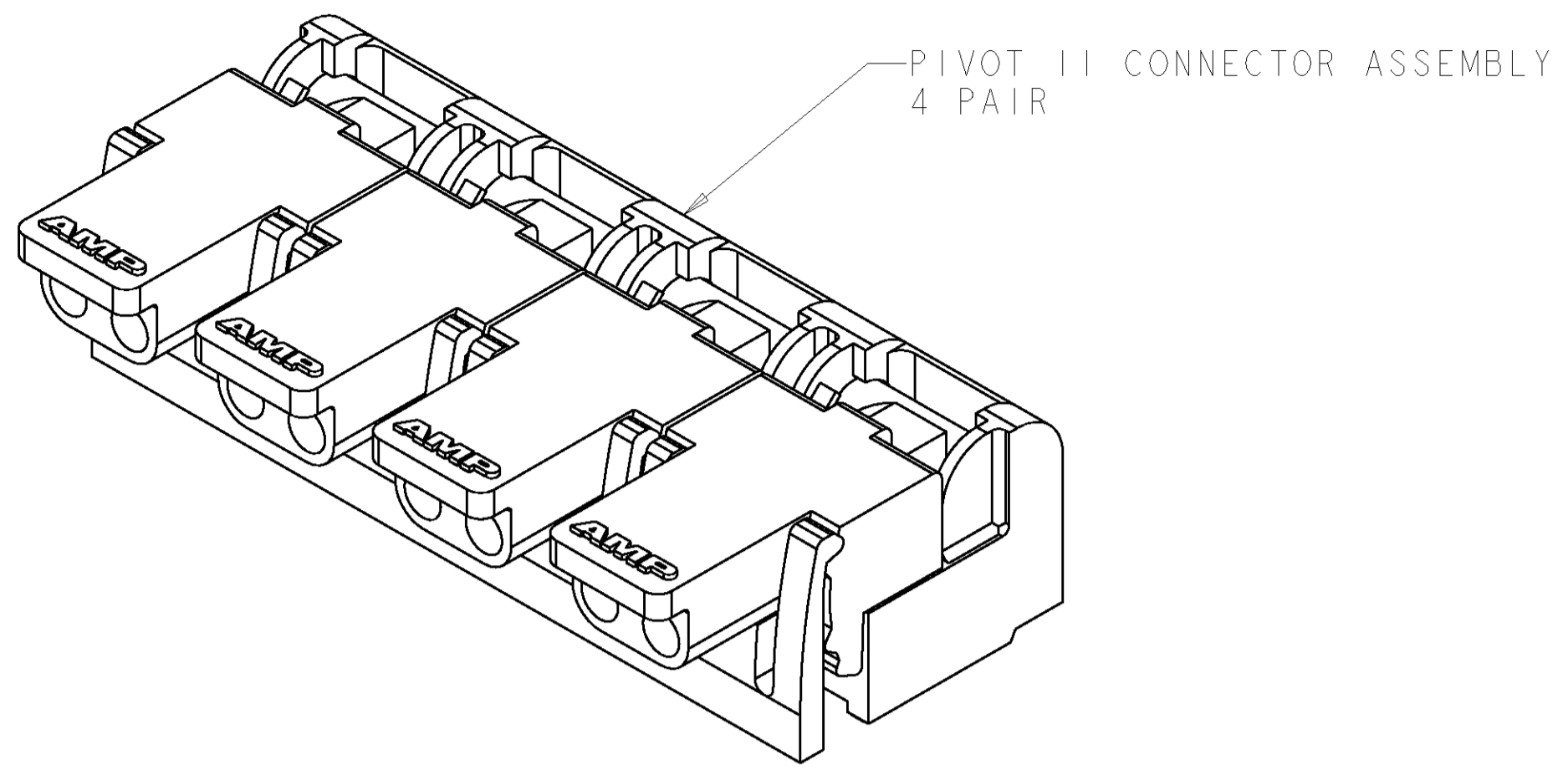
SUGGESTED PRINTED CIRCUIT BOARD MOUNTING DIMENSIONS (VIEWED FROM SOLDER SIDE)

DOUBLE	WHITE	4 PAIR, SH 2	1339376-3
SINGLE	CLEAR	4 PAIR, SH 2	1339376-2
SINGLE	CLEAR	AS SHOWN	1339376-1
ENTRY BASE	STUFFER COLOR	DESCRIPTION	PART NUMBER

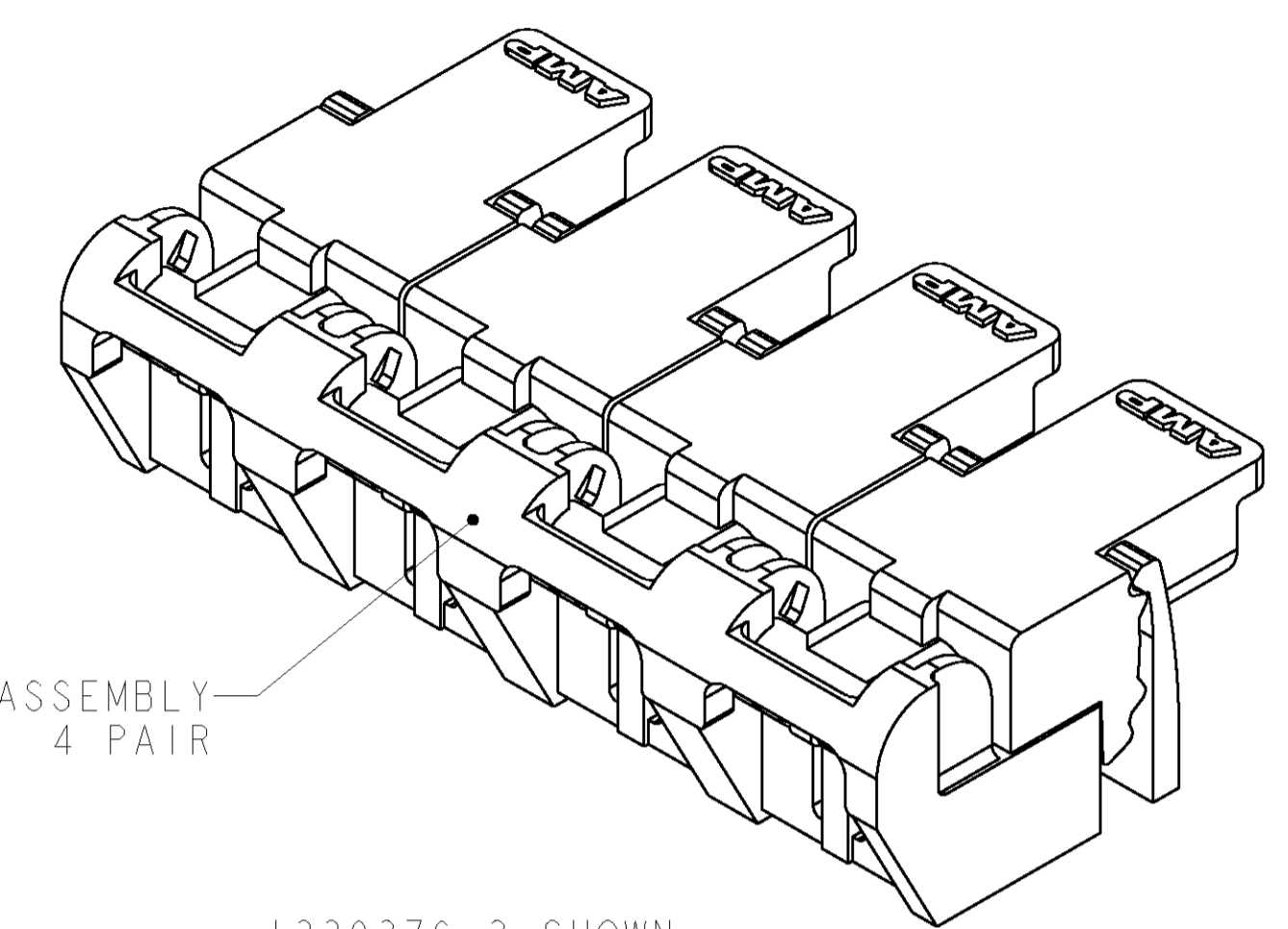
DIMENSIONS: INCHES		TOLERANCES UNLESS OTHERWISE SPECIFIED:		DRAWN: J. AHERON 30NOV00		CHK: S. ROBERTSON 30NOV00		APPR: S. ROBERTSON 30NOV00		NAME: ASSEMBLY, SINGLE ENTRY, PIVOT 11 CONNECTOR	
$\phi$ PLC $\pm$ 1 PLC $\pm$ 2 PLC $\pm .01$ 3 PLC $\pm .005$ 4 PLC $\pm$ ANGLES $\pm$ FINISH $\pm$		PRODUCT SPEC APPLICATION SPEC WEIGHT CUSTOMER DRAWING		SIZE: A1 CAGE CODE: 00779 DRAWING NO: 1339376		<b>STE</b> TE Connectivity		SCALE: 6:1 SHEET: 1 OF 2 REV: F1			



1339376-1 SHOWN  
SCALE 4:1

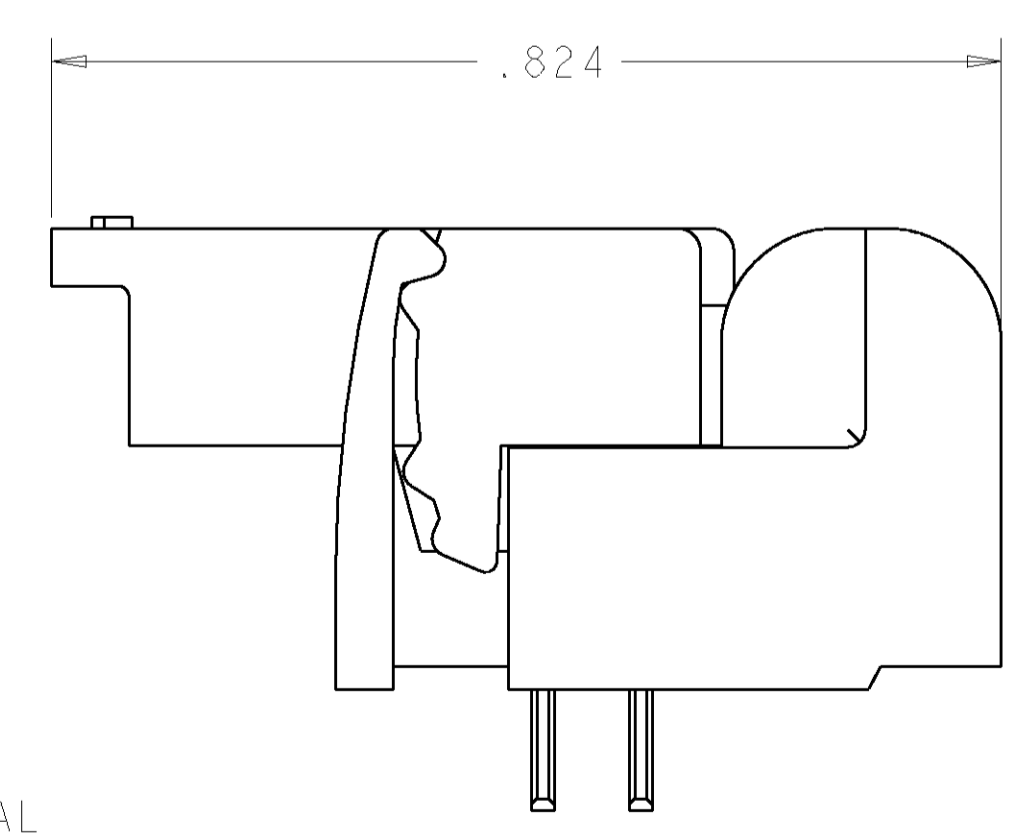
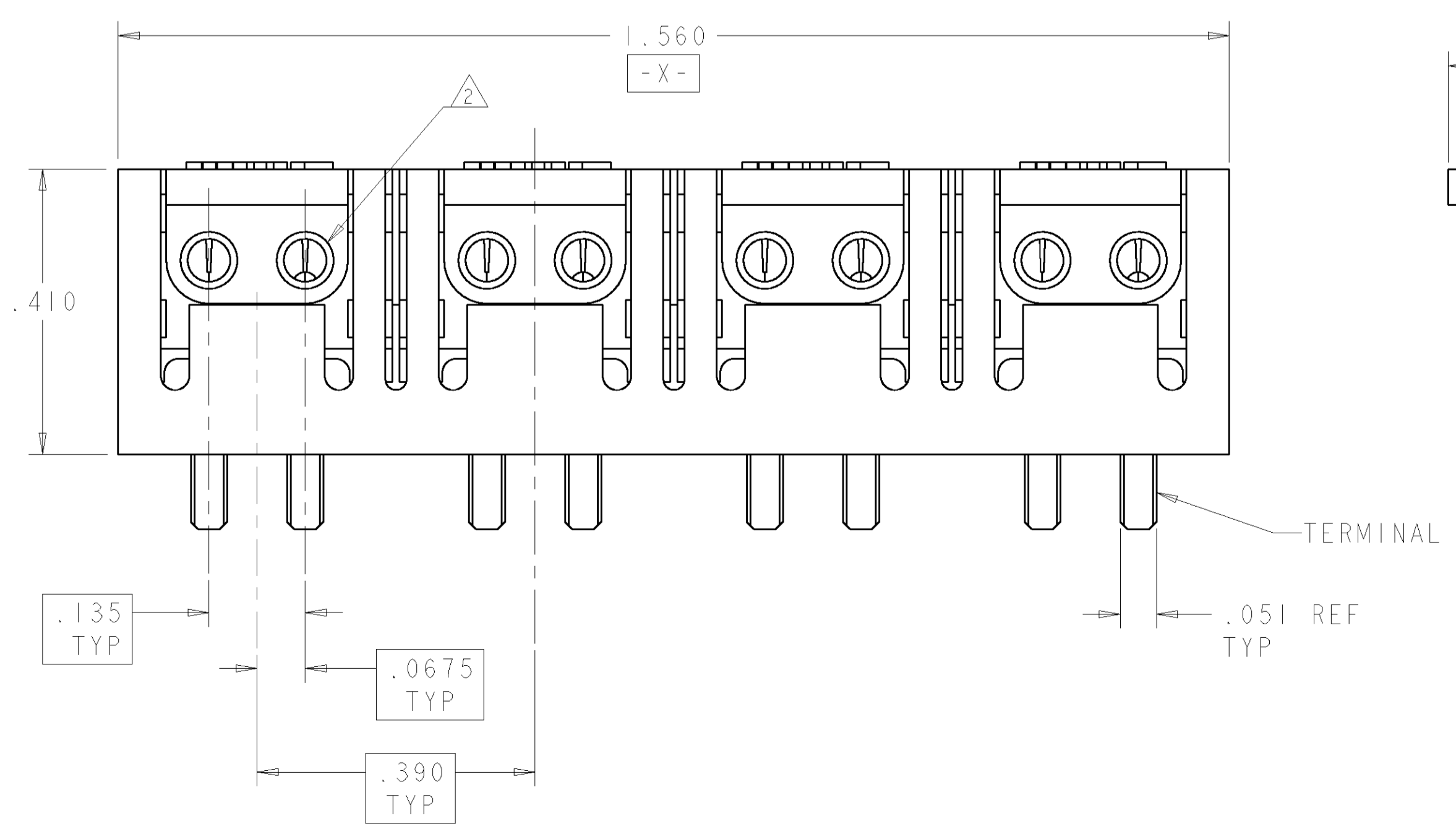
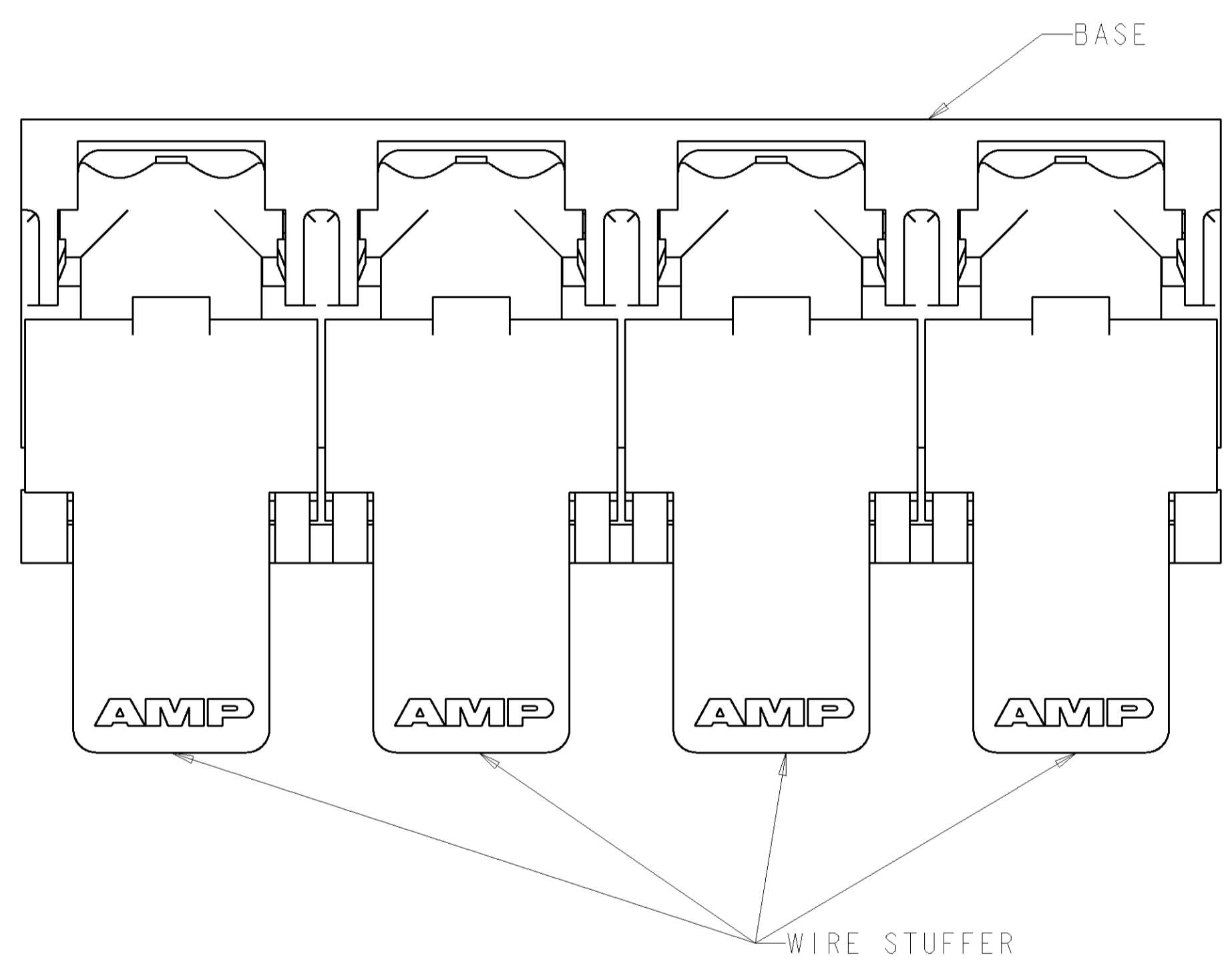


1339376-2 SHOWN  
SCALE 4:1

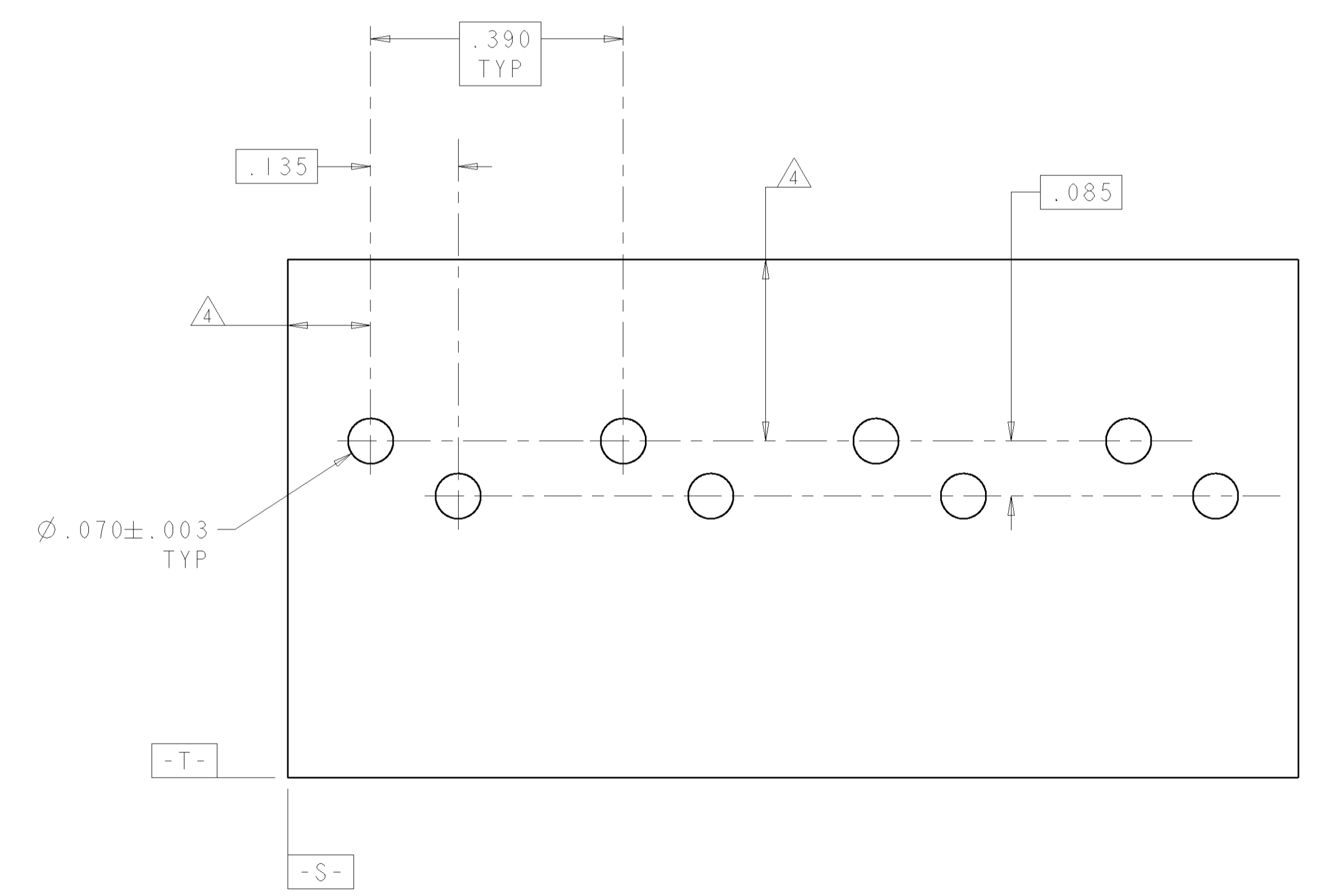


PIVOT II CONNECTOR ASSEMBLY  
4 PAIR

1339376-3 SHOWN  
(WITH DOUBLE ENTRY)  
SCALE 4:1



CLOSED POSITION



SUGGESTED PRINTED CIRCUIT BOARD  
MOUNTING DIMENSIONS  
(VIEWED FROM SOLDER SIDE)

DIMENSIONS: INCHES		TOLERANCES UNLESS OTHERWISE SPECIFIED:		DWN: J. AHERON 30NOV00		ENR: S. ROBERTSON 30NOV00		APVD: S. ROBERTSON 30NOV00		NAME: ASSEMBLY, SINGLE ENTRY, PIVOT II CONNECTOR	
$\varnothing$ PLC ±.01 1 PLC ±.01 2 PLC ±.01 3 PLC ±.005 4 PLC ±. ANGLES ±. FINISH ±.		MATERIAL: - FINISH: -		PRODUCT SPEC: - APPLICATION SPEC: - WEIGHT: -		SIZE: A1 CAGE CODE: 00779 DRAWING NO: 1339376		CUSTOMER DRAWING		SCALE: 6:1 SHEET: 2 OF 2 REV: F1	