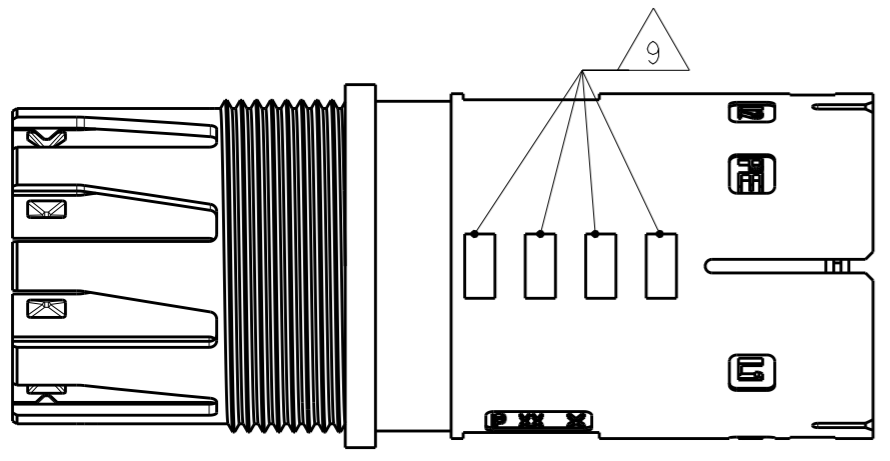
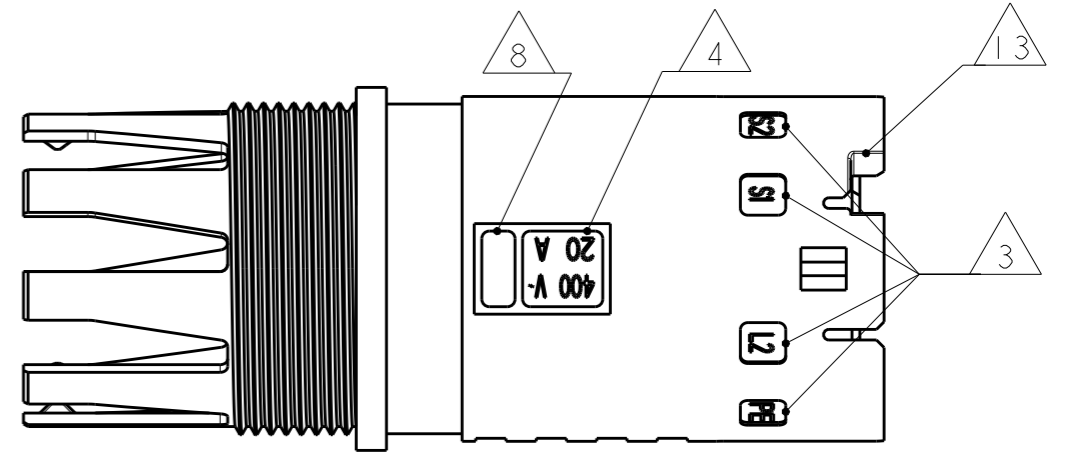
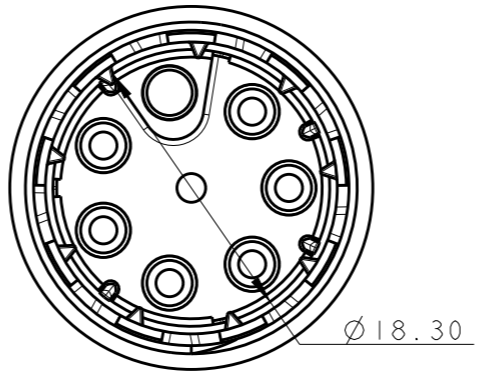
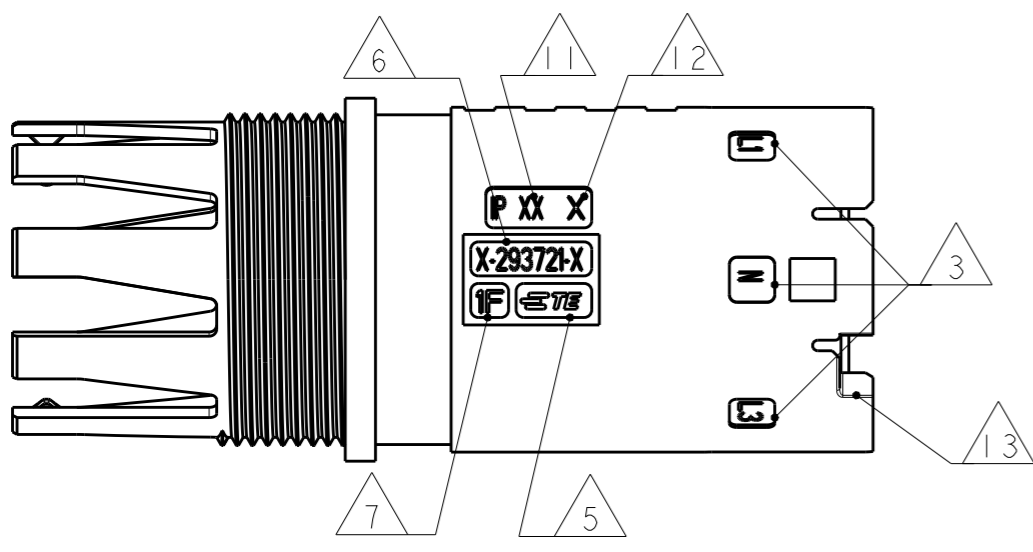


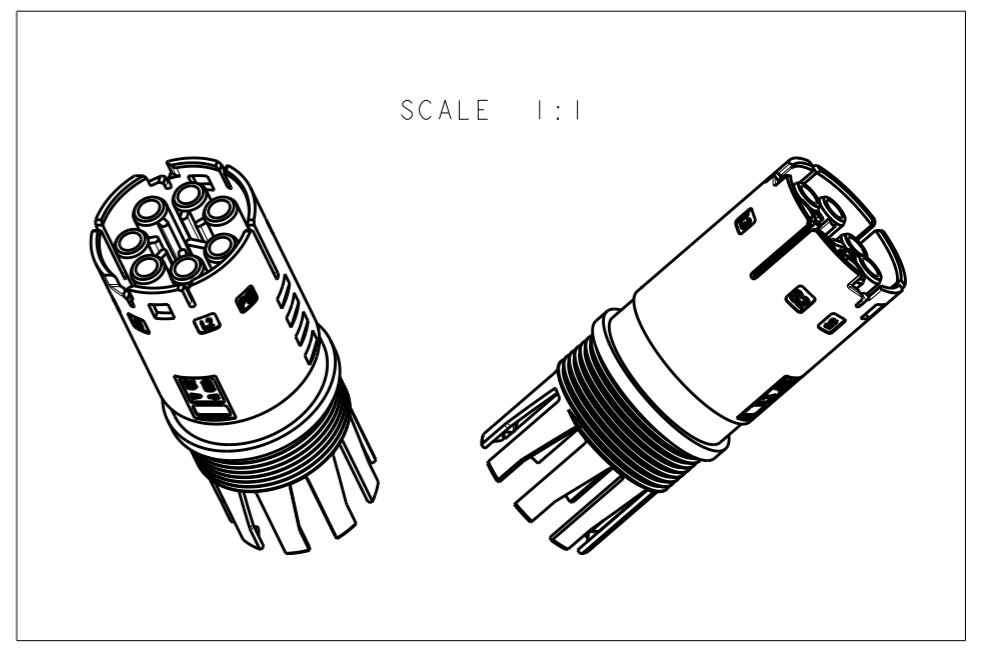
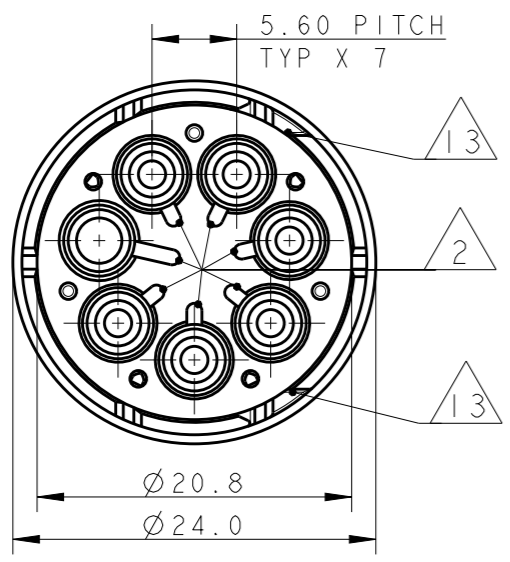
THIS DRAWING IS UNPUBLISHED. RELEASED FOR PUBLICATION 2011  
 © COPYRIGHT 2011 BY - ALL RIGHTS RESERVED.


LOC	DIST	REVISIONS			
P	LTR	DESCRIPTION	DATE	DWN	APVD
	3	UPDATED	21MAY2011	AB	GT
	4	UPDATED	22JUL2013	MZ	JC
	A	PARTS RELEASED FOR PRODUCTION	12NOV2013	MZ	JC
	AI	REVISED PER ECR-18-006945	30MAY2018	NG	MZ



NOTES:

- 1 MATERIAL: PA GF (NATURAL AND BLACK COLOUR)
- 2 ALL POLARIZATION KEYS SHOWN FOR REF ONLY
- 3 WAYS I.D.
- 4 VOLTAGE AND CURRENT RATINGS
- 5 TE LOGO
- 6 TE PART NUMBER
- 7 DATA CODE
- 8 AREA FOR AGENCIES APPROVAL LOGO
- 9 VISUAL INDOCATOR FOR PE CONDUCTOR
- 10) SEE C-DRAWING 293682 (LOCKING CAP) TO GET IP 40
- 11 IP CODE
- 12 CAVITY I.D.
- 13 SLOTS TO ALLOW DELATCHING TOOL OPERATION. FOR DEALTCHING TOOL AND OPERATION REFER TO APPLICATION SPECIFICATION



THIS DRAWING IS A CONTROLLED DOCUMENT.		DWN A. BERNARDI 31MAR2011	 TE Connectivity	
DIMENSIONS: mm		CHK M. ZUCCA 31MAR2011		
TOLERANCES UNLESS OTHERWISE SPECIFIED:		APVD G. TURCO 31MAR2011	NAME SOCKET HOUSING 7 POLES FREE HANGING M-LINE NECTOR UNSEALED VERSION	
0 PLC ±- 1 PLC ±0.3 2 PLC ±0.20 3 PLC ±- 4 PLC ±- ANGLES ±3°		PRODUCT SPEC -	SIZE A300779	
MATERIAL -		APPLICATION SPEC -	CAGE CODE C-293721	RESTRICTED TO -
FINISH -		WEIGHT -	DRAWING NO C-293721	
		Customer Drawing	SCALE 2:1	SHEET 1 OF 2
				REV AI

LOC	DIST	REVISIONS			
P	LTR	DESCRIPTION	DATE	DWN	APVD
	-	SEE SHEET 1	-	-	-

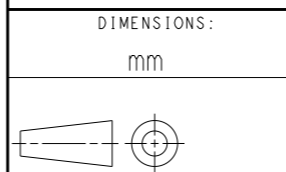
### POLARIZATION TYPES

POLARIZATION TYPE "A"	POLARIZATION TYPE "B"	POLARIZATION TYPE "C"
PNs 0-293721-1 AND 1-293721-1	PNs 0-293721-2 AND 1-293721-2	PNs 0-293721-3 AND 1-293721-3
POLARIZATION TYPE "D"	POLARIZATION TYPE "E"	
PNs <del>0-293721-4</del> AND <del>1-293721-4</del>	PNs <del>0-293721-5</del> AND <del>1-293721-5</del>	

### TABLE 1

NOTE	POL. KEYING	COLOUR	DESCRIPTION	REV.	P/N
OBSOLETE		E	BLACK	A	<del>1-293721-5</del>
		D	BLACK	A	<del>1-293721-4</del>
		C	BLACK	A	1-293721-3
		B	BLACK	A	1-293721-2
		A	BLACK	A	1-293721-1
OBSOLETE		E	NATURAL	A	<del>0-293721-5</del>
		D	NATURAL	A	<del>0-293721-4</del>
		C	NATURAL	A	0-293721-3
		B	NATURAL	A	0-293721-2
		A	NATURAL	A	0-293721-1

THIS DRAWING IS A CONTROLLED DOCUMENT.



MATERIAL -

DIMENSIONS:		TOLERANCES UNLESS OTHERWISE SPECIFIED:	
	mm		
0 PLC		±	
1 PLC		±0.3	
2 PLC		±0.20	
3 PLC		±	
4 PLC		±	
ANGLES		±3°	
FINISH		-	

DWN	A. BERNARDI	31MAR2011
CHK	M. ZUCCA	31MAR2011
APVD	G. TURCO	31MAR2011

PRODUCT SPEC	-
APPLICATION SPEC	-
WEIGHT	-

**STE** TE Connectivity

NAME: SOCKET HOUSING 7 POLES FREE HANGING M-LINE NECTOR UNSEALED VERSION

SIZE	CAGE CODE	DRAWING NO	RESTRICTED TO
A300779	C=293721		-