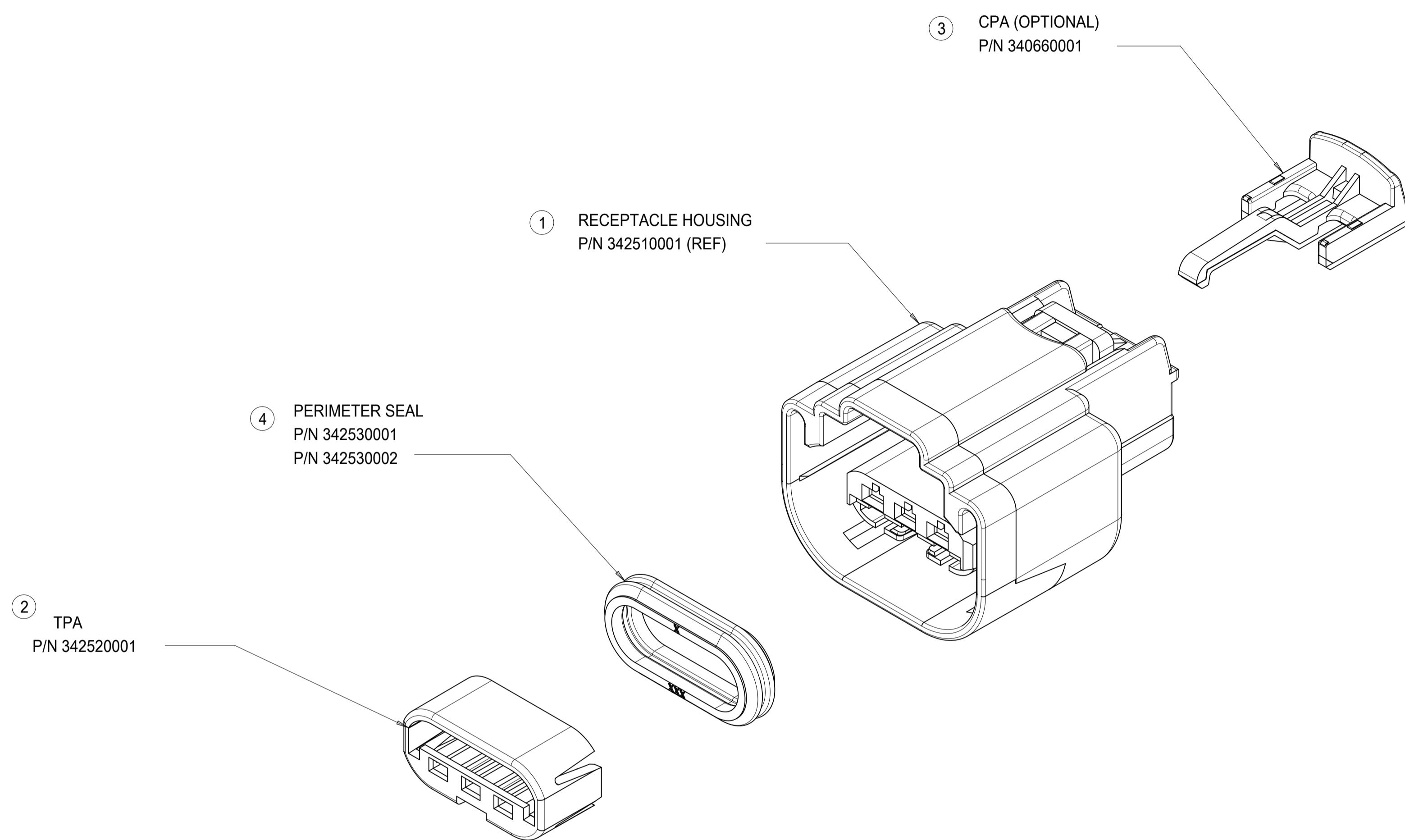


TABLE OF CONTENTS	
SHEET NO.	SHEET DESCRIPTION
1	NOTES
2	DUAL KEY CONFIGURATION
3	SINGLE KEY CONFIGURATION
4	VIEWS
5	BOM
6	TERMINAL AND CABLE SEAL



NOTES: VALID UNLESS OTHERWISE SPECIFIED

1. GENERAL:

- a. APPLICATION SPECIFICATION SEE: 1600730001-AS
  - CONTAINS: PRODUCT INTRODUCTION, PRODUCT SUMMARY, CONNECTOR ASSEMBLY, PACKAGING INFORMATION, CONNECTOR MATING, SERVICE INSTRUCTIONS, ELECTRICAL CONTINUITY CHECKING, CRIMPING, AND TROUBLESHOOTING.
  - DESIGNED TO MATE WITH DEVICE OR CONNECTOR AS SPECIFIED IN THE MATING INTERFACE/CONNECTOR DRAWINGS CHART.
  - \*DENOTES DRAWINGS THAT CAN BE ACCESSED AT <http://ewcap.uscarteams.org/>.
  - ASSEMBLY SHIPPED WITH PLR IN PRE-LOCK POSITION (SEE PLR PRE-LOCK VIEW SHEET 4).

b. PRODUCT SPECIFICATION SEE: 1600730001-PS

c. PACKAGING SPECIFICATION PER MOLEX DRAWING: SEE PK-31300-068

d. PARTS MUST BE IN COMPLIANCE TO MOLEX CHEMICAL SUBSTANCES FOR PRODUCTS AND PACKAGING SPECIFICATION: QEHS-699000-301

e. DATA MUST BE SUBMITTED UNDER THE MOLEX PART NUMBER TO IMDS (COMPANY ID#13255)

2. DESIGN - MATERIALS:

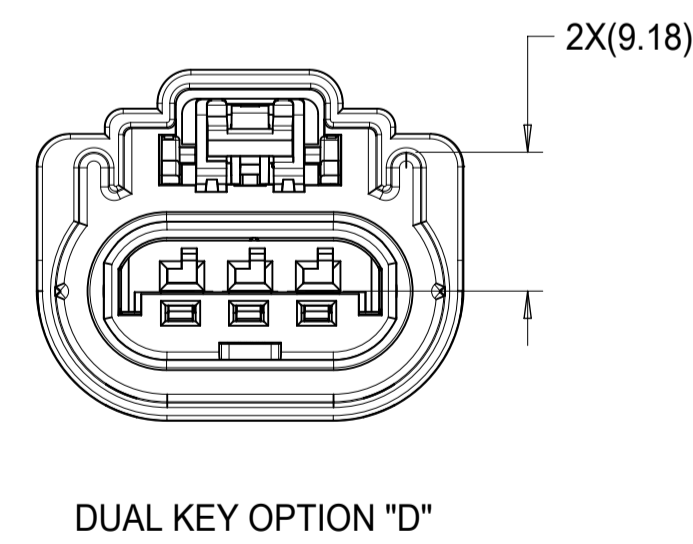
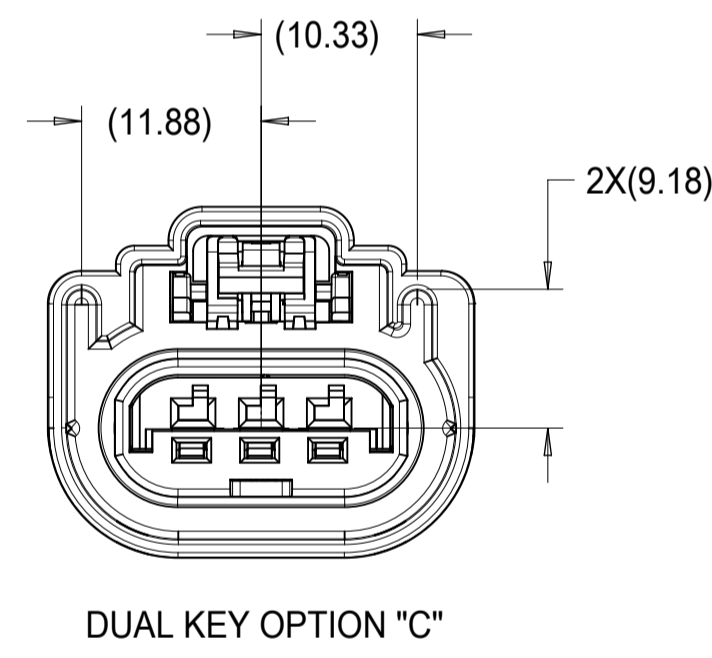
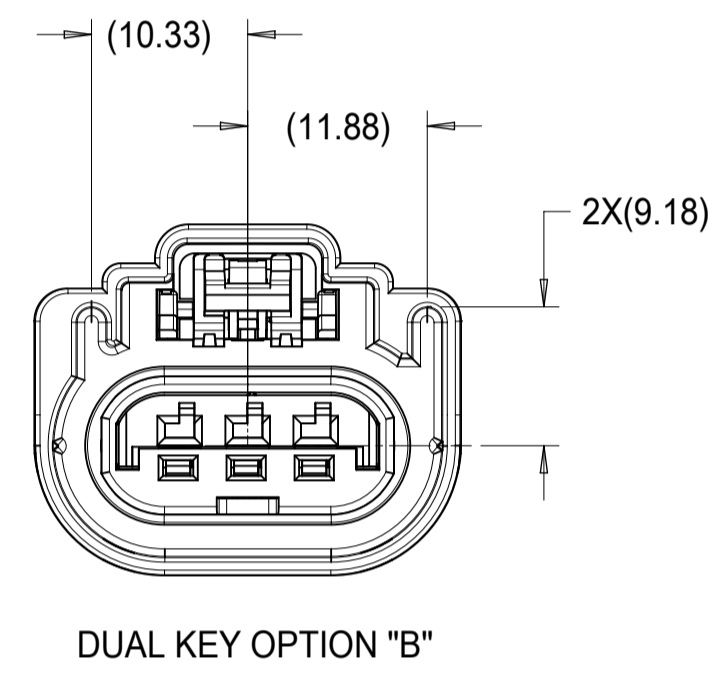
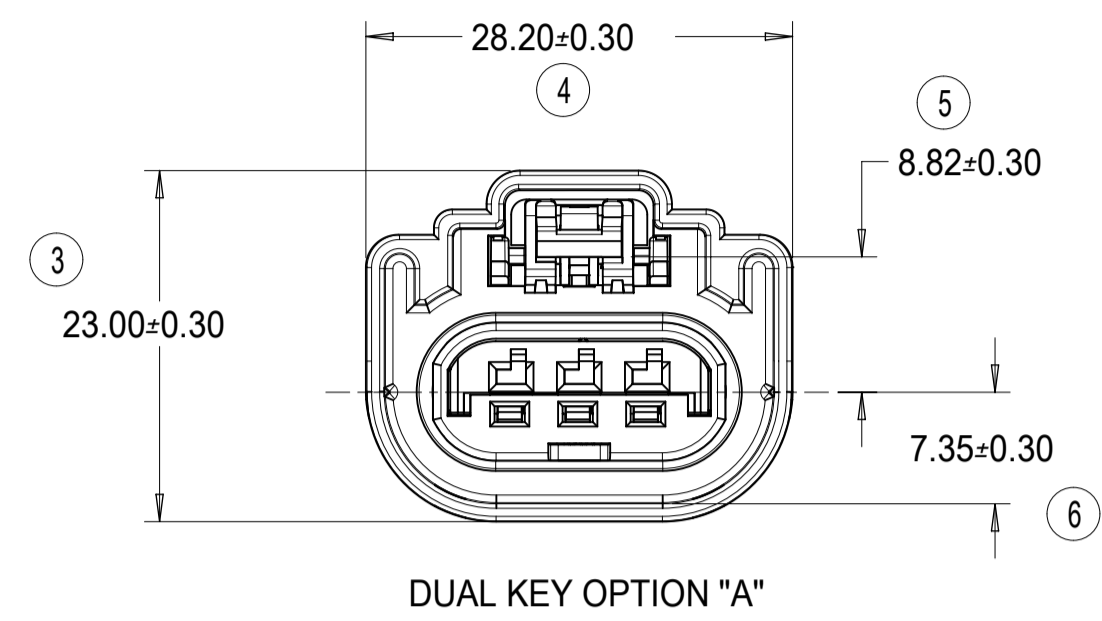
a. FOR BILL OF MATERIALS SEE: BOM IN SHEET 5

3. DESIGN - GEOMETRY:

- a. THE 3-D CAD DATA IS BASIC (WITHOUT TOLERANCE) AND MASTER FOR THIS PART WITH THE EXCEPTION OF UNDERLINED DIMENSIONS. DIMENSIONAL INFORMATION NOT SHOWN ON THIS DRAWING IS DEFINED BY THE DATA FILE AT ITS LATEST REVISION.
  - b. GEOMETRIC DIMENSIONS AND TOLERANCES PER ASME Y14.5M-2009
  - c. EDGES AND UNDIMENSIONED DETAILS PER ISO13715
  - d. CORNERS SHOWN AS SHARP TO BE R 0.2 MAX.
  - e. LETTERING SHALL BE 0.15 MAX RAISED IN 0.25 MAX RECESS PAD. THIS INCLUDES RECYCLING CODE, CAVITY ID, VENDOR IDENTIFICATION, AND CUSTOMER MATERIAL NUMBER.
  - f. VISUAL DEFECTS SHALL MEET COSMETIC STANDARD PS-45499-002 (Class B).
  - g. LASER MARKING:
    - 1. PART NUMBER
    - 2. DAY OF THE YEAR
    - 3. SHIFT
    - 4. YEAR
- FOR ADDITIONAL INFORMATION SEE SECTION 5 UNDER PROCEDURES IN ES-34735-008.

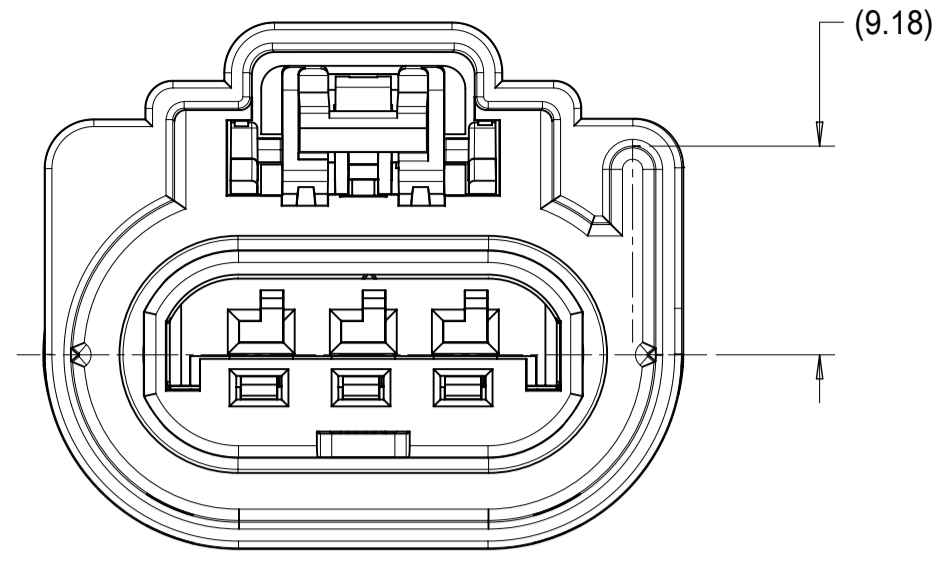
SYMBOLS	THIS DRAWING CONTAINS INFORMATION THAT IS PROPRIETARY TO MOLEX ELECTRONIC TECHNOLOGIES, LLC AND SHOULD NOT BE USED WITHOUT WRITTEN PERMISSION		CURRENT REV DESC:		molex			
	DIMENSION UNITS	SCALE	EC NO: 171123 DRWN: PXU25 2017/12/26 CHK'D: KBORUSZEWSKI 2018/01/26 APPR: MVANSLAMBROU 2018/02/02 INITIAL REVISION: DRWN: CYMA 2016/07/20 APPR: KDEKOSKI 2017/02/08		RECEPTACLE ASSEMBLY			
	mm	2:1			3-WAY USCAR CONNECTOR 1.5MM CABLE SEAL			
	GENERAL TOLERANCES (UNLESS SPECIFIED)				PRODUCT CUSTOMER DRAWING			
	ANGULAR TOL ± 3.0°				DOCUMENT NUMBER	DOC TYPE	DOC PART	REVISION
	4 PLACES ±				SD-160073-001	PSD	001	R
	3 PLACES ±		MATERIAL NUMBER		CUSTOMER		SHEET NUMBER	
	2 PLACES ± 0.1		160073		GENERAL MARKET		1 OF 6	
	1 PLACE ± 0.3		DRAWING		SERIES			
	0 PLACES ±		A1-SIZE		160073			
	DRAFT WHERE APPLICABLE MUST REMAIN WITHIN DIMENSIONS		THIRD ANGLE PROJECTION					

# DUAL KEY CONFIGURATION

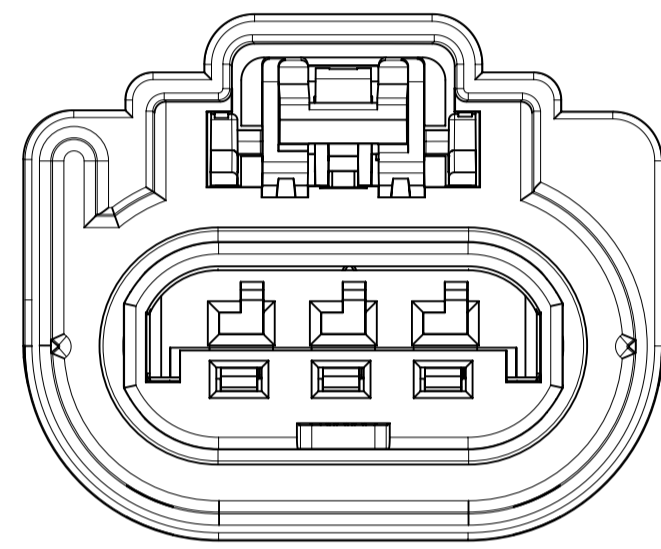


SYMBOLS	THIS DRAWING CONTAINS INFORMATION THAT IS PROPRIETARY TO MOLEX ELECTRONIC TECHNOLOGIES, LLC AND SHOULD NOT BE USED WITHOUT WRITTEN PERMISSION		
	DIMENSION UNITS	SCALE	CURRENT REV DESC:
= 0	mm	3:1	EC NO: 171123 DRWN: PXU25 2017/12/26 CHK'D: KBORUSZEWSKI 2018/01/26 APPR: MVANSLAMBROU 2018/02/02 INITIAL REVISION: DRWN: CYMA 2016/07/20 APPR: KDEKOSKI 2017/02/08
= 0	GENERAL TOLERANCES (UNLESS SPECIFIED)		
= 0	ANGULAR TOL ± 3.0°		
= 0	4 PLACES ±		
= 0	3 PLACES ±		DOCUMENT NUMBER <b>SD-160073-001</b>
= 0	2 PLACES ± 0.1		
= 0	1 PLACE ± 0.3		MATERIAL NUMBER CUSTOMER SHEET NUMBER GENERAL MARKET   2 OF 6
= 0	0 PLACES ±		
= 0	DRAFT WHERE APPLICABLE MUST REMAIN WITHIN DIMENSIONS	THIRD ANGLE PROJECTION	DRAWING <b>A1-SIZE</b>
= 0		SERIES 160073	

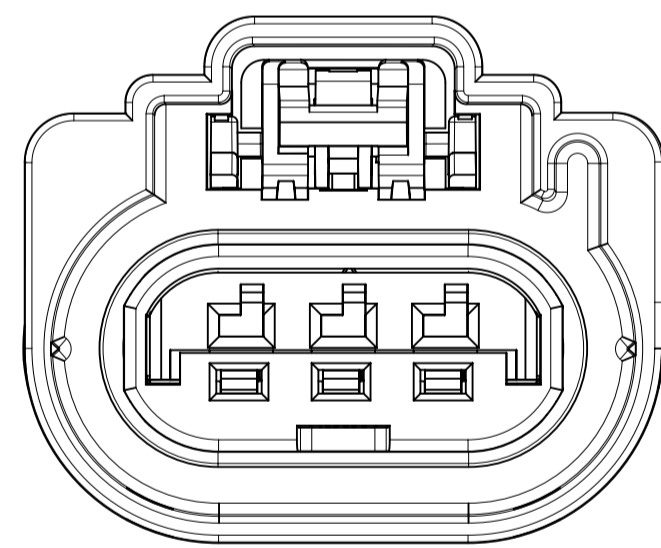
SINGLE KEY CONFIGURATION



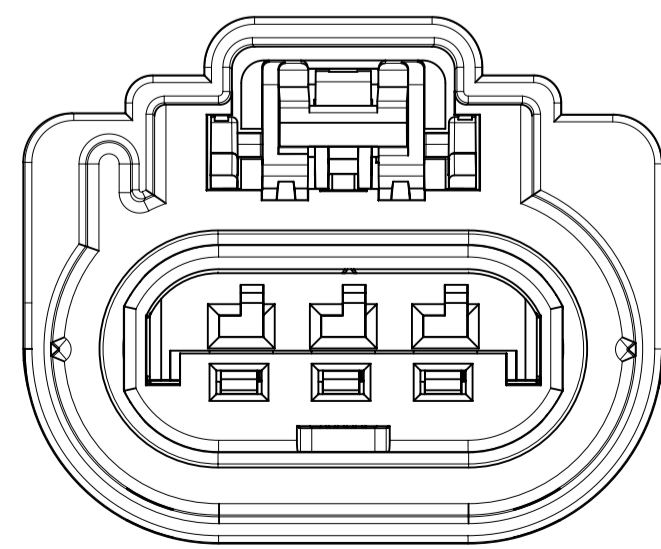
SINGLE KEY OPTION "A"



SINGLE KEY OPTION "B"



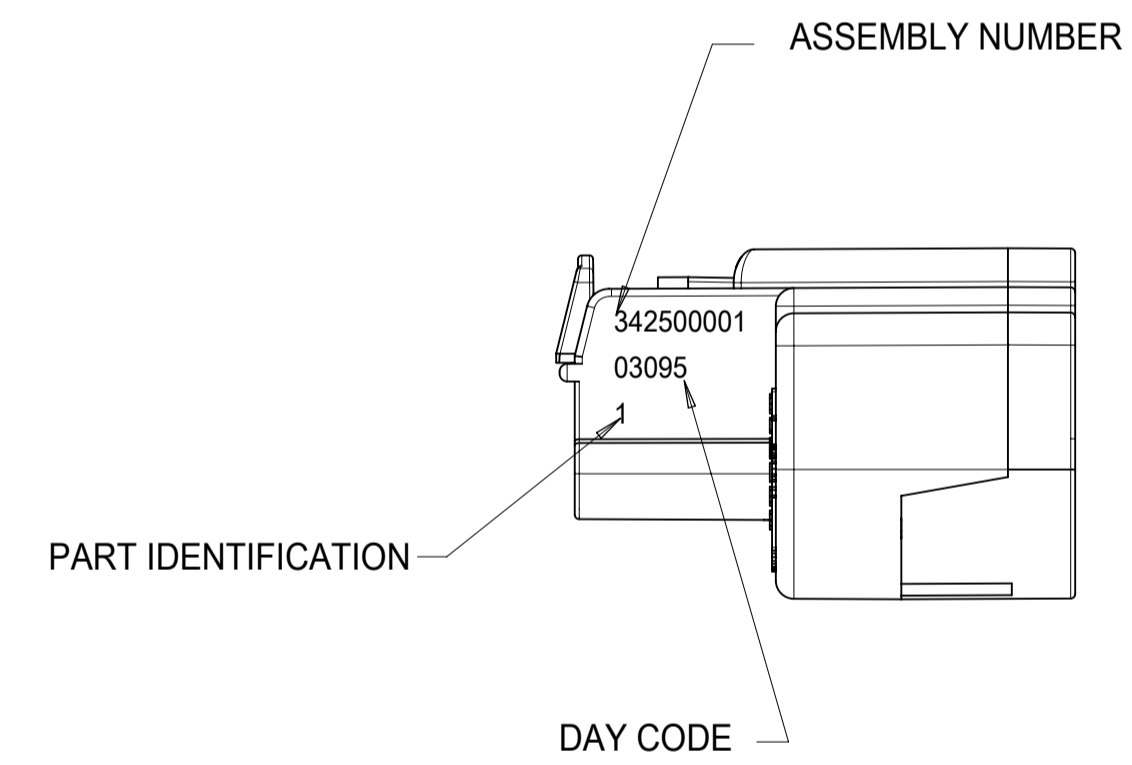
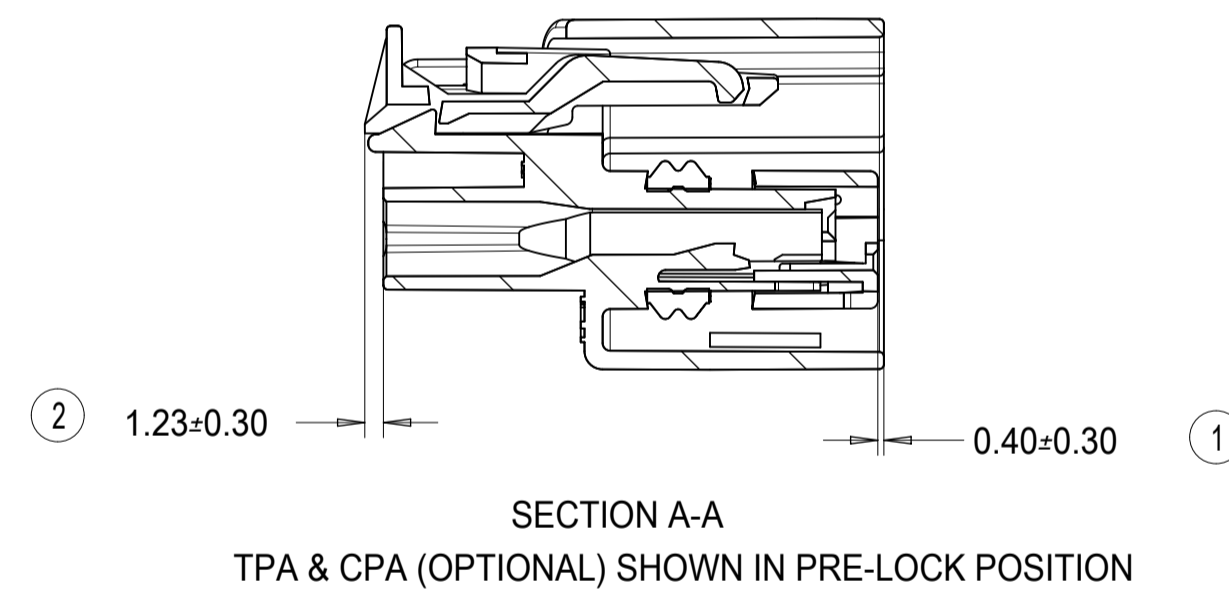
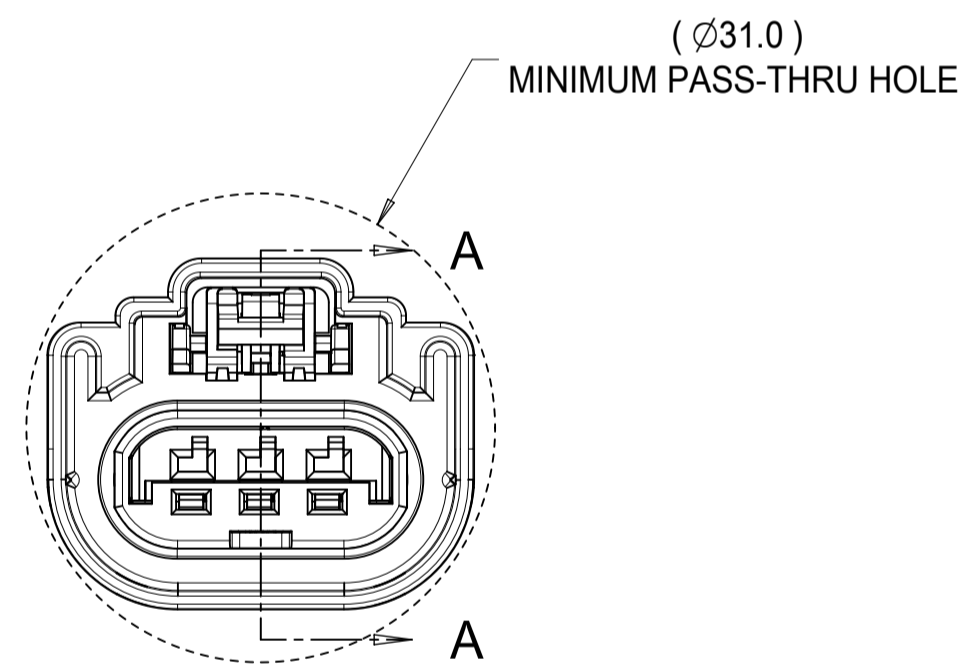
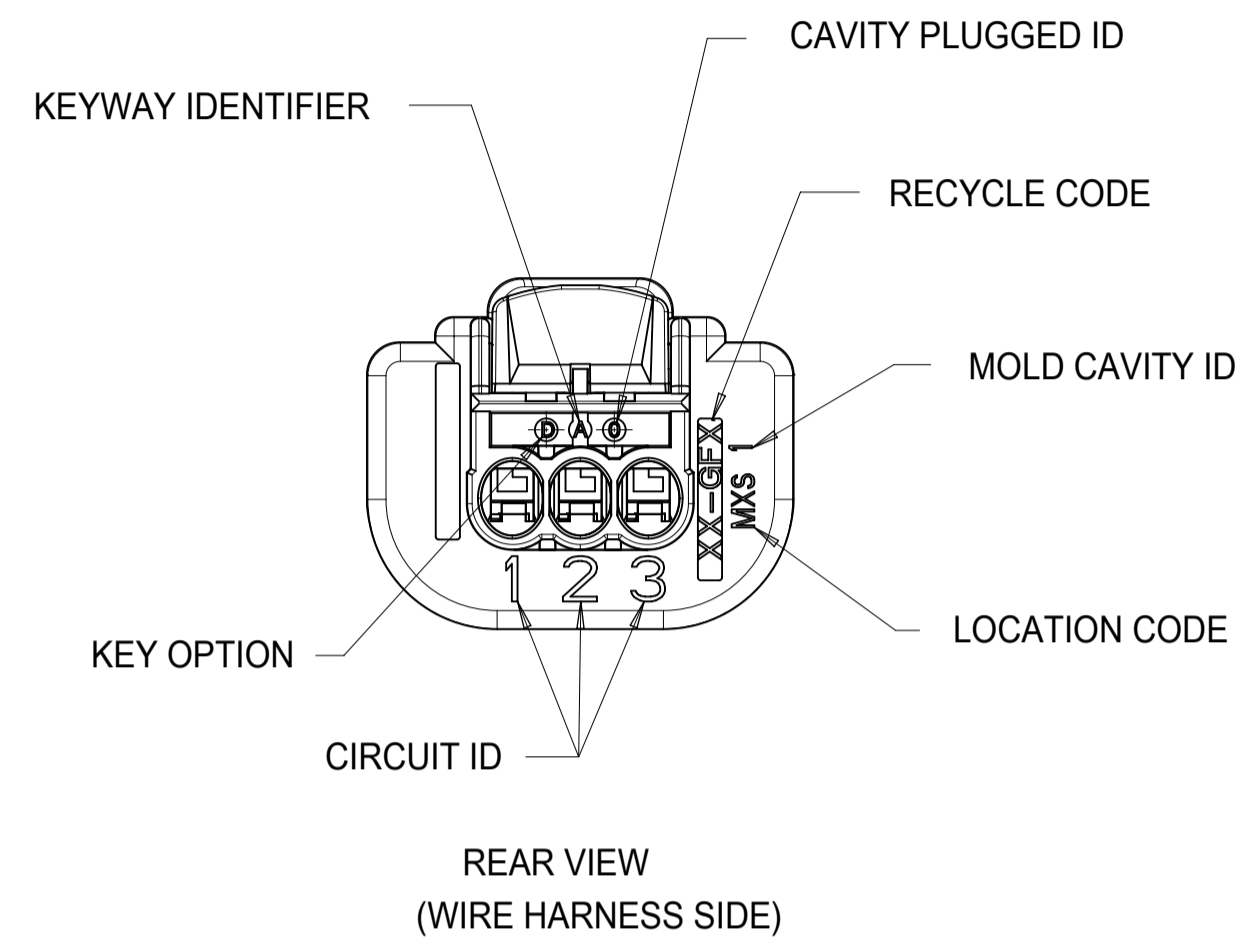
SINGLE KEY OPTION "C"



SINGLE KEY OPTION "D"

<b>SYMBOLS</b> = 0 = 0 = 0 = 0 = 0 = 0 = 0 = 0	THIS DRAWING CONTAINS INFORMATION THAT IS PROPRIETARY TO MOLEX ELECTRONIC TECHNOLOGIES, LLC AND SHOULD NOT BE USED WITHOUT WRITTEN PERMISSION DIMENSION UNITS: <b>mm</b> SCALE: <b>3:1</b>	CURRENT REV DESC: EC NO: 171123 DRWN: PXU25 2017/12/26 CHK'D: KBORUSZEWSKI 2018/01/26 APPR: MVANSLAMBROU 2018/02/02			
	GENERAL TOLERANCES (UNLESS SPECIFIED) ANGULAR TOL ± 3.0° 4 PLACES ± 3 PLACES ± 2 PLACES ± 0.1 1 PLACE ± 0.3 0 PLACES ±	INITIAL REVISION: DRWN: CYMA 2016/07/20 APPR: KDEKOSKI 2017/02/08	RECEPTACLE ASSEMBLY 3-WAY USCAR CONNECTOR 1.5MM CABLE SEAL PRODUCT CUSTOMER DRAWING		
DRAFT WHERE APPLICABLE MUST REMAIN WITHIN DIMENSIONS	THIRD ANGLE PROJECTION	DRAWING: <b>A1-SIZE</b> SERIES: <b>160073</b>	DOCUMENT NUMBER: <b>SD-160073-001</b> DOC TYPE: <b>PSD</b> DOC PART: <b>001</b> REVISION: <b>R</b>	MATERIAL NUMBER CUSTOMER: <b>GENERAL MARKET</b> SHEET NUMBER: <b>3 OF 6</b>	

VIEWS



SYMBOLS		THIS DRAWING CONTAINS INFORMATION THAT IS PROPRIETARY TO MOLEX ELECTRONIC TECHNOLOGIES, LLC AND SHOULD NOT BE USED WITHOUT WRITTEN PERMISSION		CURRENT REV DESC:		molex				
	= 0	DIMENSION UNITS	SCALE	EC NO: 171123 DRWN: PXU25 2017/12/26 CHK'D: KBORUSZEWSKI 2018/01/26 APPR: MVANSLAMBROU 2018/02/02		RECEPTACLE ASSEMBLY 3-WAY USCAR CONNECTOR 1.5MM CABLE SEAL				
	= 0	mm	2:1							
	= 0	GENERAL TOLERANCES (UNLESS SPECIFIED)				INITIAL REVISION: DRWN: CYMA 2016/07/20 APPR: KDEKOSKI 2017/02/08		PRODUCT CUSTOMER DRAWING		
	= 0	ANGULAR TOL ± 3.0°						DOCUMENT NUMBER	DOC TYPE	DOC PART
	= 0	4 PLACES	±	THIRD ANGLE PROJECTION DRAWING SERIES A1-SIZE 160073		SD-160073-001				
	= 0	3 PLACES	±			MATERIAL NUMBER	CUSTOMER	SHEET NUMBER		
	= 0	2 PLACES	± 0.1			GENERAL MARKET			4 OF 6	
	= 0	1 PLACE	± 0.3			CUSTOMER		SHEET NUMBER		
	= 0	0 PLACES	±	DRAFT WHERE APPLICABLE MUST REMAIN WITHIN DIMENSIONS						

ASSEMBLY DESCRIPTION	ASSEMBLY P/N	HOUSING KEY/COLOR	BLOCKED TERMINALS			MATES W/ USCAR DUAL KEY	MATES W/ USCAR SINGLE KEY	STATUS	COMMENTS
			1	2	3				
KEY A, BLACK, W/O CPA	1600733101	A-BLACK				150-S-003-1-A01	N/A	SALEABLE	N/A
KEY B, LT GREY, W/O CPA	1600733102	B-LT GREY				150-S-003-1-B01	N/A	SALEABLE	N/A
KEY C, DK GREY, W/O CPA	1600733103	C-DK GREY				150-S-003-1-C01	N/A	SALEABLE	N/A
KEY D, ST GREY, W/O CPA	1600733104	D-ST GREY				150-S-003-1-D01	N/A	SALEABLE	N/A
KEY A, BLACK, W/ CPA	1600733105	A-BLACK				150-S-003-1-A01	N/A	SALEABLE	N/A
KEY B, LT GREY, W/ CPA	1600733106	B-LT GREY				150-S-003-1-B01	N/A	SALEABLE	N/A
KEY C, DK GREY, W/ CPA	1600733107	C-DK GREY				150-S-003-1-C01	N/A	SALEABLE	N/A
KEY D, ST GREY, W/ CPA	1600733108	D-ST GREY				150-S-003-1-D01	N/A	SALEABLE	N/A
KEY A, BLACK, W/O CPA	1600733109	A-BLACK				N/A	150-S-003-1-A02	SALEABLE	N/A
KEY B, LT GREY, W/O CPA	1600733110	B-LT GREY				N/A	150-S-003-1-B02	SALEABLE	N/A
KEY C, DK GREY, W/O CPA	1600733111	C-DK GREY				N/A	150-S-003-1-C02	SALEABLE	N/A
KEY D, ST GREY, W/O CPA	1600733112	D-ST GREY				N/A	150-S-003-1-D02	SALEABLE	N/A
KEY A, BLACK, W/ CPA	1600733113	A-BLACK				N/A	150-S-003-1-A02	SALEABLE	N/A
KEY B, LT GREY, W/ CPA	1600733114	B-LT GREY				N/A	150-S-003-1-B02	SALEABLE	N/A
KEY C, DK GREY, W/ CPA	1600733115	C-DK GREY				N/A	150-S-003-1-C02	SALEABLE	N/A
KEY D, ST GREY, W/ CPA	1600733116	D-ST GREY				N/A	150-S-003-1-D02	SALEABLE	N/A
KEY B, BLACK, W/O CPA	1600733117	B-BLACK				150-S-003-1-B01	N/A	SALEABLE	N/A
KEY D, BLACK, W/O CPA	1600733118	D-BLACK				N/A	150-S-003-1-D02	SALEABLE	N/A
KEY B, BLACK, W/ CPA	1600733119	B-BLACK				150-S-003-1-B01	N/A	SALEABLE	N/A

ASSEMBLY MATERIALS			
ITEM	DESCRIPTION	COLOR	RECYCLE CODE
1	RECEPTACLE HOUSING	SEE CHART	PA6 GF40 (FOR 160073 SERIES)
2	TPA	NATURAL	PBT-GF30
3	CPA	RED	PBT-GF30
4	PERIMETER SEAL	BLUE	SILICON 50 DUROMETER

<b>SYMBOLS</b> = 0 = 0 = 0 = 0 = 0 = 0 = 0 = 0 = 0	THIS DRAWING CONTAINS INFORMATION THAT IS PROPRIETARY TO MOLEX ELECTRONIC TECHNOLOGIES, LLC AND SHOULD NOT BE USED WITHOUT WRITTEN PERMISSION		CURRENT REV DESC:		 RECEPTACLE ASSEMBLY 3-WAY USCAR CONNECTOR 1.5MM CABLE SEAL	
	DIMENSION UNITS	SCALE	EC NO: 171123			DOCUMENT NUMBER
	mm	1:1	DRWN: PXU25 2017/12/26			DOC TYPE   DOC PART   REVISION
	GENERAL TOLERANCES (UNLESS SPECIFIED)		CHK'D: KBORUSZEWSKI 2018/01/26		SD-160073-001	
	ANGULAR TOL ± 3.0°		APPR: MVANSLAMBROU 2018/02/02			
	4 PLACES ±		INITIAL REVISION:		GENERAL MARKET	
	3 PLACES ±		DRWN: CYMA 2016/07/20			
2 PLACES ± 0.1		APPR: KDEKOSKI 2017/02/08		SHEET NUMBER		
1 PLACE ± 0.3		DRAFT WHERE APPLICABLE MUST REMAIN WITHIN DIMENSIONS		5 OF 6		
0 PLACES ±		THIRD ANGLE PROJECTION	DRAWING	SERIES	MATERIAL NUMBER	
			A1-SIZE	160073	CUSTOMER	

# TERMINAL AND CABLE SEAL

22	34083-2003	RIGHT	TIN	22	E-1644-01	1.19-1.65	PINK
22	34083-3003	LEFT	TIN	22			
22	34081-2005	RIGHT	GOLD	22			
22	34081-3005	LEFT	GOLD	22	E-1644-00	1.60-2.10	GREEN
20	34083-2002	RIGHT	TIN	18/20			
20	34083-3002	LEFT	TIN	18/20			
20	34081-2004	RIGHT	GOLD	18/20			
20	34081-3004	LEFT	GOLD	18/20			
18	34083-2002	RIGHT	TIN	18/20			
18	34083-3002	LEFT	TIN	18/20	E-1644-02	2.10-2.50	YELLOW
18	34081-2004	RIGHT	GOLD	18/20			
18	34081-3004	LEFT	GOLD	18/20			
16	34083-2001	RIGHT	TIN	16	E-1644-02	2.10-2.50	YELLOW
16	34083-3001	LEFT	TIN	16			
16	34081-2003	RIGHT	GOLD	16			
16	34081-3003	LEFT	GOLD	16	QSR P/N	WIRE OD RANGE	COLOR
AWG	PART NUMBER	PAYOFF DIRECTION	PLATING	GRIP			
WIRE SIZE	CABLE SEAL						
TERMINAL *PREFERRED* (SEE NOTE 5 FOR OPTIONAL TERMINALS)					CABLE SEAL (QSR)		

SYMBOLS	THIS DRAWING CONTAINS INFORMATION THAT IS PROPRIETARY TO MOLEX ELECTRONIC TECHNOLOGIES, LLC AND SHOULD NOT BE USED WITHOUT WRITTEN PERMISSION		CURRENT REV DESC:		<b>molex</b>			
= 0	DIMENSION UNITS	SCALE	EC NO: 171123 DRWN: PXU25 2017/12/26 CHK'D: KBORUSZEWSKI 2018/01/26 APPR: MVANSLAMBROU 2018/02/02		RECEPTACLE ASSEMBLY 3-WAY USCAR CONNECTOR 1.5MM CABLE SEAL			
= 0	mm	1:1						
= 0	GENERAL TOLERANCES (UNLESS SPECIFIED)				PRODUCT CUSTOMER DRAWING			
= 0	ANGULAR TOL	± 3.0°						
= 0	4 PLACES	±	INITIAL REVISION: DRWN: CYMA 2016/07/20 APPR: KDEKOSKI 2017/02/08		DOCUMENT NUMBER	DOC TYPE	DOC PART	REVISION
= 0	3 PLACES	±			SD-160073-001	PSD	001	R
= 0	2 PLACES	± 0.1	DRAFT WHERE APPLICABLE MUST REMAIN WITHIN DIMENSIONS		MATERIAL NUMBER	CUSTOMER	SHEET NUMBER	
= 0	1 PLACE	± 0.3			A1-SIZE	160073	GENERAL MARKET	6 OF 6
= 0	0 PLACES	±	THIRD ANGLE PROJECTION		DRAWING SERIES		MATERIAL NUMBER	
= 0	DRAFT WHERE APPLICABLE MUST REMAIN WITHIN DIMENSIONS							

