

6

5

4

3

2

1

E

E

D

D

C

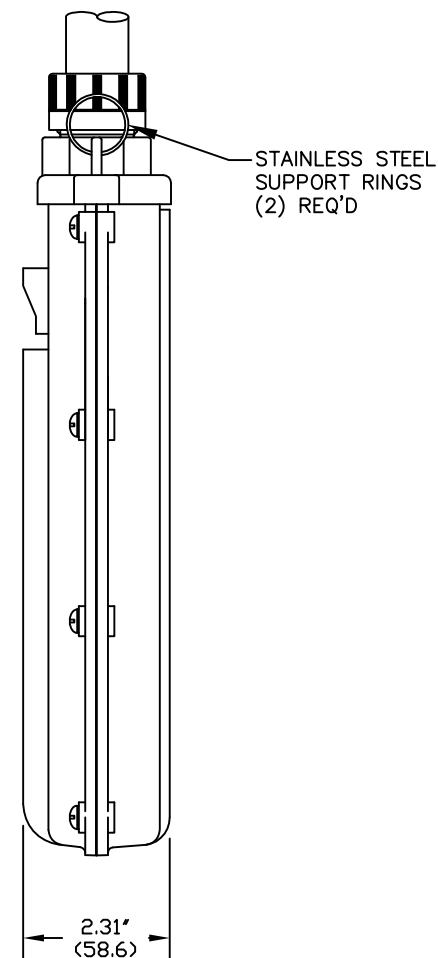
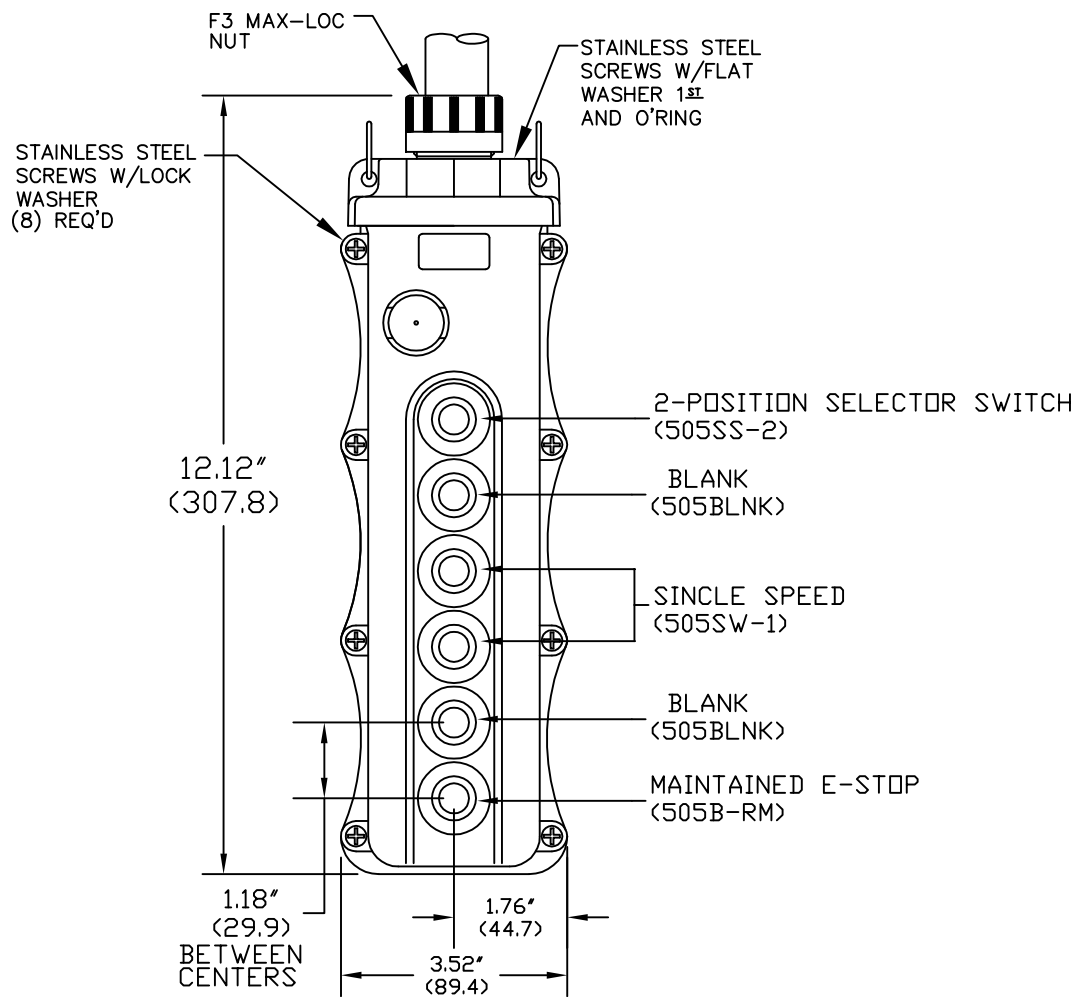
C

B

B

A

A



NOTES:

1. INSTALLATION INSTRUCTIONS, BUTTON ID. LABELS. ARE PACK WITH THE PART.
2. ALL BUTTONS ARE HIGH AMBIENT, CHEMICALLY RESISTANT MATERIAL - COLOR BLACK

RELEASE DRAWING EC NO: WNA209-0855 DRWN: TVICKERS 6/19/09 CHKD: HK APPR: DITLUS 2009/07/02	QUALITY SYMBOLS $\nabla=0$ $\nabla C=0$	GENERAL TOLERANCES (UNLESS SPECIFIED)		DIMENSION STYLE INCH/MM	SCALE NTS	DESIGN UNITS INCH	THIRD ANGLE PROJECTION	
			mm	INCH	DRAWN BY TV	DATE 2009/06/19	TITLE 5056 W/ 505SS-2 505B-RM	
		4 PLACES	±----	±----	CHECKED BY HK	DATE 2009/06/19	MOLEX INCORPORATED	
		3 PLACES	±----	±.005	APPROVED BY DT	DATE 2009/06/19		
2 PLACES	±----	±.010	ANGULAR ±.5°		MATERIAL NO. 1301260315		DOCUMENT NO. SD-130126-030	
1 PLACE	±----	±.020	DRAFT WHERE APPLICABLE MUST REMAIN WITHIN DIMENSIONS		SHEET NO. 1 OF 1			
A	REV	SIZE A		THIS DRAWING CONTAINS INFORMATION THAT IS PROPRIETARY TO MOLEX INCORPORATED AND SHOULD NOT BE USED WITHOUT WRITTEN PERMISSION				

6

5

4

3

2

1