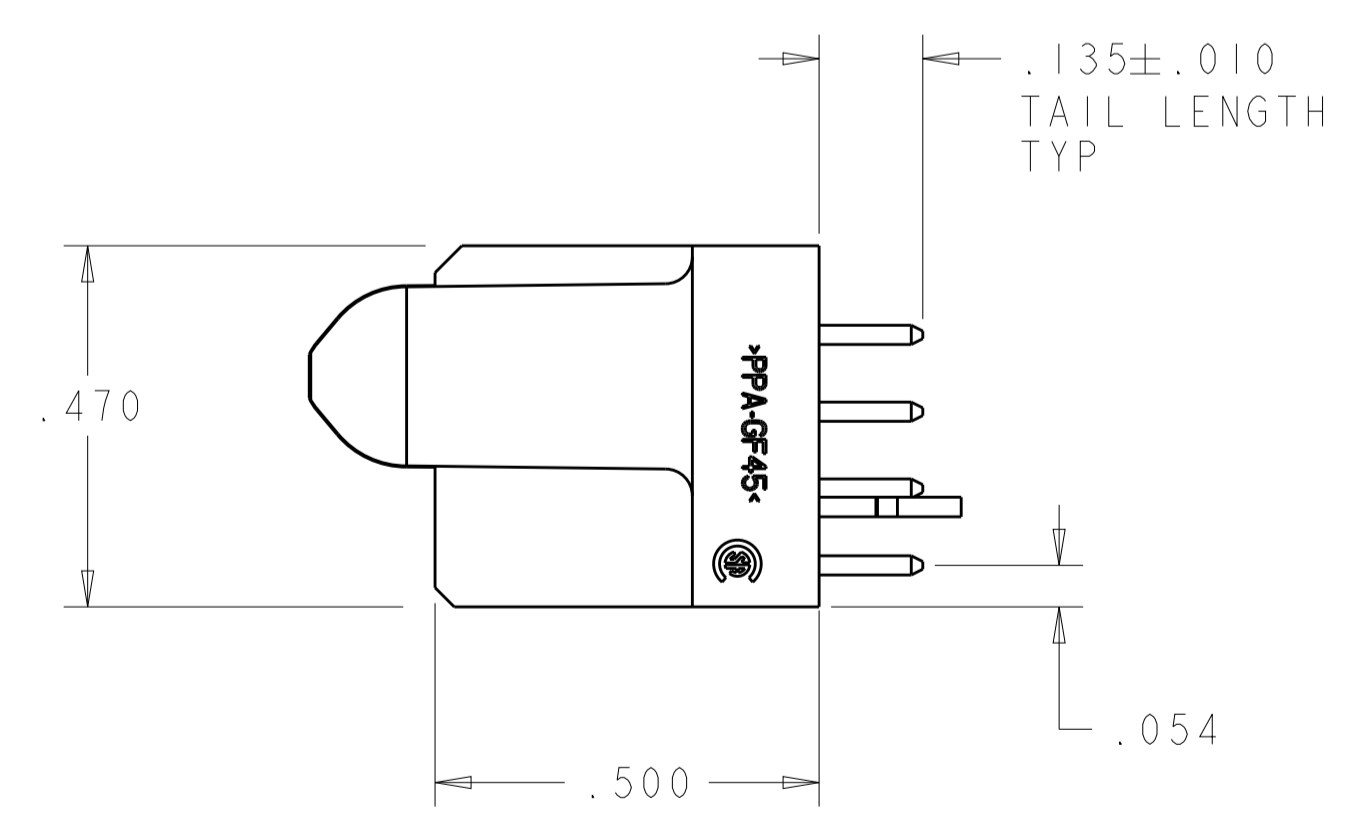
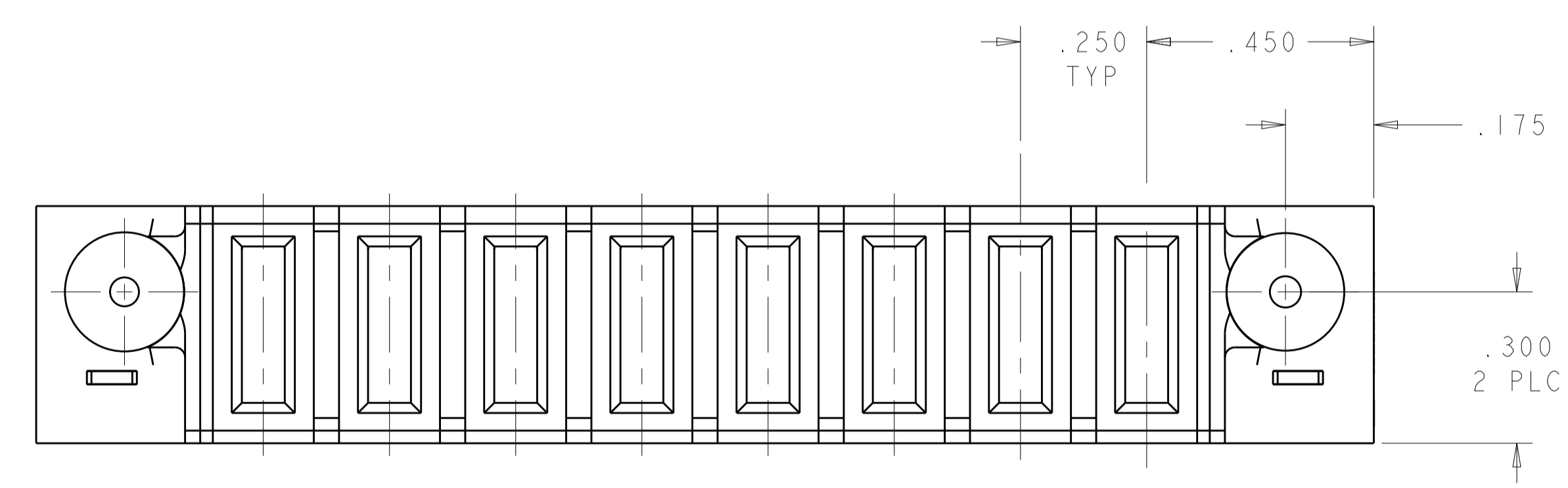
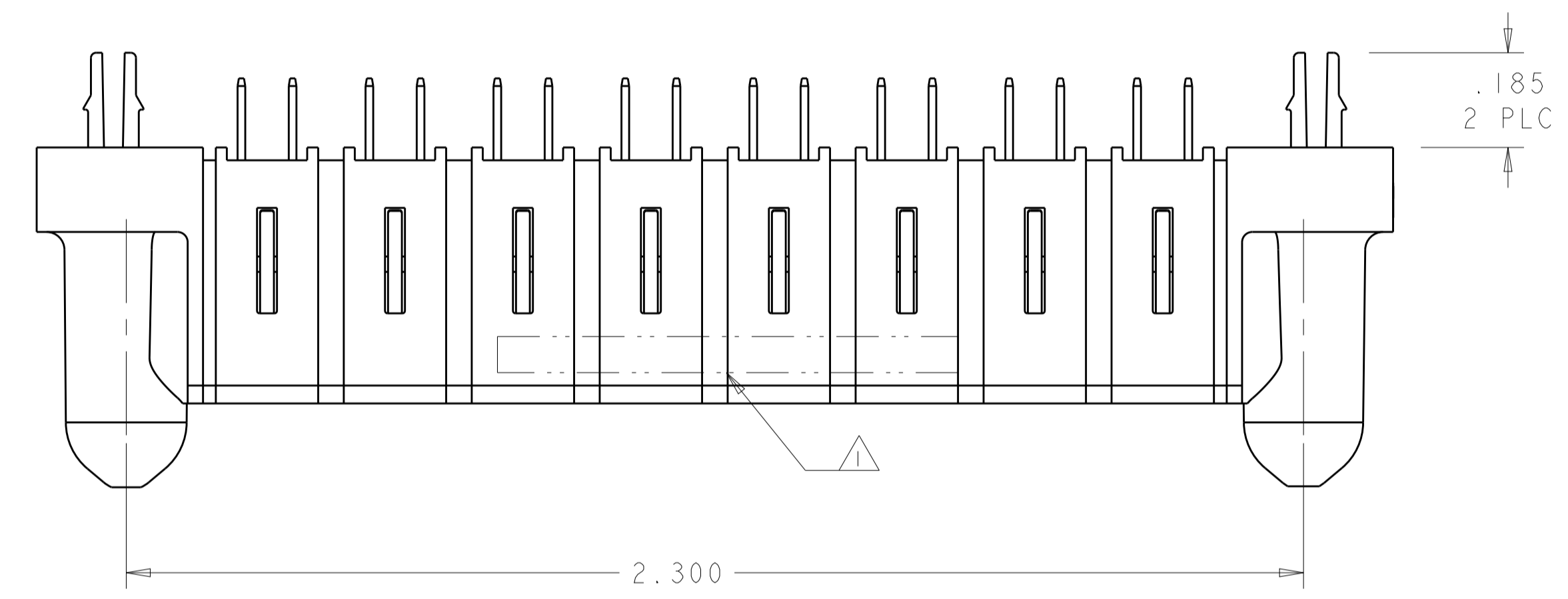
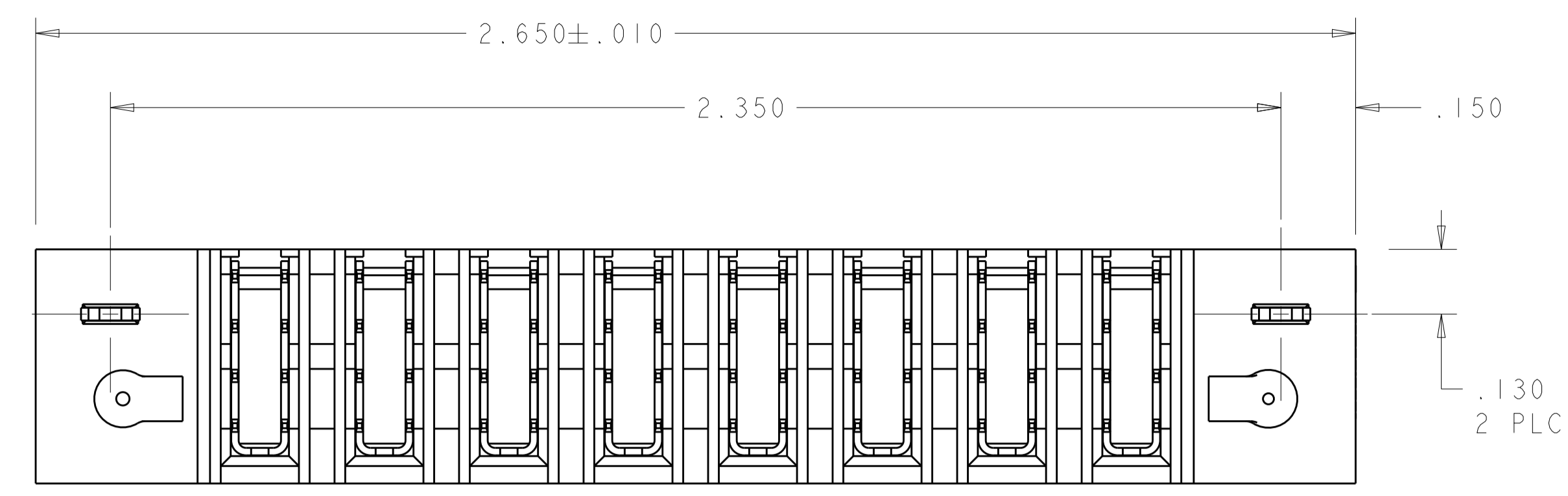


REVISIONS				
P	LTN	DESCRIPTION	DATE	DWN APVD
1		PROPOSED DESIGN	01AUG2005	RG MP
2		REMOVE "PROPOSAL ONLY"	17SEP2014	CZ SZ



- 1 PART NUMBER, AND DATE CODE MARKED IN AREA SHOWN.
- 2 MATERIAL:  
HOUSING - GLASS FILLED HIGH TEMP THERMO PLASTIC, UL94 V-0  
POWER CONTACT - HIGH CONDUCTIVITY COPPER ALLOY
- 3 CONTACT PLATING: NOBLE METAL PLATING ON CONTACT FUNCTIONAL AREA OF POWER AND SIGNAL CONTACTS
- 4 MECHANICAL CONNECTOR KEEP OUT ZONE.
- 5 DATUM AND BASIC DIMENSIONS ESTABLISHED BY CUSTOMER.
- 6 PCB - ALL HOLE DIAMETERS ARE FINISHED HOLE SIZES.
- 7 PCB - .0453 ± .0010 DRILLED HOLES PLATED WITH .0003 MIN Sn OVER .001 TO .003 Cu PLATING TO ACHIEVE A .040 HOLE.

8P	6450153-1
DESCRIPTION	PART NUMBER

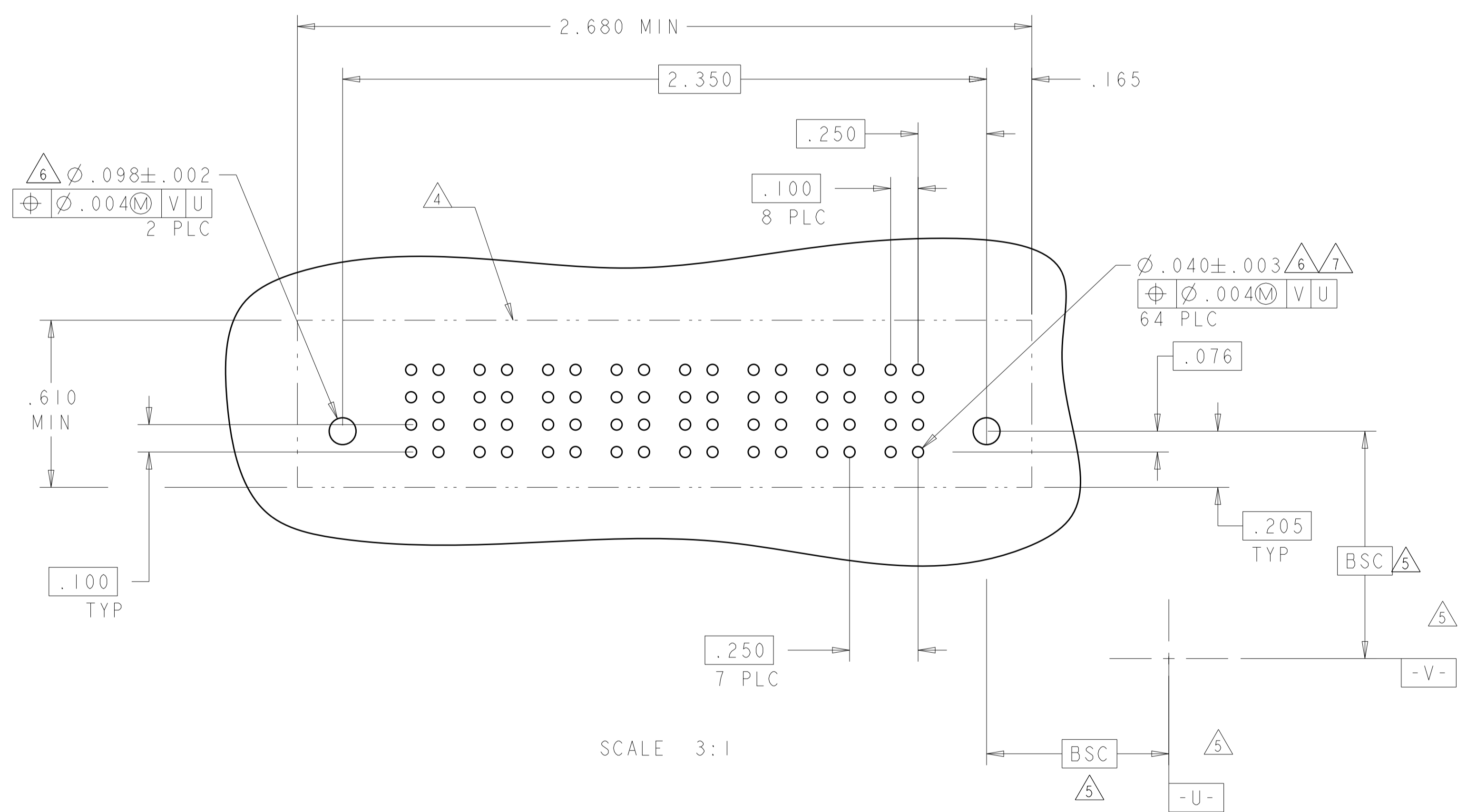
THIS DRAWING IS A CONTROLLED DOCUMENT.		DWN: R. GRZYBOWSKI CHK: M. PERCHERKE APVD: M. PERCHERKE	01AUG05 01AUG05	NAME: -	
DIMENSIONS: INCHES	TOLERANCES UNLESS OTHERWISE SPECIFIED:	PRODUCT SPEC	108-1973	RESTRICTED TO	
0 PLC ±0.0	1 PLC ±0.01	APPLICATION SPEC	114-13038	A1	
2 PLC ±0.005	3 PLC ±0.0020	FINISH	WEIGHT	SCALE 4:1 SHEET 1 OF 2 REV 2	
4 PLC ±0.0020	ANGLES ±7°	MATERIAL	CUSTOMER DRAWING		



VERTICAL RECEPTACLE ASSEMBLY  
 MULTI-BEAM XL, PWR, W/GUIDES  
 HOLD DOWNS, .135 SOLDER LEGS

REVISIONS				
P.	LTN	DESCRIPTION	DATE	APVD
-	-	SEE SHEET 1	-	-

PART NUMBER	ROWS	POWER									
		P8	P7	P6	P5	P4	P3	P2	P1		
6450153-1	D	HD	VM	VM	VM	VM	VM	VM	VM	VM	HD
	C										
	B										
	A										
8P											



SCALE 3:1

QTY	DESCRIPTION	IDENTIFIER
1	HOUSING, VERTICAL RECEPTACLE, MULTI-BEAM XL	HOUSING
2	HOLD DOWN FOR MINIPAK HDL 0255 THICK AND DTM9 RECENTERED	HD
8	VERT. RECEPT. POWER CONTACT, STD, .135 TAIL LENGTH	VM

THIS DRAWING IS A CONTROLLED DOCUMENT.		OWN: R. GRZYBOWSKI CHK: M. PERCHERKE APVD: M. PERCHERKE	DTAUG05 DTAUG05	TE Connectivity VERTICAL RECEPTACLE ASSEMBLY MULTI-BEAM XL, PWR, W/GUIDES HOLD-DOWNS, .135 SOLDER LEGS
DIMENSIONS: INCHES	TOLERANCES UNLESS OTHERWISE SPECIFIED:	PRODUCT SPEC 108-1973	APPLICATION SPEC 114-13038	
MATERIAL	FINISH	WEIGHT	RESTRICTED TO	SIZE: A1 CAGE CODE: - DRAWING NO: 6450153 CUSTOMER DRAWING
SCALE 4:1			SHEET 2 OF 2	REV 2