

820B YYY - 2 1 3 R 00 1

SERIES 9.50 [0.374]  
 # OF POSITIONS (Ex. 002)  
 \*\*SEE CHART A\*\*  
 2 = FEMALE  
 1 = GOLD FLASH  
 RoHS COMPLIANT  
 NICKEL/CHROME PLATED SHELL  
 VERTICAL (PANEL MOUNT)

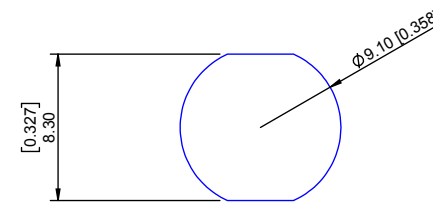
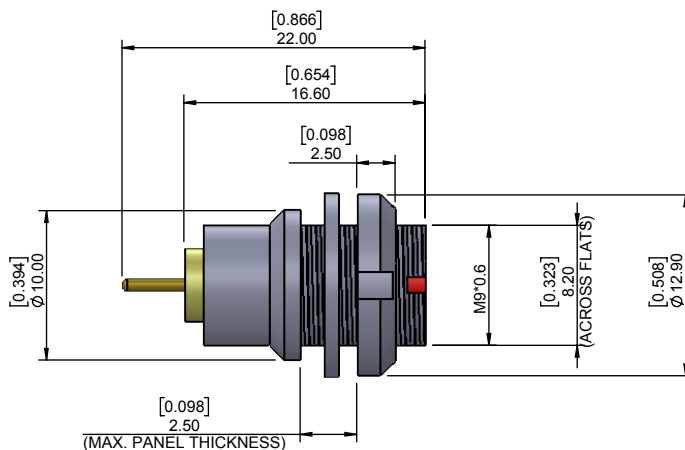
CHARACTERISSTICS MATERIALS

SHELL : BRASS  
 SHELL PLATING : NICKEL  
 NUT : BRASS  
 NUT PLATING : NICKEL  
 LATCH SLEEVE : BRASS  
 LATCH SLEEVE PLATING : NICKEL  
 CONTACTS : COPPER ALLOY  
 CONTACT PLATING : 7µ" GOLD PLATED OVER 196µ" NICKEL MIN.  
 INSULATOR : PPS (HIGH TEMPERATURE)

MECHANICAL

DURABILITY: 5000 CYCLES  
 OPERATING TEMP. RANGE: -40° C ~ +200° C  
 PROCESS TEMPERATURE : 260°C FOR 5 SECONDS  
 MAX. TORQUE VALUE : 2.5 Nm [22.1 IN/lbs]  
 SHIELDING: 75dB @ 10MHz  
 40dB @ 1GHz

IP RATING: 50



PANEL CUTOUT

TOLERANCE = +0.10, -0.0  
 [+0.004, -0.00]

CHART A

● = KEY LOCATION

\*\*VIEW FROM TERMINATION END\*\*

 2 POSITION 10 AMP MAX. PIN Ø = 0.90 [0.035]	 3 POSITION 8 AMP MAX. PIN Ø = 0.90 [0.035]	 4 POSITION 7 AMP MAX. PIN Ø = 0.70 [0.028]	 5 POSITION 6.5 AMP MAX. PIN Ø = 0.70 [0.028]	 6 POSITION 2.5 AMP MAX. PIN Ø = 0.50 [0.020]	 7 POSITION 2.5 AMP MAX. PIN Ø = 0.50 [0.020]	 9 POSITION 2 AMP MAX. PIN Ø = 0.50 [0.020]
CONTACT RESISTANCE = 6 mΩ TEST VOLTAGE = 1000V WORKING VOLTAGE = 330V	CONTACT RESISTANCE = 6 mΩ TEST VOLTAGE = 1200V WORKING VOLTAGE = 400V	CONTACT RESISTANCE = 7.5 mΩ TEST VOLTAGE = 850V WORKING VOLTAGE = 280V	CONTACT RESISTANCE = 7.5 mΩ TEST VOLTAGE = 850V WORKING VOLTAGE = 280V	CONTACT RESISTANCE = 10 mΩ TEST VOLTAGE = 850V WORKING VOLTAGE = 280V	CONTACT RESISTANCE = 10 mΩ TEST VOLTAGE = 800V WORKING VOLTAGE = 260V	CONTACT RESISTANCE = 10 mΩ TEST VOLTAGE = 600V WORKING VOLTAGE = 200V

\*\*NOTE\*\*  
 SEE PAGE 2 FOR BOARD LAYOUTS

RoHS COMPLIANT



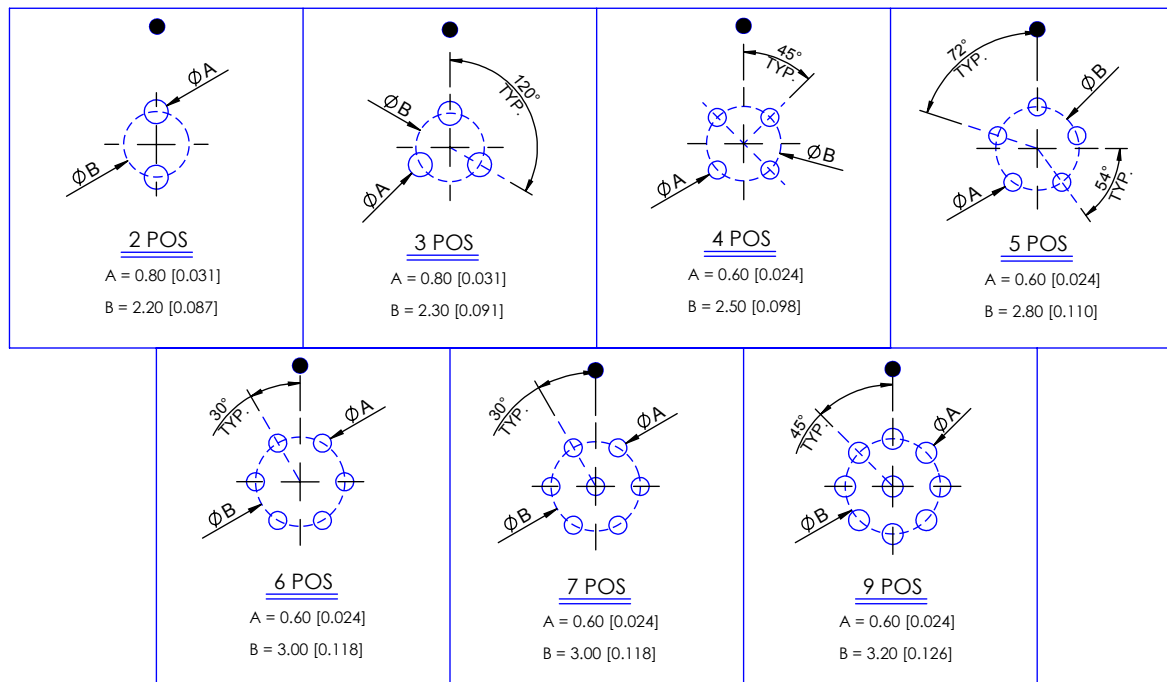
THESE DRAWINGS AND SPECIFICATIONS ARE THE PROPERTY OF NorComp AND SHALL NOT BE REPRODUCED, COPIED OR USED AS THE BASIS FOR THE MANUFACTURE OR SALE OF APPARATUS WITHOUT WRITTEN PERMISSION.

NorComp

DRAWN: M. SIGMON	DATE: 02-08-16	SCALE: N.T.S.	SHEET 1 OF 2	REV: 2
DWG NO. 820BYYY-213R001				

# BOARD LAYOUTS

● = KEY LOCATION



**RoHS COMPLIANT**

THESE DRAWINGS AND SPECIFICATIONS ARE THE PROPERTY OF NorComp AND SHALL NOT BE REPRODUCED, COPIED OR USED AS THE BASIS FOR THE MANUFACTURE OR SALE OF APPARATUS WITHOUT WRITTEN PERMISSION.

NorComp

DRAWN: M. SIGMON

DATE: 02-08-16

SCALE: N.T.S.

SHEET 2 OF 2

REV: 2

DWG NO. 820BYYY-213R001