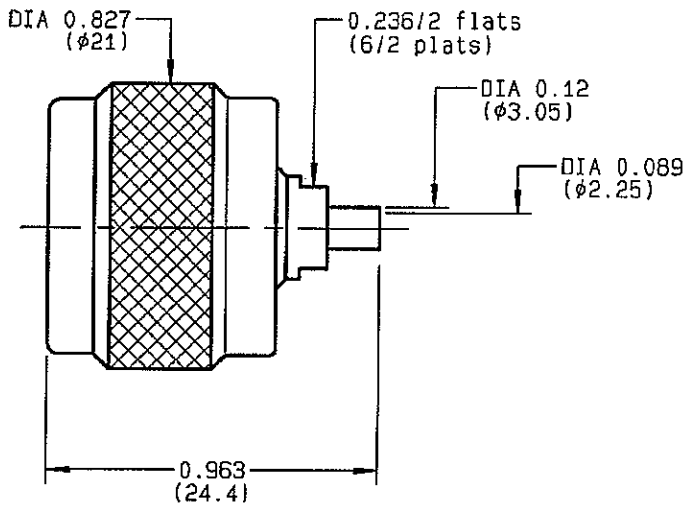


STRAIGHT PLUG SOLDER TYPE CABLE .085	R161.050.300 SERIES N
---	--



NOMINAL IMPEDANCE	50 Ω	CABLES : KS 1
FREQUENCY RANGE	0-11 GHz	RG 405
TEMPERATURE RATING	-55/+105 °C	
V.S.W.R	1.25 + x F(GHz)Max:	
RF INSERTION LOSS	0.048 √F(GHz) dB Max:	
VOLTAGE RATING	335 V _{eff} Max:	
DIELECTRIC WITHSTANDING VOLTAGE	1000 V _{eff} Mini:	
INSULATION RESISTANCE	5000 MΩ Mini	OTHERS CHARACTERISTICS
HERMETIC SEAL	NA Atm.cm ³ /s	CABLE RETENTION
LEAKAGE (pressurized only)	NA	200 N Mini
MECHANICAL DURABILITY	500 Cycles	CENTER CONTACT RETENTION
WEIGHT	25.56 gr	Axial force - mating end
SPECIFICATION		NA N Mini
		Axial force - opposite end
		NA N Mini
		Torque
		NA cm.N Mini
		RECOMMENDED TORQUES
		Mating
		130 cm.N
		Panel nut
		NA cm.N
		Clamp nut
		NA cm.N

CONNECTOR PARTS	MATERIALS	FINISH <small>(all values are given in micrometers)</small>
BODY	BRASS	GOLD 0.2 OVER NICKEL 2
OUTER CONTACT		
CENTER CONTACT	BRASS	GOLD 0.5 OVER NICKEL 2
INSULATOR	PTFE	-
GASKET	SILICONE RUBBER	-
OTHERS PIECES	BRASS	BBR 2

QUERIN

ISSUE 0630 B	CREATION DATE 14/01/1997	FILE PART-NUMBER EPC 96-07	RADIALL®
------------------------	------------------------------------	--------------------------------------	-----------------

The information given here is subject to change without notice. Design changes may be in order to improve the product.

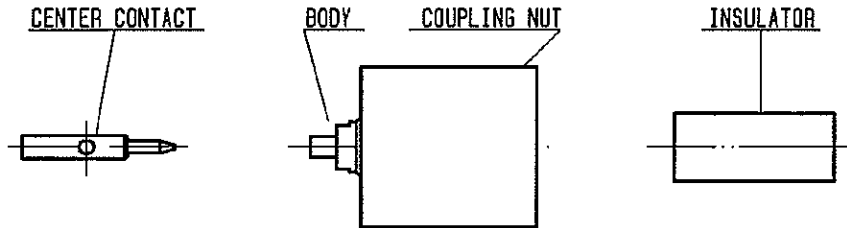
Connect to the future



R161.050.300

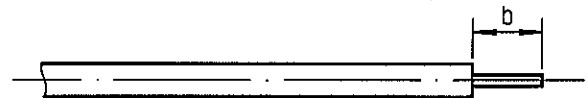
ISSUE **0630 B**

SERIES
N



①

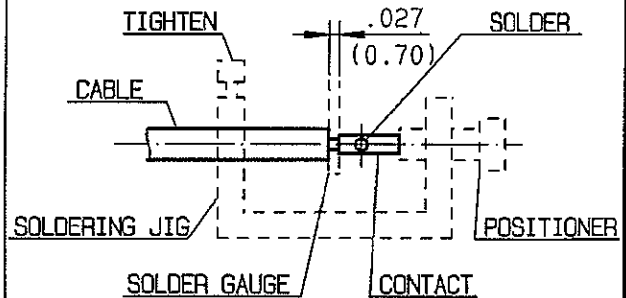
Take the tool kit : R 282 125 010 .
Strip the dielectric of the cable .
Stripping tool cable : R 282 051 .
Trimmer : R 282 063
Clean the cable .



Stripping	a	b	c	d	e
inch	0	0.1250	0	0	0
mm		3.17			

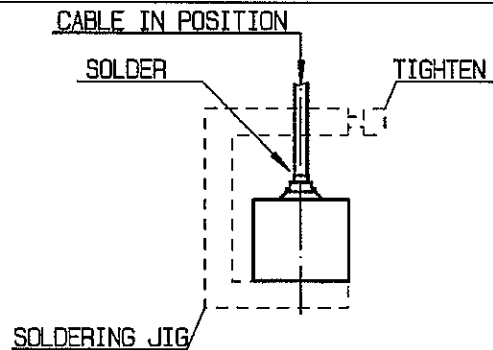
②

Screw the positioner R 282 744 261 onto the soldering jig R 282 740 030 .
Slide contact into positioner .
Insert solder gauge R 282 862 090 between contact and cable .
Tighten and solder the contact .



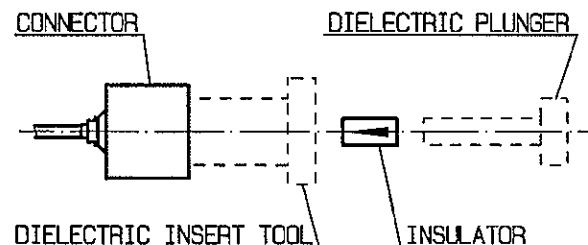
③

After cooling remove cable assembly from the jig .
Slide cable into the connector until it bottoms against the body .
Tighten .
Put 3 rings of solder around the cable and solder .



○

After cooling remove cable assembly from the jig .
Screw female dielectric insert tool onto connector and insert insulator with the dielectric plunger (R 282 730 161) .



QUERIN