

TMC 7 B BUS CAP - Protective cover

1022224

<https://www.phoenixcontact.com/us/products/1022224>

Please be informed that the data shown in this PDF document is generated from our online catalog. Please find the complete data in the user documentation. Our general terms of use for downloads are valid.

Protective covers for TMC 7 single-pole bus bars. Cuttable, five positions, yellow.



Commercial data

Item number	1022224
Packing unit	1 pc
Sales key	CL09
Product key	CLA126
GTIN	4055626515823
Weight per piece (including packing)	8.8 g
Weight per piece (excluding packing)	8.8 g
Country of origin	DE

TMC 7 B BUS CAP - Protective cover



1022224

<https://www.phoenixcontact.com/us/products/1022224>

Technical data

Product properties

Type	Cover
Number of positions	5

Material specifications

Color	Silver
-------	--------

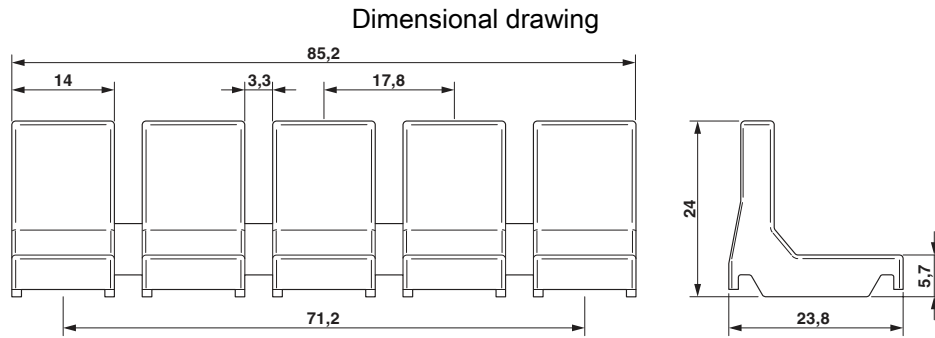
TMC 7 B BUS CAP - Protective cover



1022224

<https://www.phoenixcontact.com/us/products/1022224>

Drawings



TMC 7 B BUS CAP - Protective cover



1022224

<https://www.phoenixcontact.com/us/products/1022224>

Approvals

To download certificates, visit the product detail page: <https://www.phoenixcontact.com/us/products/1022224>



UL Listed

Approval ID: FILE E 123528



cUL Listed

Approval ID: FILE E 123528

cULus Listed

TMC 7 B BUS CAP - Protective cover



1022224

<https://www.phoenixcontact.com/us/products/1022224>

Classifications

ECLASS

ECLASS-11.0

27140492

Phoenix Contact 2023 © - all rights reserved

<https://www.phoenixcontact.com>

Phoenix Contact USA

586 Fulling Mill Road

Middletown, PA 17057, United States

(+717) 944-1300

info@phoenixcon.com