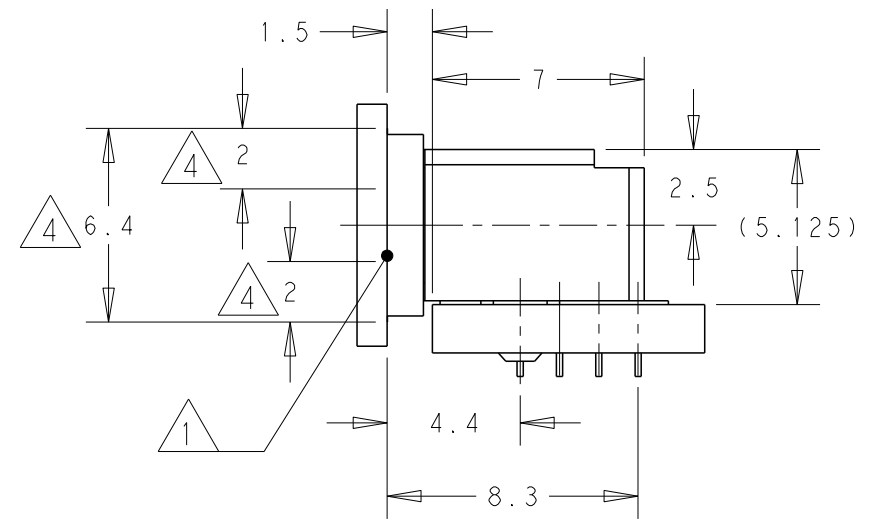
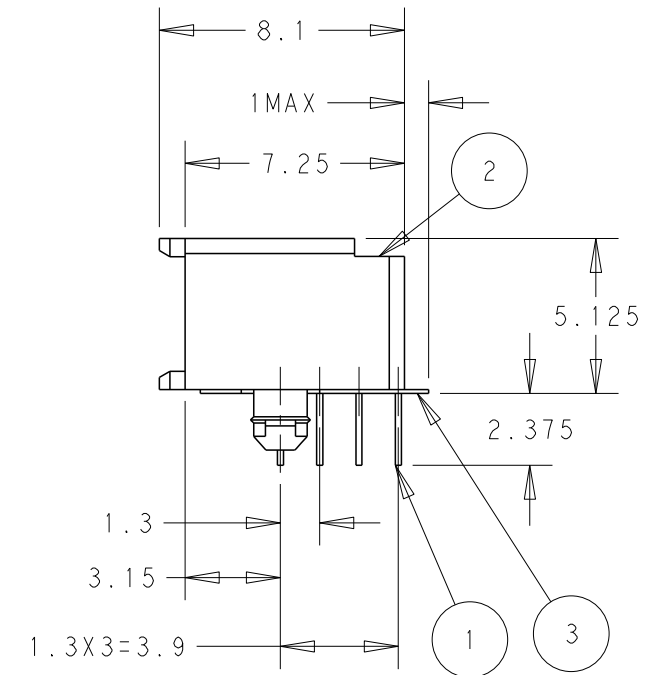
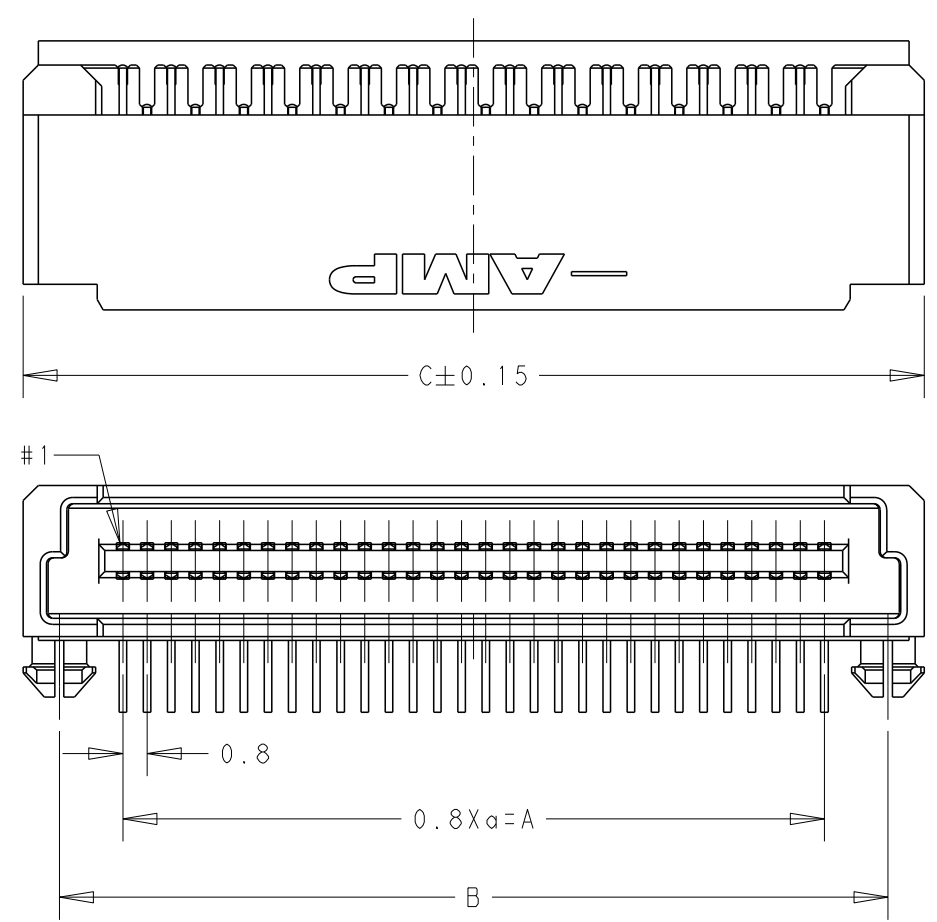


LOC	DIST	REVISIONS					
		P	LTR	DESCRIPTION	DATE	DWN	APVD
J	-		F1	REDRAWN	07SEP2010	T.K	M.K

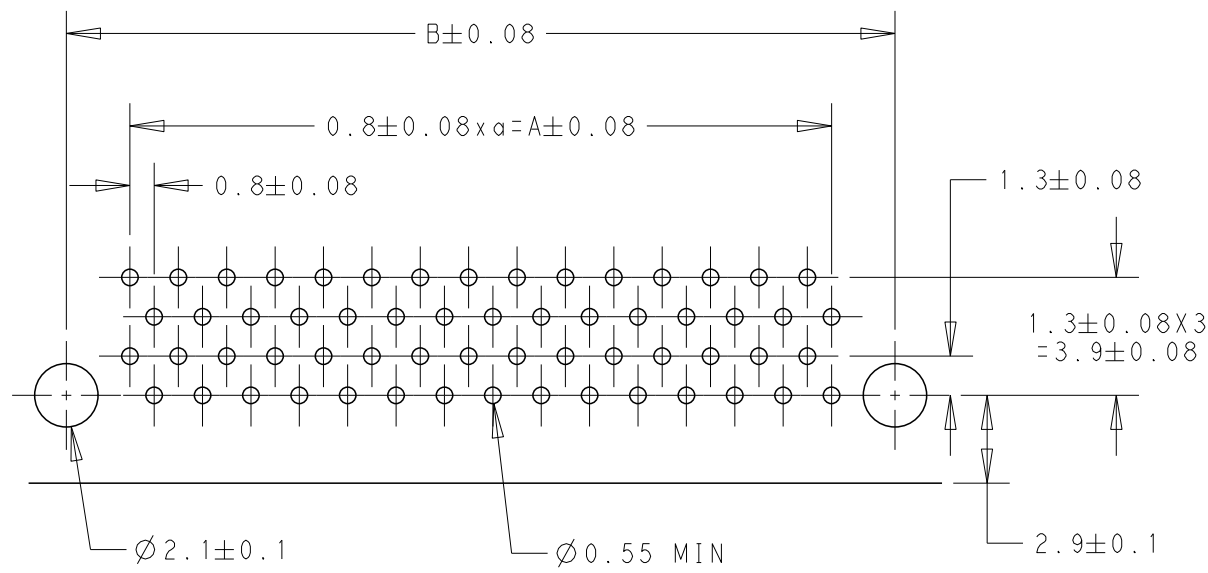


嵌合寸法図  
MATING DIMENSION

316229-□: AS SHOWN  
 316229-□: 本図

RoHS COMPLIANT

2.3g	37.8	35.4	31.2	39	80	316229-3
1.7g	29.8	27.4	23.2	29	60	316229-2
WEIGHT	C	B	A	α	POS NO	P/N



推奨基板寸法  
RECOMMENDED PCB DIMENSION

- 1 嵌合相手コネクタ 60極: 177983-2, 5177983-2  
80極: 177983-3, 5177983-3
- 2 推奨基板寸法 ±=1.6±0.16
- 3 コネクタ搭載側より見る
- 4 リセブタクルコネクタ用パッド寸法
- 1 MATING CONN 60POS: 177983-2, 5177983-2  
80POS: 177983-3, 5177983-3
- 2 RECOMMENDED PCB DIM ±=1.6±0.16
- 3 VIEW FROM CONN SIDE
- 4 PAD DIM FOR REC CONN

耐熱性フィルム(色:自然色) HEAT PROOF FILM(COLOR:NATURAL)	タインフィルム TINE FILM	3
6T ナイロン(色:自然色) 6T NYLON(COLOR:NATURAL)	ハウジング HOUSING	2
黄銅 BRASS 仕上 FINISH 下地: ニッケルメッキ 0.0012mmMIN UNDER: Ni 0.0012mmMIN 接点部: Au 0.0003mmMIN CONTACT AREA: Au 0.0003mmMIN 半田付部: Sn 0.002mmMIN SOLDERING AREA: Sn 0.002mmMIN	コンタクト CONTACT	1
材質 MATERIAL	名称 NAME	ITEM NO

THIS DRAWING IS A CONTROLLED DOCUMENT FOR TYCO ELECTRONICS CORPORATION. IT IS SUBJECT TO CHANGE AND THE CONTROLLING ENGINEERING ORGANIZATION SHOULD BE CONTACTED FOR THE LATEST REVISION.		DWN T. KANNO 07SEP2010	Tyco Electronics Corporation Kawasaki, Japan	
DIMENSIONS: 単位: 概 mm		CHK M. KIMURA 07SEP2010		
TOLERANCES UNLESS OTHERWISE SPECIFIED: 一般公差 ±0.3		APVD M. KIMURA 07SEP2010	NAME 名称 PLUG ASSEMBLY FH0.8mm PITCH BOARD TO BOARD CONN RIGHT ANGLE	
0-PLC ±		PRODUCT SPEC 製品規格 108-5390	SIZE A300779	
1-PLC ±0.5		APPLICATION SPEC 取付適用規格 -	CAGE CODE C=316229	
2-PLC ±0.13		WEIGHT -	DRAWING NO 番号 -	
3-PLC ±0.013		RESTRICTED TO -		
4-PLC ±0.0001		SCALE 尺度 4:1		
ANGLES ±3°		SHEET 1 OF 1		
FINISH 仕上 SEE TABLE		REV F1		
MATERIAL 材料 SEE TABLE		CUSTOMER DRAWING		