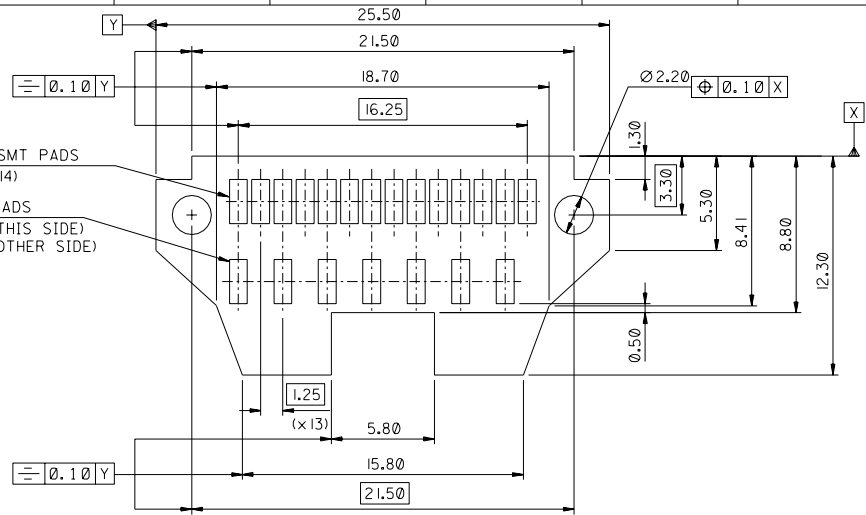
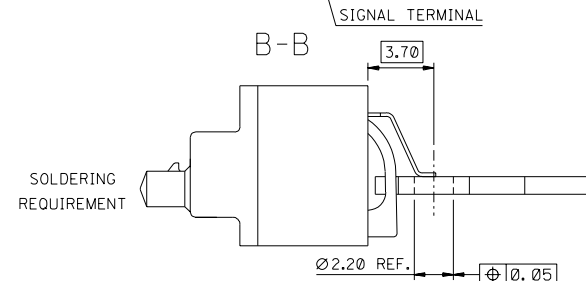
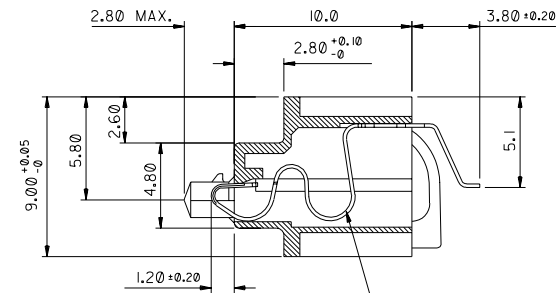
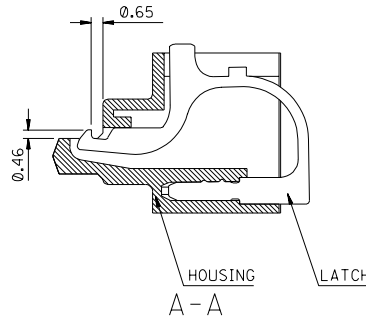


CONNECTOR SMT PADS
1.00x2.50 (x14)

WIRE SOLDER PADS
1.00x2.50 (x7 THIS SIDE)
1.00x2.50 (x7 OTHER SIDE)



RECOMMENDED PCB PATTERN
PCB THICKNESS 1.00±0.10

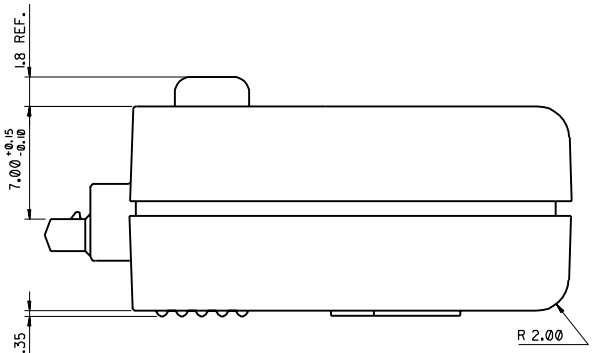
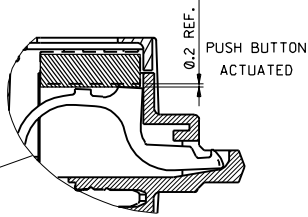
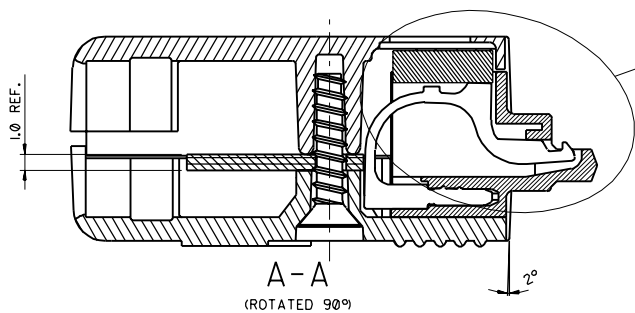
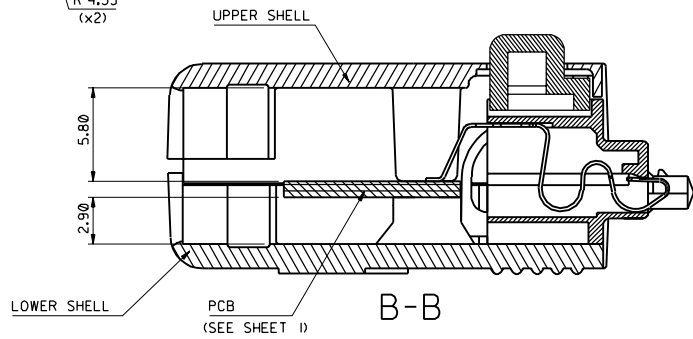
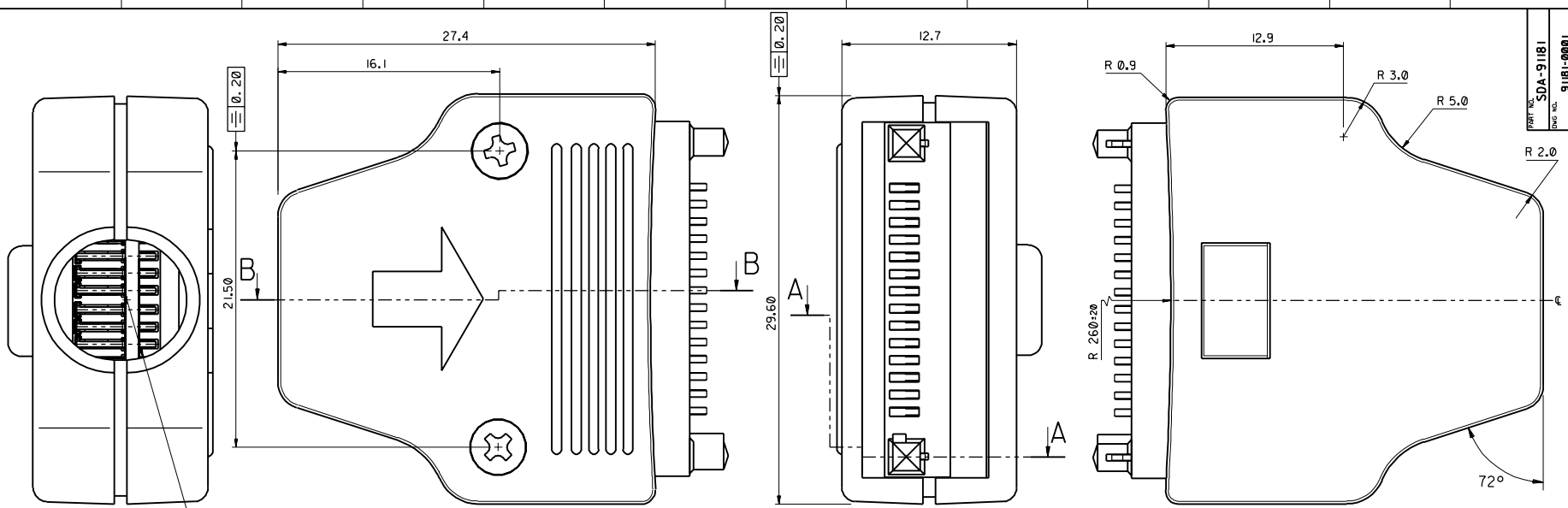


NOTES:

- MATERIALS: HOUSING: G.F. NYLON-46, COLOUR-BLACK.
SIGNAL TERMINALS: Ø.20 REF. THK. PHOSPHOR BRONZE.
PLATING: SOLDER AREA: 2µm MIN. Sn OVER Ni,
CONTACT AREA: GOLD FLASH OVER PdNi OVER Ni.
LATCH: Ø.40 REF. THK. EXTRA HARD 301 STAINLESS STEEL.
- PACKAGING: TRAY.
- SOLDER I.D. RIB RAISED 0.20 ABOVE FLOOR OF WELL, 0.20 MAX DEEP.

REMOVE LEAD EC NO. E20040574 DRW/DCARTON 04/02/26 CHK: / / / APPR: / / /	DESCRIPTION MAJOR CRITICAL C=	QUALITY SYMBOLS	GENERAL TOLERANCES: (UNLESS SPECIFIED)		SCALE 5:1	DESIGN UNITS <input checked="" type="checkbox"/> mm <input type="checkbox"/> INCH	THIRD ANGLE PROJECTION <input checked="" type="checkbox"/> THIRD ANGLE	DIMENSIONS:		SHT	REV
			mm	INCH				<input type="checkbox"/> mm <input type="checkbox"/> INCH	<input type="checkbox"/> mm <input type="checkbox"/> INCH		
REV	D	4 PLACES ±0. ±.	DRAWN BY & DATE DMCNAMAR 01/08/23		TITLE: MOBILE PHONE CONTACT UNIT						
			3 PLACES ±0. ±.	CHECKED BY & DATE BMAGUIRE 01/08/23		MATERIAL NO. 91181-5001 DRAWING NO. SDA-91181- SHEET NO. 1 OF 3					
		2 PLACES ±0.05 ±.	APPROVED BY & DATE MWILHITE 01/08/23		MOLEX INCORPORATED						
		1 PLACE ±0.10 ±.	ANGULAR: ± 1/2 °		THIS DRAWING CONTAINS INFORMATION THAT IS PROPRIETARY TO MOLEX INCORPORATED AND SHOULD NOT BE USED WITHOUT WRITTEN PERMISSION.						
DRAFT WHERE APPLICABLE MUST REMAIN WITHIN DIMENSIONS			SIZE C								

PART NO. 91181-5001
DWG NO. SDA-91181



- NOTES:
1. MATERIAL: SHELLS, PC/ABS, COLOUR-BLACK.
 2. FLEXIBLE BUTTON ACTIVATES LATCHES.
 3. SEE SHEET 1 FOR UNSPECIFIED INFORMATION RELATING TO CONTACT UNIT ASSY. 91181-5001.

PART NO. SDA-91181
 DWG NO. 91181-0001

FOR PREVIOUS DRAWING ISSUES SEE MRL.

AB SEE SHEET 1.

LT/REV	REVISIONS
1	PLACE ± 0.10
2	PLACE ± 0.10
3	PLACE ± 0.20

NOTE: DIMENSIONS MUST REMAIN WITHIN TOLERANCES

DESIGN DIMENSION (PRIMARY)	<input type="checkbox"/> IN.	<input checked="" type="checkbox"/> MM.
EQUIVALENT DIMENSION (SECONDARY)	<input type="checkbox"/> IN.	<input checked="" type="checkbox"/> MM.

DWG BY: FPH
 DWG BY:
 APPD BY:
 SCALE: 5:1

REVISE ONLY ON CAD SYSTEM		SHL	REV.
CAD/DRAW FILE NAME: SDA-91181.DWG			
TITLE: MOBILE PHONE PLUG CONNECTOR ASSEMBLY KIT			
MOLEX EUROPE		SHEET NO. DATE	
PART NO. 91181-0001	DWG NO. SDA-91181	20F	96/08/09
SCALE: 5:1			SIZE: C