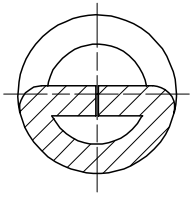
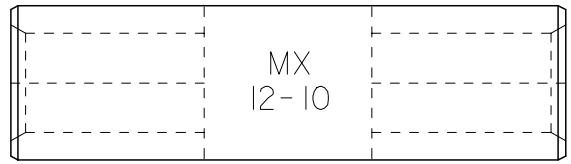
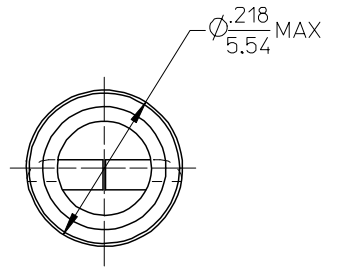
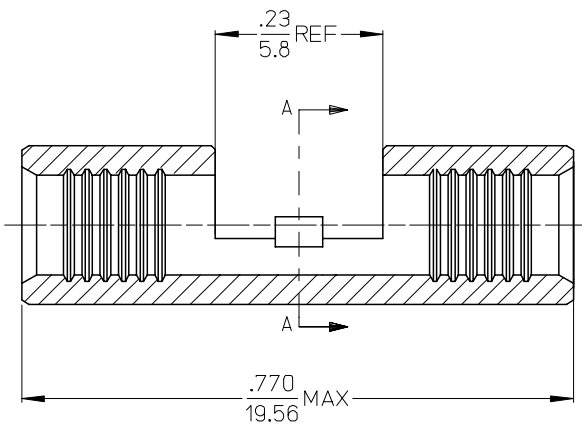


MATERIAL NUMBER	ENGINEERING NUMBER
191890014	C-142



SECTION A-A



- NOTES:
1. MATERIAL: COPPER (.038/9.65 THICK).
 2. PLATING: ELECTRO-TIN PLATING
 3. ALL DIMENSIONS IN INCHES/MM
WIRE SIZE 12-10AWG
4.0-6.0MM²

RELEASED EC NO: ETC2006-0214 DRWN:ASAYDEH 2006/01/31 CHKD: JLOMASTRO 2006/01/31 APPR:RDEROSS 2006/02/02	DESCRIPTION A	QUALITY SYMBOLS	GENERAL TOLERANCES (UNLESS SPECIFIED)	DIMENSION STYLE	SCALE	DESIGN UNITS	THIRD ANGLE PROJECTION	
		▼=0 ▽=0	mm INCH 4 PLACES ± --- ± --- 3 PLACES ± --- ± --- 2 PLACES ± --- ± --- 1 PLACE ± --- ± --- ANGULAR ± --- °	IN/MM	---	INCH	DRAWN BY ASAYDEH DATE 06/01/27 CHECKED BY JLOMASTRO DATE 06/01/27 APPROVED BY RDEROSS DATE 06/01/27	TITLE
			DRAFT WHERE APPLICABLE MUST REMAIN WITHIN DIMENSIONS	SEE CHART		MOLEX INCORPORATED	WINDOW BUTT SPLICE 12-10 AWG	