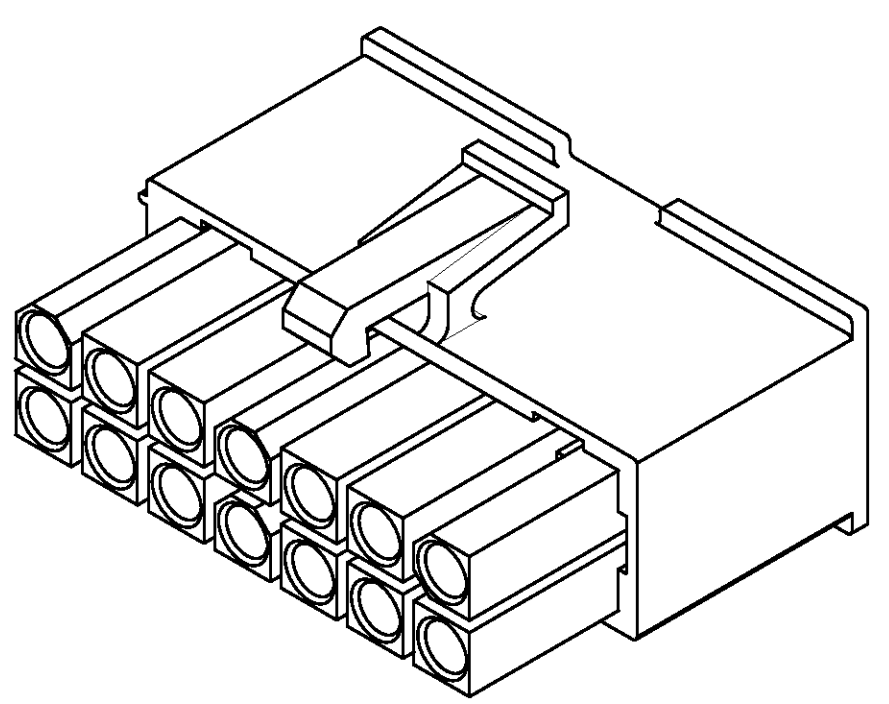
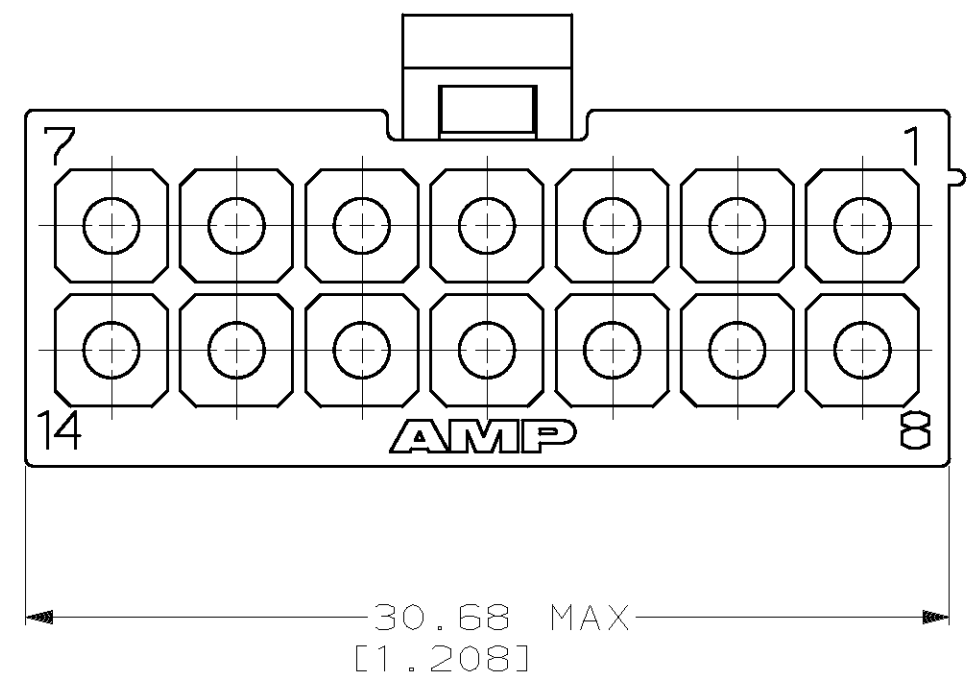
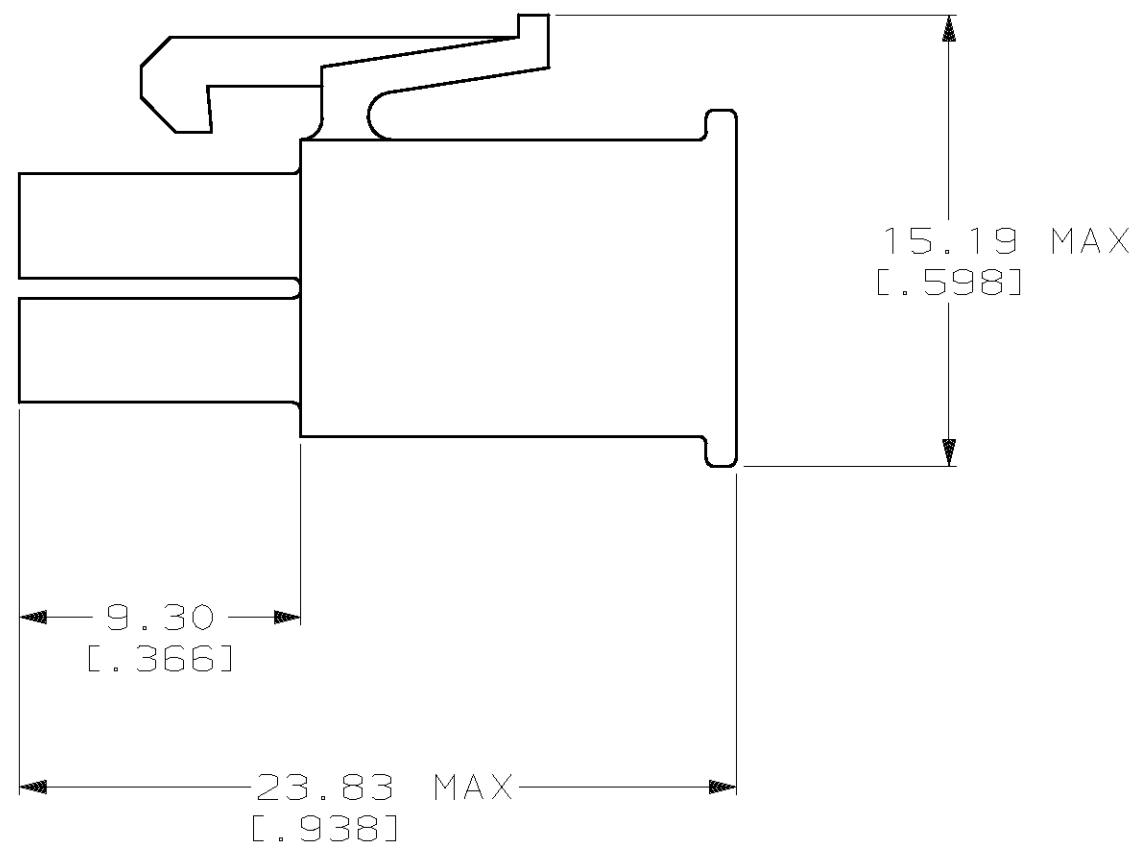
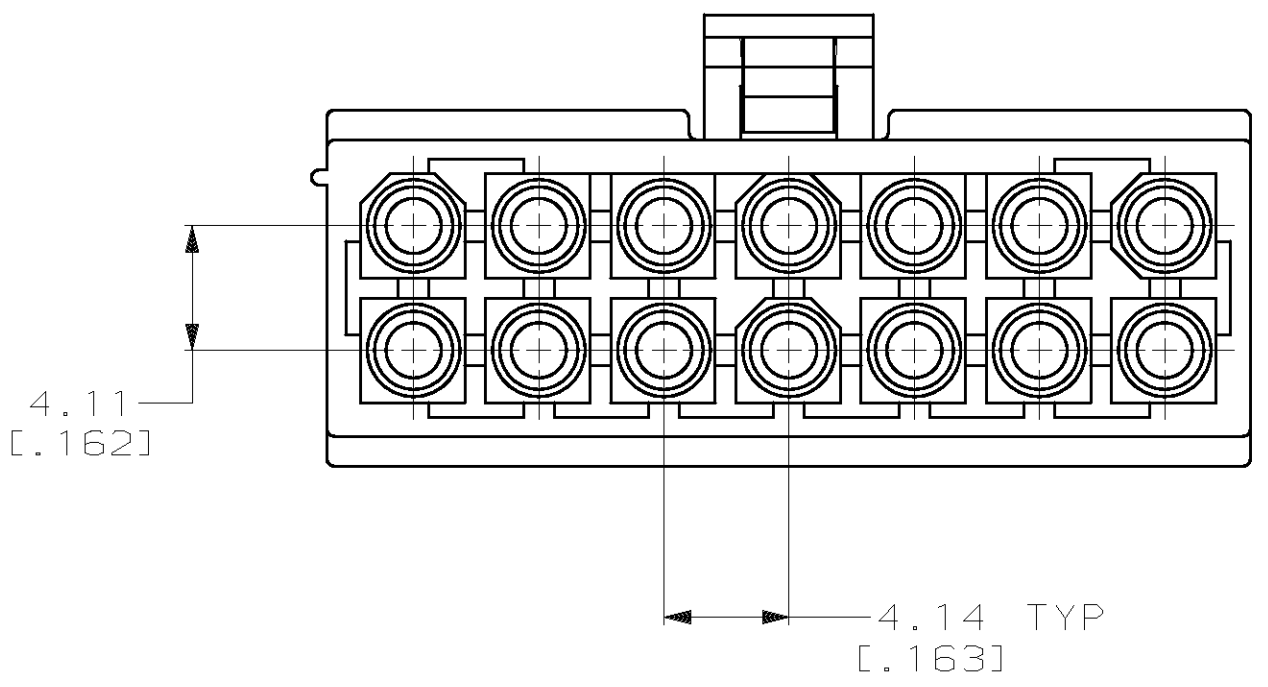


THIS DRAWING IS UNPUBLISHED. RELEASED FOR PUBLICATION, 19 .
 © COPYRIGHT 19 BY AMP INCORPORATED. ALL INTERNATIONAL RIGHTS RESERVED.

LOC		DIST		P		F		ZONE		LTR		REVISIONS		DATE	APPD	
CM	53												0	RLSD PER PR CM 97-64	5-12-97	BL RS

1. DIMENSIONS IN BRACKETS ARE IN INCHES.



3-DIMENSIONAL MODEL
NTS

METRIC

DO NOT SCALE PRINT. UNLESS SPECIFIED DIMENSIONS IN mm [INCHES] TOLERANCES ON : 2 PLC DEC ± - 3 PLC DEC ± 0.13 [.005] ANGLES ± -		DR B. LEWIS 5-12-97	AMP INCORPORATED Harrisburg, Pa. 17105		
MATERIAL NYLON, UL 94V-0 BLACK	CHK R. SWING 5-12-97	APPD R. ORSTAD 5-12-97			
FINISH -	APPD R. ORSTAD 5-12-97	PRODUCT SPEC -	NAME PLUG, 14 CIRCUIT, MINI UNIVERSAL MATE-N-LOK™		
WEIGHT -	APPLICATION SPEC -	SCALE 4:1	SIZE C	CAGE CODE 00779	DRAWING NO 794379
			PART NO 794379-1		
			SHEET 1 OF 1		

794379