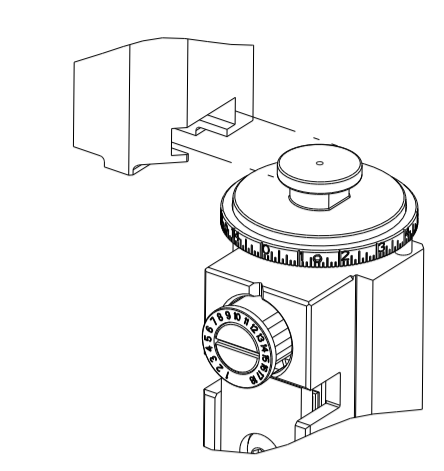


| PART NUMBER | REVISION | DESCRIPTION                      | FEED TYPE  |
|-------------|----------|----------------------------------|------------|
| 2151082-1   | K        | FINE CRIMP HEIGHT ADJUST         | MECHANICAL |
| 2151082-2   | L        | FINE CRIMP HEIGHT ADJUST         | PNEUMATIC  |
| 7-2151082-1 | K        | MECHANICAL AND CRIMP TOOLING KIT | MECHANICAL |
| 7-2151082-2 | L        | PNEUMATIC AND CRIMP TOOLING KIT  | PNEUMATIC  |
| 7-2151082-7 | E        | CRIMP TOOLING KIT                | -          |

ATLANTIC VERSION TERMINATOR INTERFACE ADAPTER



| APPLICATOR DATA |                |      |
|-----------------|----------------|------|
| CRIMP           | SIZE           | TYPE |
| WIRE            | 1.16 mm [.046] | F    |
| INSUL           | 1.35 mm [.053] | F    |

APPLICATOR INSTRUCTIONS  
408-35042

| TERMINAL DATA: TE TERMINAL             |                              | TE CRIMP SPECIFICATION |               |
|--|------------------------------|------------------------|---------------|
| TERMINAL NAME: DYNAMIC D1000-M CONTACT |                              |                        |               |
| WIRE STRIP LENGTH                      | INSULATION DIAMETER RANGE    |                        |               |
| 1.70-2.30 mm [.067-.091 IN]            | Ø1.08-1.60 mm [.043-.063 IN] |                        |               |
| TERMINAL APPLICATION SPECIFICATION     |                              |                        |               |
| (A)114-5377                            | -                            | -                      | -             |
| (C)114-5424                            | -                            | -                      | -             |
| TERMINALS APPLIED                      |                              |                        |               |
| TE TERMINAL                            | TE TERMINAL                  | TE TERMINAL            | TE TERMINAL   |
| (A) 1827570-2                          | (A) 1871303-1                | (A) 1903112-2          | (A) 1903120-1 |
| (A) 1939991-2                          | (A) 2367817-2                | (A) 2367819-2          | (C) 2400015-1 |

| TERMINAL DATA: TE TERMINAL         |                              | TE CRIMP SPECIFICATION |             |
|------------------------------------|------------------------------|------------------------|-------------|
| TERMINAL NAME: HD1 CONTACT M SIZE  |                              |                        |             |
| WIRE STRIP LENGTH                  | INSULATION DIAMETER RANGE    |                        |             |
| 1.70-2.30 mm [.067-.091 IN]        | Ø1.08-1.60 mm [.043-.063 IN] |                        |             |
| TERMINAL APPLICATION SPECIFICATION |                              |                        |             |
| (B)114-78021                       | -                            | -                      | -           |
| TERMINALS APPLIED                  |                              |                        |             |
| TE TERMINAL                        | TE TERMINAL                  | TE TERMINAL            | TE TERMINAL |
| (B) 2316663-2                      | (B) 2316670-2                |                        |             |

| WIRE SIZE | CRIMP HEIGHT mm [INCH]     | CRIMP HEIGHT REFERENCE SETTING |
|-----------|----------------------------|--------------------------------|
| 22 AWG    | 0.80+/-0.03 [.031+/- .001] | 4.6                            |
| 24 AWG    | 0.73+/-0.03 [.029+/- .001] | 5.3                            |
| 26 AWG    | 0.67+/-0.03 [.026+/- .001] | 6.0                            |
| 28 AWG    | 0.64+/-0.03 [.025+/- .001] | 6.3                            |

- 1. RECOMMENDED SPARE PARTS
- 2. REFER TO SUPPLIED INSTRUCTION SHEET FOR CLEANING, LUBRICATION AND STORAGE OF APPLICATOR.
- 3. APPLY PART NUMBER 2-23419-6 LOCTITE TO THREADS OF ITEM 242.
- 4. CRIMP HEIGHT REFERENCE SETTING WAS THE SETTING USED WHEN THE APPLICATOR WAS QUALIFIED AT THE FACTORY. ADJUSTMENT MAY BE NECESSARY WHEN RUNNING APPLICATOR IN THE FIELD.
- 5. UNLESS SPECIFIED OTHERWISE TORQUE VALUES SHALL BE USED PER DOCUMENT, 101-35000.

**\*WARNING**  
ON INSTALLATION, SET WIRE DISC TO CRIMP HEIGHT REFERENCE SETTING FOR LARGEST WIRE SIZE. CRIMP HEIGHT REFERENCE SETTINGS GREATER THAN THE VALUE SHOWN MAY CAUSE DAMAGE TO THE CRIMP TOOLING, REFER TO THE INSTRUCTION SHEET FOR PROPER SETUP AND ADJUSTMENTS.

| LOC | DIST | REVISIONS |     |               |           |     |      |
|-----|------|-----------|-----|---------------|-----------|-----|------|
|     |      | P         | LTN | DESCRIPTION   | DATE      | OWN | APVD |
| A   | 66   | K         |     | ECR-18-005151 | 07APR2018 | TB  | JDG  |
|     |      | K1        |     | ECR-18-008851 | 08JUN2018 | KH  | LZ   |
|     |      | L         |     | ECR-21-006794 | 09JUL2021 | FZ  | RK   |
|     |      | L1        |     | ECR-23-176986 | 31MAY2023 | FZ  | JAH  |

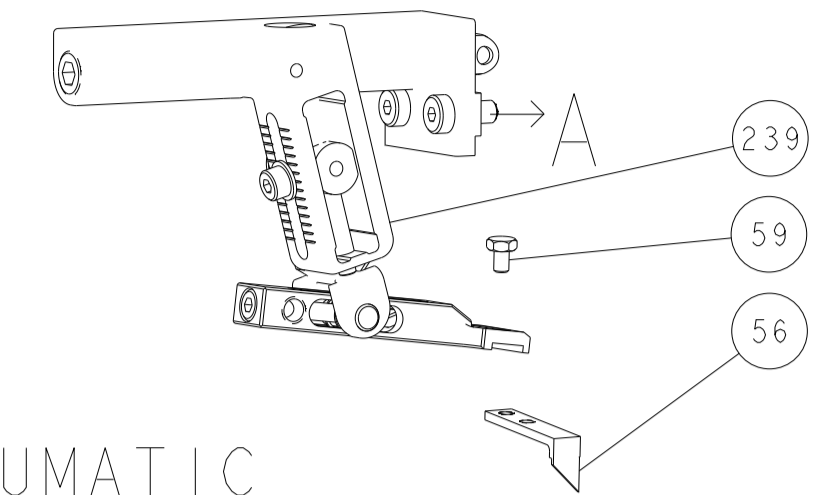
|   |     |     |     |     |             |                                     |         |
|---|-----|-----|-----|-----|-------------|-------------------------------------|---------|
| - | 1   | -   | 1   | -   | 2119641-1   | FEED CAM, AIR FEED                  | 248     |
| - | 1   | 1   | 1   | 1   | 2119082-9   | CAM, SNAIL, INSULATION ADJUSTMENT   | 244     |
| - | 1   | 1   | 1   | 1   | 2079764-1   | WASHER, WAVE SPRING, CREST-TO-CREST | 243     |
| - | 1   | 1   | 1   | 1   | 2119083-1   | RETAINER, INSULATION DIAL           | 242     |
| - | 1   | 1   | 1   | 1   | 7-18023-7   | SCR, SKT HD CAP M3 X 4.0            | 241     |
| - | -   | 1   | -   | 1   | 2119580-1   | MECHANICAL FEED ASSEMBLY            | 239     |
| - | 1   | -   | 1   | -   | 2844940-1   | AIR FEED MODULE                     | 238     |
| - | REF | REF | REF | REF | 994970-2    | COUNTER, MAGNETIC                   | 164     |
| - | 1   | 1   | 1   | 1   | 1-18028-2   | WASHER, FLAT, REG M4                | 119     |
| - | 1   | 1   | 1   | 1   | 2844908-1   | SCREW, LOCKING                      | 99      |
| - | 1   | 1   | 1   | 1   | 2844907-1   | POST, LOCKING                       | 98      |
| - | 1   | 1   | 1   | 1   | 455888-5    | SPACER, CRIMPER                     | 82      |
| - | 1   | 1   | 1   | 1   | 1803607-3   | DOCUMENTATION PACKAGE               | 71      |
| - | 1   | 1   | 1   | 1   | 2119791-5   | DEPRESSOR, WIRE                     | 70      |
| - | 1   | 1   | 1   | 1   | 2119740-1   | TAG, IDENTIFICATION                 | 67      |
| - | 2   | 2   | 2   | 2   | 2168078-1   | SCREW, DRIVE, RH, RoHS, 2 x .188    | 66      |
| - | 1   | 1   | 1   | 1   | 2168083-2   | SCR, SKT HD CAP, RoHS, M4 X 8.0     | 60      |
| - | 1   | 1   | 1   | 1   | 5-18022-5   | SCR, HEX HD CAP, M4 X 6.0           | 59      |
| - | 1   | 1   | 1   | 1   | 1338685-1   | PAWL, FEED                          | 56      |
| - | 2   | 2   | 2   | 2   | 2168083-3   | SCR, SKT HD CAP, RoHS, M4 X 12.0    | 54      |
| - | 2   | 2   | 2   | 2   | 2168083-5   | SCR, SKT HD CAP, RoHS, M4 X 6.0     | 53      |
| - | 1   | 2   | 1   | 2   | 18023-9     | SCR, SKT HD CAP M4 X 6.0            | 49      |
| - | -   | 1   | -   | 1   | 2119652-1   | FEED CAM, PRE FEED                  | 48      |
| - | -   | 1   | -   | 1   | 2119653-1   | FEED CAM, POST FEED                 | 47      |
| - | 1   | 1   | 1   | 1   | 1803583-9   | APPLICATOR BASIC ASSEMBLY, SF       | 46      |
| - | 1   | 1   | 1   | 1   | 1803515-1   | RAM ASSEMBLY, SF ATLANTIC           | 44      |
| - | 1   | 1   | 1   | 1   | 1803602-1   | SCR, BHSC, RoHS (M8 X 25)           | 41      |
| - | 2   | 2   | 2   | 2   | 2079383-5   | SCR, BHSC, RoHS (M4 X 20)           | 33      |
| - | 2   | 2   | 2   | 2   | 2-2844962-6 | SPACER, CYLINDRICAL, STRIP GUIDE    | 30      |
| - | 1   | 1   | 1   | 1   | 2844992-1   | ASSEMBLY, STRIP GUIDE               | 29      |
| - | 1   | 1   | 1   | 1   | 1320928-2   | STRIP GUIDE                         | 24      |
| - | 1   | 1   | 1   | 1   | 2168083-2   | SCR, SKT HD CAP, RoHS, M4 X 8.0     | 21      |
| - | 1   | 1   | 1   | 1   | 1-18028-2   | WASHER, FLAT, REG M4                | 20      |
| - | 1   | 1   | 1   | 1   | 2119533-3   | STRIPPER, SIDE FEED                 | 19      |
| - | 1   | 1   | 1   | 1   | 1463053-3   | HOLD DOWN, TERMINAL                 | 18      |
| - | 1   | 1   | 1   | 1   | 2119806-1   | INSERT, SHEAR                       | 13      |
| - | 1   | 1   | 1   | 1   | 3-22280-3   | SPRING, COMPRESSION                 | 12      |
| - | 1   | 1   | 1   | 1   | 1-356885-4  | STOP, SHEAR                         | 11      |
| - | 1   | 1   | 1   | 1   | 2119805-1   | SHEAR HOLDER, FRONT                 | 10      |
| - | 1   | 1   | 1   | 1   | 1803095-3   | FLOATING SHEAR, FRONT               | 9       |
| - | 1   | 2   | 2   | 1   | 1-1729372-0 | ANVIL, HD-C                         | 8       |
| - | 1   | 1   | 1   | 1   | 2119757-4   | DEPRESSOR, SHEAR                    | 5       |
| - | 1   | 1   | 1   | 1   | 5-238011-6  | BLOCK, CRIMPER SPACER               | 4       |
| - | 1   | 2   | 2   | 1   | 3-1803017-1 | CRIMPER, INSULATION F               | 3       |
| - | 1   | 2   | 2   | 1   | 234156-6    | CRIMPER, WIRE                       | 1       |
| - | 77  | -72 | -71 | -2  | -1          | PART NO                             | ITEM NO |

ATLANTIC VERSION  
Shown on sheets 1 of 4 & 2 of 4  
(Pacific version shown on sheets 3 of 4 & 4 of 4)

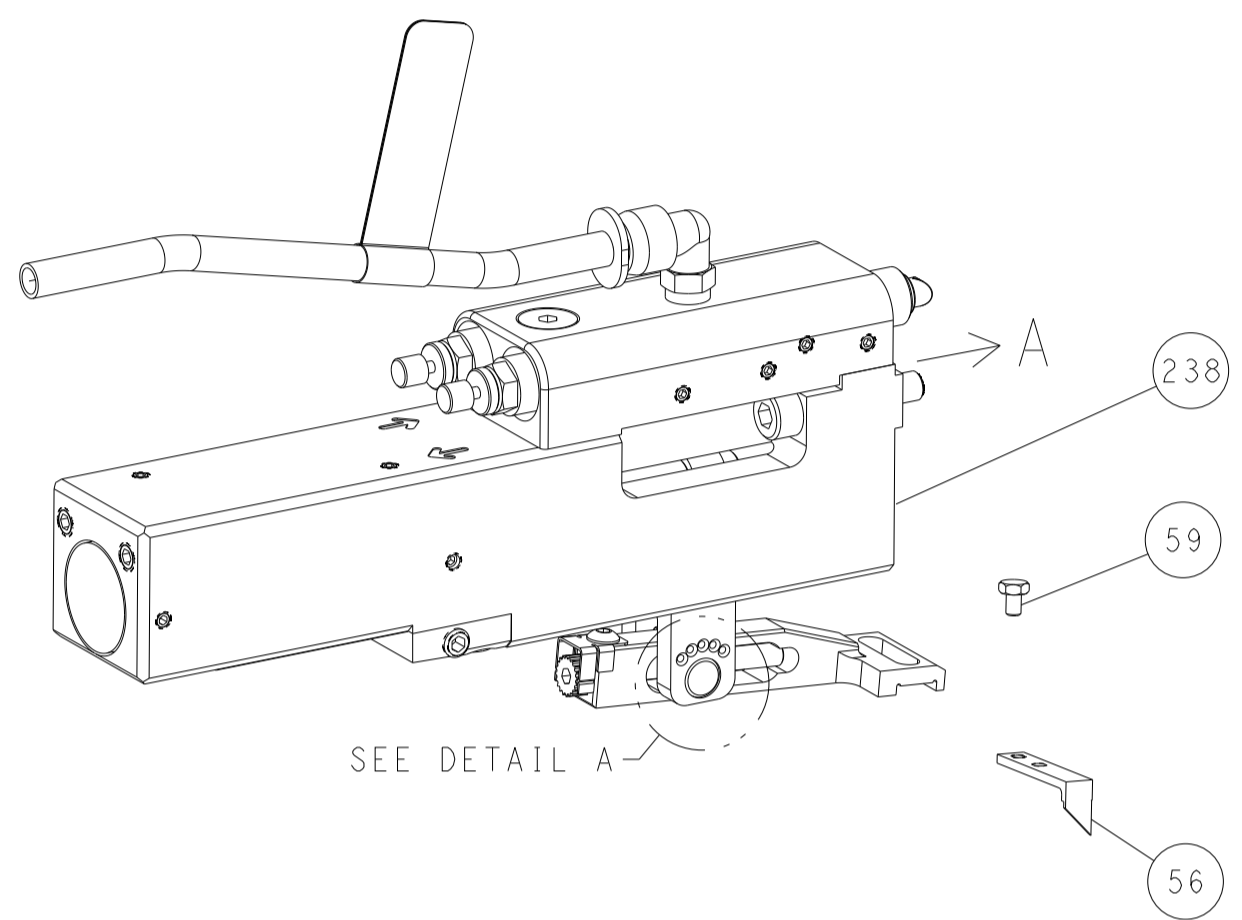
|             |         |  |         |                       |         |                          |        |  |            |                                  |         |
|-------------|---------|--|---------|-----------------------|---------|--------------------------|--------|--|------------|----------------------------------|---------|
| DIMENSIONS: |         | TOLERANCES UNLESS OTHERWISE SPECIFIED: |         | OWN: Y. YIN 31AUG2011 |         | CHK: G. BAILEY 31AUG2011 |        | APVD: S. XI 31AUG2011                  |            | NAME: Ocean Side Feed Applicator |         |
| mm          | 0 PLC ± | 1 PLC ±                                | 2 PLC ± | 3 PLC ±               | 4 PLC ± | ANGLES                   | FINISH | WEIGHT                                 | SCALE: 1:2 | SHEET 1 OF 4                     | REV: L1 |
| MATERIAL:   |         |  |         |                       |         |                          |        | Customer Accessible Production Drawing |            | RESTRICTED TO:                   |         |

| LOC |     | DIST        |      | REVISIONS |      |  |  |
|-----|-----|-------------|------|-----------|------|--|--|
| P   | LTN | DESCRIPTION | DATE | DWN       | APVD |  |  |
| -   | -   | SEE SHEET 1 | -    | -         | -    |  |  |

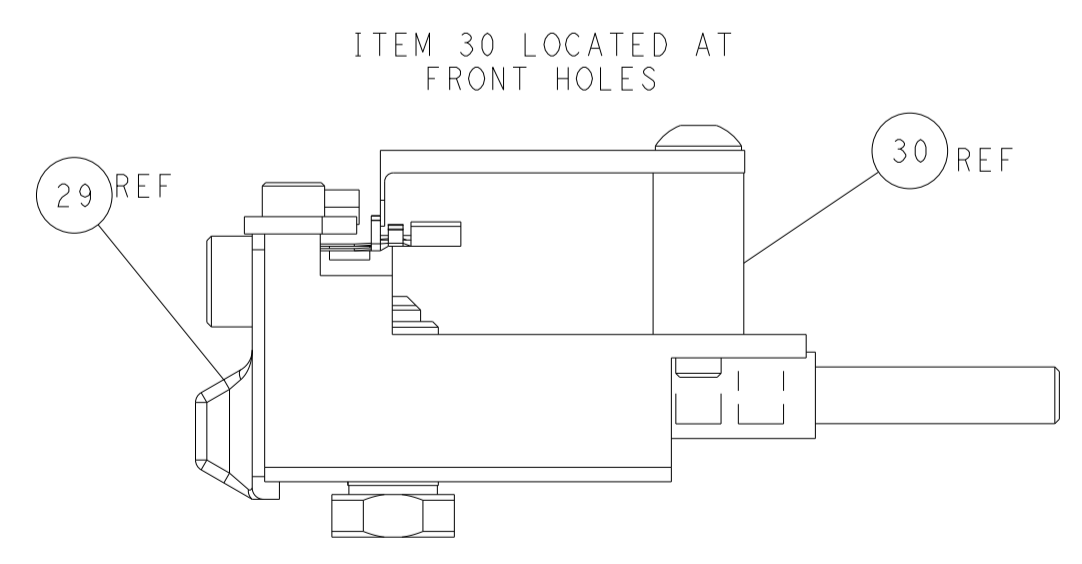
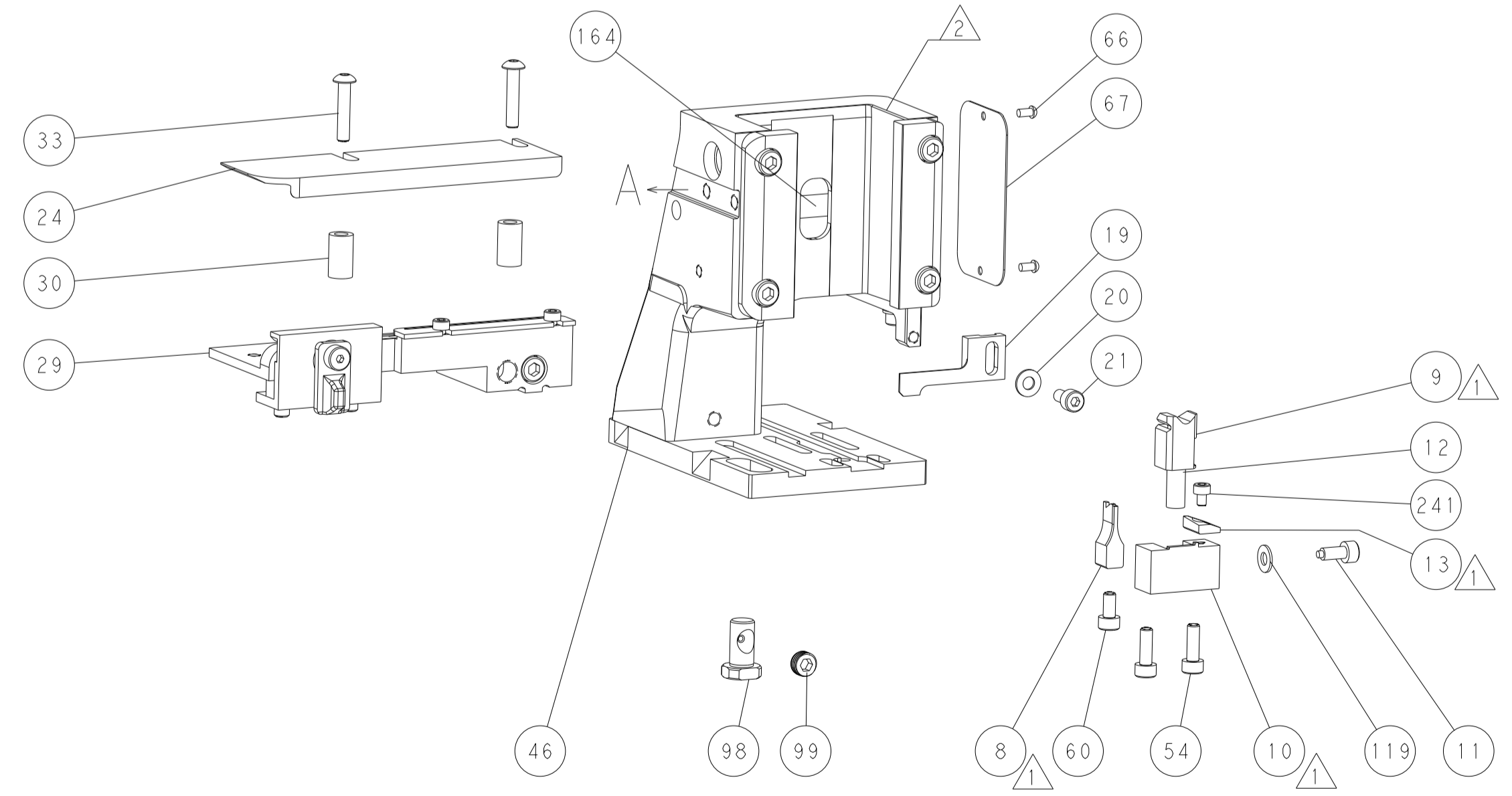
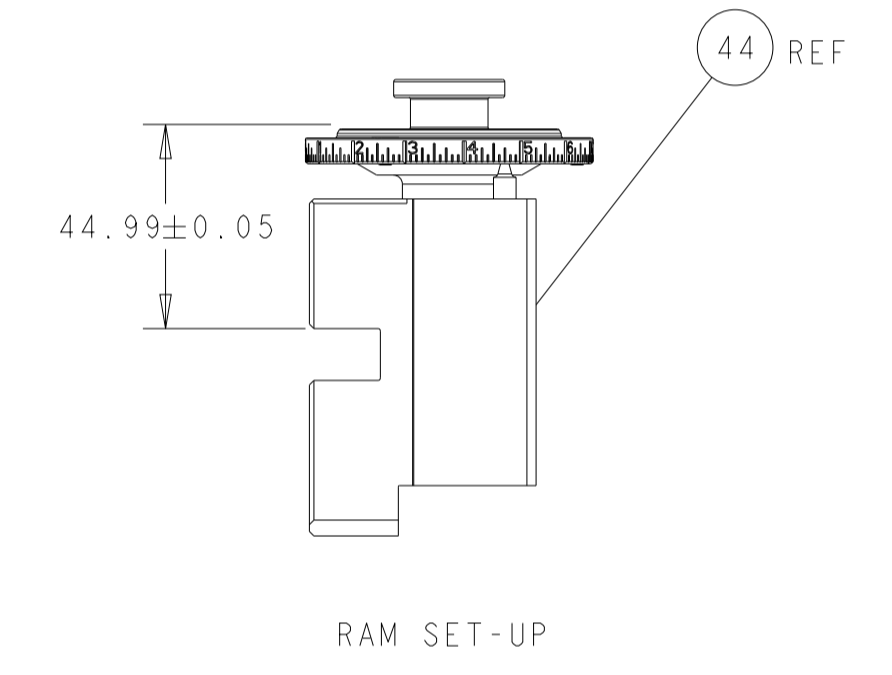
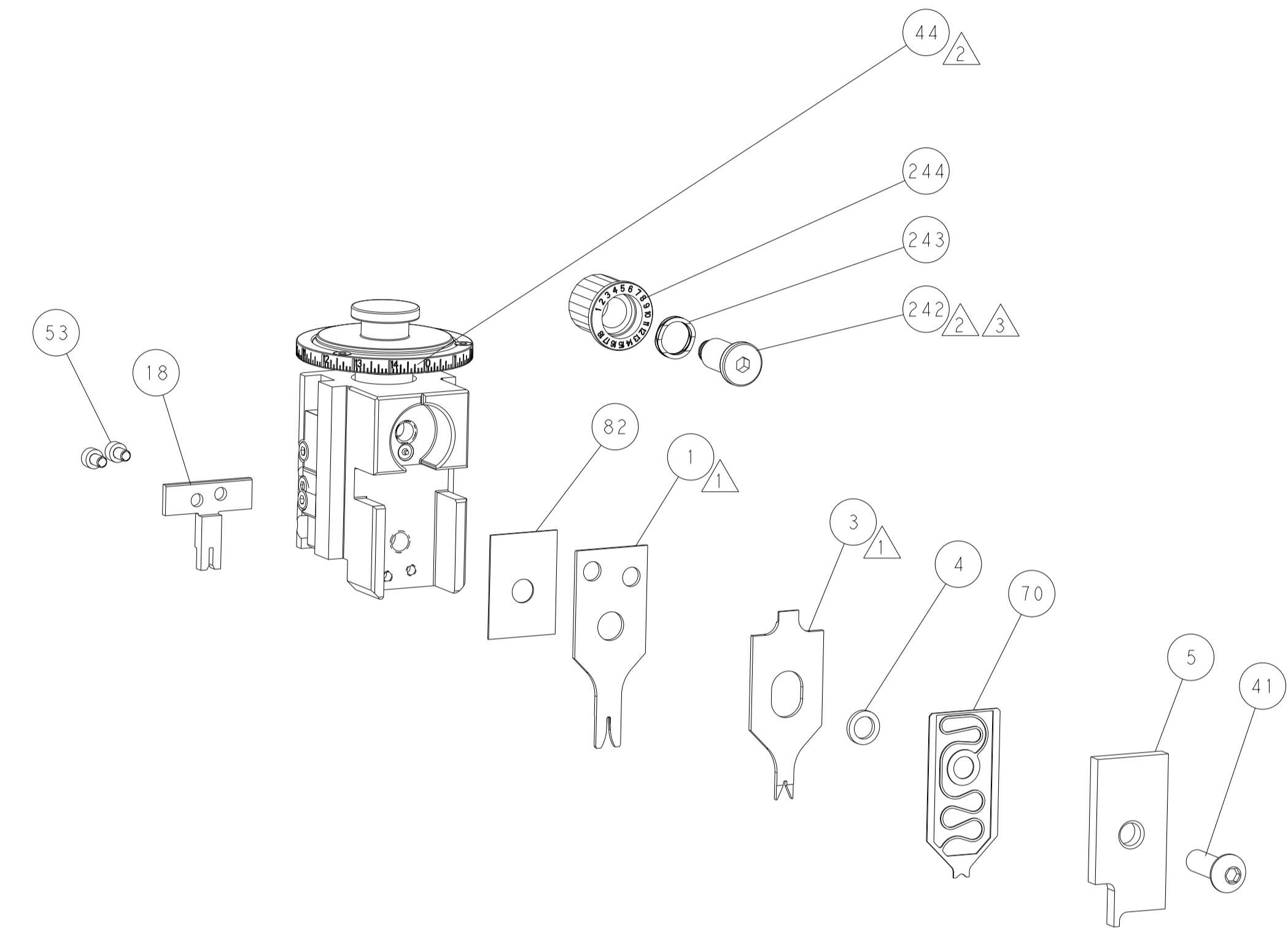
# FEED TYPE MECHANICAL



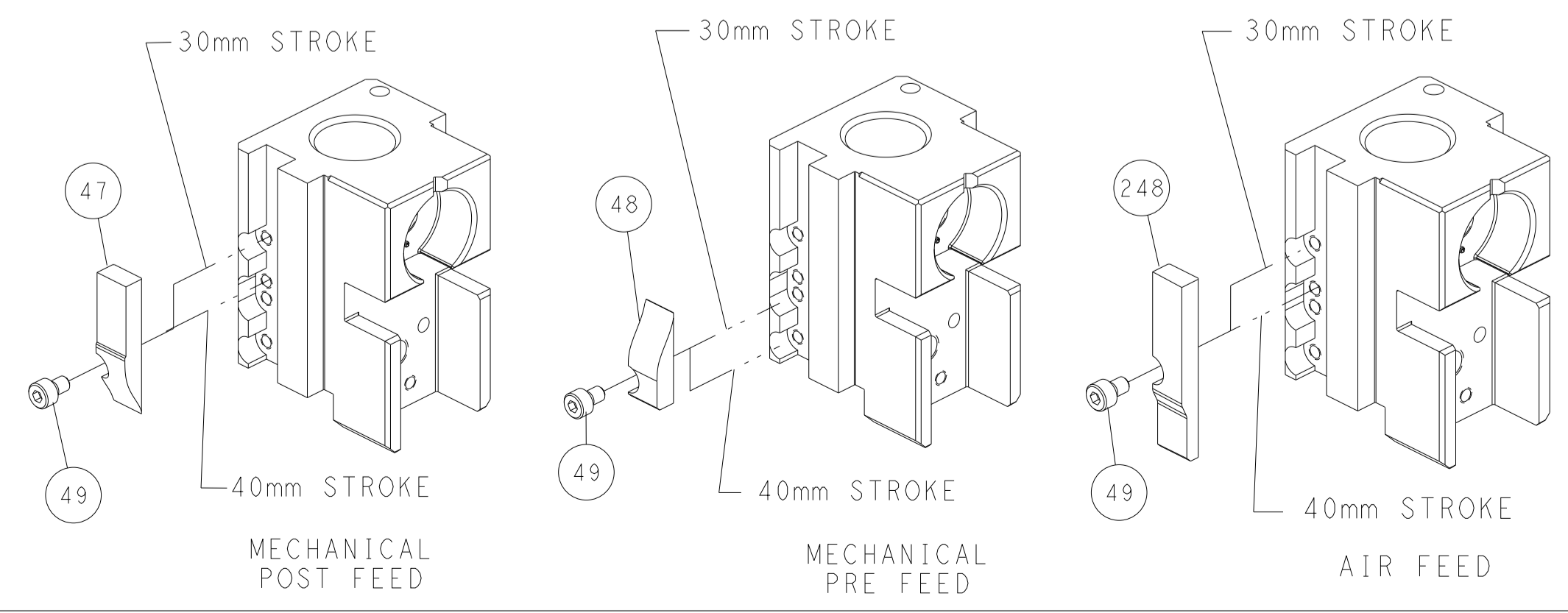
## PNEUMATIC



## FEED SPRING SETTING POSITION (SHOWN FROM REAR SIDE)



# CAM POSITIONS

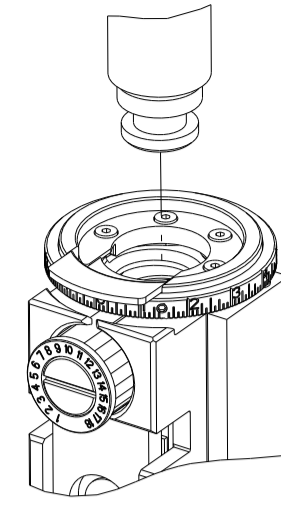


**ATLANTIC VERSION**  
 Shown on sheets 1 of 4 & 2 of 4  
 (Pacific version shown on sheets 3 of 4 & 4 of 4)

|             |         |  |         |                         |         |   |  |
|-------------|---------|--|---------|-------------------------|---------|---|--|
| DIMENSIONS: |         | TOLERANCES UNLESS OTHERWISE SPECIFIED: |         | DWN Y. YIN 31AUG2011    |         | TE Connectivity                         |  |
| mm          | 0 PLC ± | 1 PLC ±                                | 2 PLC ± | 3 PLC ±                 | 4 PLC ± | Harrisburg, PA 17105-3608               |  |
| MATERIAL:   |         | FINISH:                                |         | CHK G. BAILEY 31AUG2011 |         | NAME Ocean Side Feed Applicator         |  |
|             |         |  |         | APVD S. XI 31AUG2011    |         | SIZE CAGE CODE DRAWING NO RESTRICTED TO |  |
|             |         |  |         | PRODUCT SPEC            |         | A1 00779 ©=2151082                      |  |
|             |         |  |         | APPLICATION SPEC        |         | SCALE 1:2 SHEET 2 OF 4 REV L1           |  |
|             |         |  |         | WEIGHT                  |         | Customer Accessible Production Drawing  |  |

| PART NUMBER | REVISION | DESCRIPTION              | FEED TYPE  |
|-------------|----------|--------------------------|------------|
| 2-2151082-1 | K        | FINE CRIMP HEIGHT ADJUST | MECHANICAL |
| 2-2151082-2 | L        | FINE CRIMP HEIGHT ADJUST | PNEUMATIC  |
| 7-2151082-7 | E        | CRIMP TOOLING KIT        | -          |

PACIFIC VERSION TERMINATOR  
INTERFACE ADAPTER



| APPLICATOR DATA                      |                |      |
|--------------------------------------|----------------|------|
| CRIMP                                | SIZE           | TYPE |
| WIRE                                 | 1.16 mm [.046] | F    |
| INSUL                                | 1.35 mm [.053] | F    |
| APPLICATOR INSTRUCTIONS<br>408-35042 |                |      |

| TERMINAL DATA: TE TERMINAL                     |                              | TE CRIMP SPECIFICATION    |                           |
|--|------------------------------|---------------------------|---------------------------|
| TERMINAL NAME: DYNAMIC D1000-M CONTACT         |                              |                           |                           |
| WIRE STRIP LENGTH                              | INSULATION DIAMETER RANGE    |                           |                           |
| 1.70-2.30 mm [.067-.091 IN]                    | Ø1.08-1.60 mm [.043-.063 IN] |                           |                           |
| TERMINAL APPLICATION SPECIFICATION (A)114-5377 | -                            |                           |                           |
| (C)114-5424                                    | -                            |                           |                           |
| TERMINALS APPLIED                              |                              |                           |                           |
| TE TERMINAL (A) 1827570-2                      | TE TERMINAL (A) 1871303-1    | TE TERMINAL (A) 1903112-2 | TE TERMINAL (A) 1903120-1 |
| (A) 1939991-2                                  | (A) 2367817-2                | (A) 2367819-2             | (C) 2400015-1             |

| TERMINAL DATA: TE TERMINAL                      |                              | TE CRIMP SPECIFICATION |             |
|---|------------------------------|------------------------|-------------|
| TERMINAL NAME: HD1 CONTACT M SIZE               |                              |                        |             |
| WIRE STRIP LENGTH                               | INSULATION DIAMETER RANGE    |                        |             |
| 1.70-2.30 mm [.067-.091 IN]                     | Ø1.08-1.60 mm [.043-.063 IN] |                        |             |
| TERMINAL APPLICATION SPECIFICATION (B)114-78021 | -                            |                        |             |
| TERMINALS APPLIED                               |                              |                        |             |
| TE TERMINAL (B) 2316663-2                       | TE TERMINAL (B) 2316670-2    | TE TERMINAL            | TE TERMINAL |

| WIRE SIZE | CRIMP HEIGHT mm [INCH]        | CRIMP HEIGHT REFERENCE SETTING |
|-----------|-------------------------------|--------------------------------|
| 22 AWG    | 0.80 +/- 0.03 [.031 +/- .001] | 4.6                            |
| 24 AWG    | 0.73 +/- 0.03 [.029 +/- .001] | 5.3                            |
| 26 AWG    | 0.67 +/- 0.03 [.026 +/- .001] | 6.0                            |
| 28 AWG    | 0.64 +/- 0.03 [.025 +/- .001] | 6.3                            |

| QTY | LOC | DIST | REV | ITEM NO     | DESCRIPTION                         | ITEM NO |
|-----|-----|------|-----|-------------|-------------------------------------|---------|
| -   | 1   | 1    |     | 2119082-9   | CAM, SNAIL, INSULATION ADJUSTMENT   | 244     |
| -   | 1   | 1    |     | 2079764-1   | WASHER, WAVE SPRING, CREST-TO-CREST | 243     |
| -   | 1   | 1    |     | 2119083-1   | RETAINER, INSULATION DIAL           | 242     |
| -   | 1   | 1    |     | 7-18023-7   | SCR, SKT HD CAP M3 X 4.0            | 241     |
| -   | -   | 1    |     | 2119580-1   | MECHANICAL FEED ASSEMBLY            | 239     |
| -   | 1   | -    |     | 2844940-1   | AIR FEED MODULE                     | 238     |
| -   | REF | REF  |     | 994970-2    | COUNTER, MAGNETIC                   | 164     |
| -   | 1   | -    |     | 2119641-2   | FEED CAM, AIR FEED                  | 151     |
| -   | 1   | 1    |     | 2168083-8   | SCR, SKT HD CAP, RoHS, M4 X 16      | 144     |
| -   | 2   | 2    |     | 2168083-9   | SCR, SKT HD CAP, RoHS, M4 X 20      | 143     |
| -   | -   | 1    |     | 2119653-2   | FEED CAM, POST FEED                 | 142     |
| -   | 1   | 1    |     | 1-1803583-0 | APPLICATOR BASIC ASSEMBLY, SF       | 141     |
| -   | 1   | 1    |     | 1803516-1   | RAM ASSEMBLY, SF PACIFIC            | 140     |
| -   | 1   | 1    |     | 1-18028-2   | WASHER, FLAT, REG M4                | 119     |
| -   | 1   | 1    |     | 2844908-1   | SCREW, LOCKING                      | 99      |
| -   | 1   | 1    |     | 2844907-1   | POST, LOCKING                       | 98      |
| -   | 1   | 1    |     | 455888-5    | SPACER, CRIMPER                     | 82      |
| -   | 1   | 1    |     | 1803607-3   | DOCUMENTATION PACKAGE               | 71      |
| -   | 1   | 1    |     | 2119791-5   | DEPRESSOR, WIRE                     | 70      |
| -   | 1   | 1    |     | 2119740-1   | TAG, IDENTIFICATION                 | 67      |
| -   | 2   | 2    |     | 2168078-1   | SCREW, DRIVE, RH, RoHS, 2 x .188    | 66      |
| -   | 1   | 1    |     | 5-18022-5   | SCR, HEX HD CAP, M4 X 6.0           | 59      |
| -   | 1   | 1    |     | 1338685-1   | PAWL, FEED                          | 56      |
| -   | 2   | 2    |     | 2168083-5   | SCR, SKT HD CAP, RoHS, M4 X 6.0     | 53      |
| -   | 1   | 2    |     | 18023-9     | SCR, SKT HD CAP M4 X 6.0            | 49      |
| -   | -   | 1    |     | 2119652-1   | FEED CAM, PRE FEED                  | 48      |
| -   | 1   | 1    |     | 1803602-1   | SCR, BHSC, RoHS (M8 X 25)           | 41      |
| -   | 2   | 2    |     | 2079383-5   | SCR, BHSC, RoHS (M4 X 20)           | 33      |
| -   | 2   | 2    |     | 2-2844962-6 | SPACER, CYLINDRICAL, STRIP GUIDE    | 30      |
| -   | 1   | 1    |     | 2844992-1   | ASSEMBLY, STRIP GUIDE               | 29      |
| -   | 1   | 1    |     | 1320928-2   | STRIP GUIDE                         | 24      |
| -   | 1   | 1    |     | 2168083-2   | SCR, SKT HD CAP, RoHS, M4 X 8.0     | 21      |
| -   | 1   | 1    |     | 1-18028-2   | WASHER, FLAT, REG M4                | 20      |
| -   | 1   | 1    |     | 2119533-3   | STRIPPER, SIDE FEED                 | 19      |
| -   | 1   | 1    |     | 1463053-3   | HOLD DOWN, TERMINAL                 | 18      |
| -   | 1   | 1    |     | 2119806-1   | INSERT, SHEAR                       | 13      |
| -   | 1   | 1    |     | 3-22280-3   | SPRING, COMPRESSION                 | 12      |
| -   | 1   | 1    |     | 1-356885-4  | STOP, SHEAR                         | 11      |
| -   | 1   | 1    |     | 2119805-1   | SHEAR HOLDER, FRONT                 | 10      |
| -   | 1   | 1    |     | 1803095-3   | FLOATING SHEAR, FRONT               | 9       |
| -   | 1   | 1    |     | 1-1729372-0 | ANVIL, HD-C                         | 8       |
| -   | 1   | 1    |     | 2119757-4   | DEPRESSOR, SHEAR                    | 5       |
| -   | 1   | 1    |     | 5-238011-6  | BLOCK, CRIMPER SPACER               | 4       |
| -   | 1   | 1    |     | 3-1803017-1 | CRIMPER, INSULATION F               | 3       |
| -   | 1   | 1    |     | 234156-6    | CRIMPER, WIRE                       | 1       |
| -77 | -22 | -21  |     | PART NO     | DESCRIPTION                         | ITEM NO |



- 1 RECOMMENDED SPARE PARTS
- 2 REFER TO SUPPLIED INSTRUCTION SHEET FOR CLEANING, LUBRICATION AND STORAGE OF APPLICATOR.
- 3 APPLY PART NUMBER 2-23419-6 LOCTITE TO THREADS OF ITEM 242.
- 4 CRIMP HEIGHT REFERENCE SETTING WAS THE SETTING USED WHEN THE APPLICATOR WAS QUALIFIED AT THE FACTORY. ADJUSTMENT MAY BE NECESSARY WHEN RUNNING APPLICATOR IN THE FIELD.
- 5. UNLESS SPECIFIED OTHERWISE TORQUE VALUES SHALL BE USED PER DOCUMENT, 101-35000.

**\*WARNING**  
ON INSTALLATION, SET WIRE DISC TO CRIMP HEIGHT REFERENCE SETTING FOR LARGEST WIRE SIZE. CRIMP HEIGHT REFERENCE SETTINGS GREATER THAN THE VALUE SHOWN MAY CAUSE DAMAGE TO THE CRIMP TOOLING. REFER TO THE INSTRUCTION SHEET FOR PROPER SETUP AND ADJUSTMENTS.

PACIFIC VERSION  
Shown on sheets 3 of 4 & 4 of 4  
(Atlantic version shown on sheets 1 of 4 & 2 of 4)

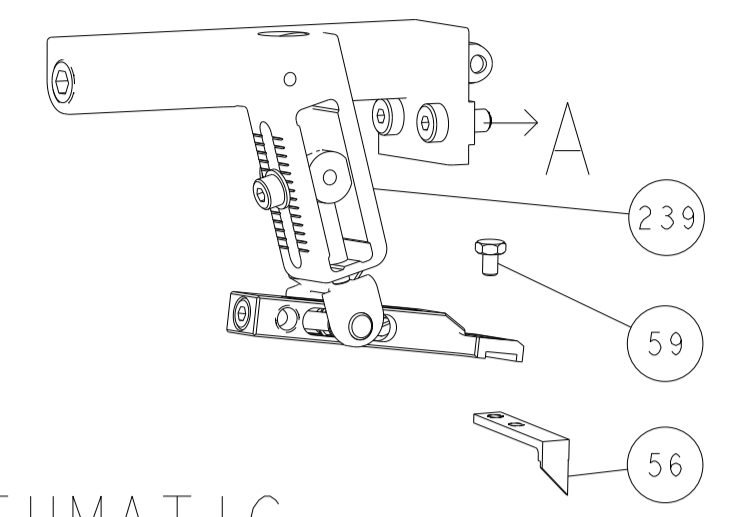
| DIMENSIONS: |   | TOLERANCES UNLESS OTHERWISE SPECIFIED: |   | MATERIAL: |   | FINISH: |   | WEIGHT: |   | SCALE: |       | SHEET:    |   | REV: |    |
|-------------|---|--|---|-----------|---|---------|---|---------|---|--------|-------|-----------|---|------|----|
| 0 PLC       | ± | 1 PLC                                  | ± | 2 PLC     | ± | 3 PLC   | ± | 4 PLC   | ± | AN     | 00779 | C=2151082 | 3 | 4    | L1 |

| CHK       | DATE      | DESCRIPTION                |
|-----------|-----------|----------------------------|
| Y. YIN    | 31AUG2011 | TE Connectivity            |
| G. BAILEY | 31AUG2011 | Harrisburg, PA 17105-3608  |
| S. XI     | 31AUG2011 | Ocean Side Feed Applicator |

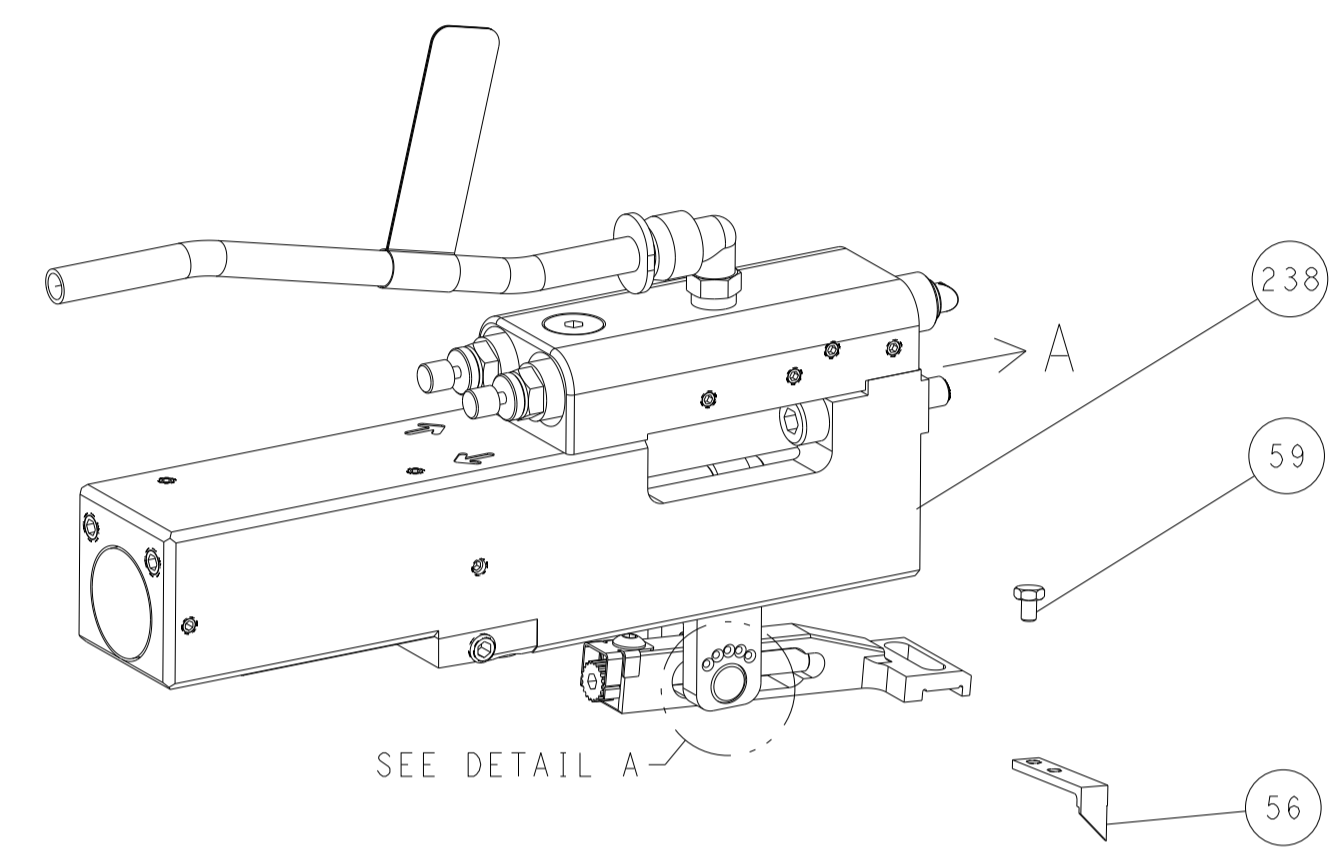
| LOC | DIST | REV | DATE | BY | APPV |
|-----|------|-----|------|----|------|
| A   | 66   |     |      |    |      |

| LOC |    | DIST |     | REVISIONS   |      |     |      |
|-----|----|------|-----|-------------|------|-----|------|
| A   | 66 | P    | LTH | DESCRIPTION | DATE | OWN | APVD |
|     |    | -    |     | SEE SHEET 1 |      |     |      |

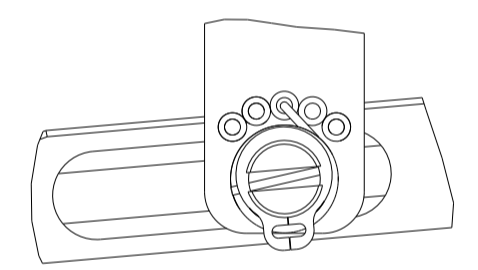
# FEED TYPE MECHANICAL



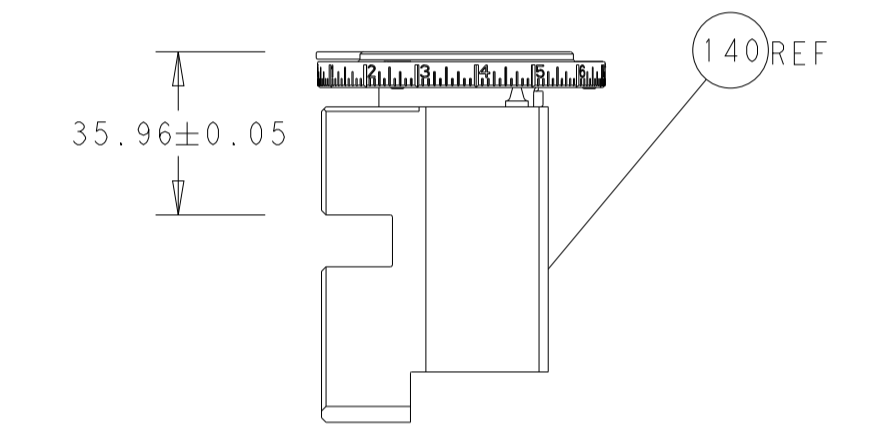
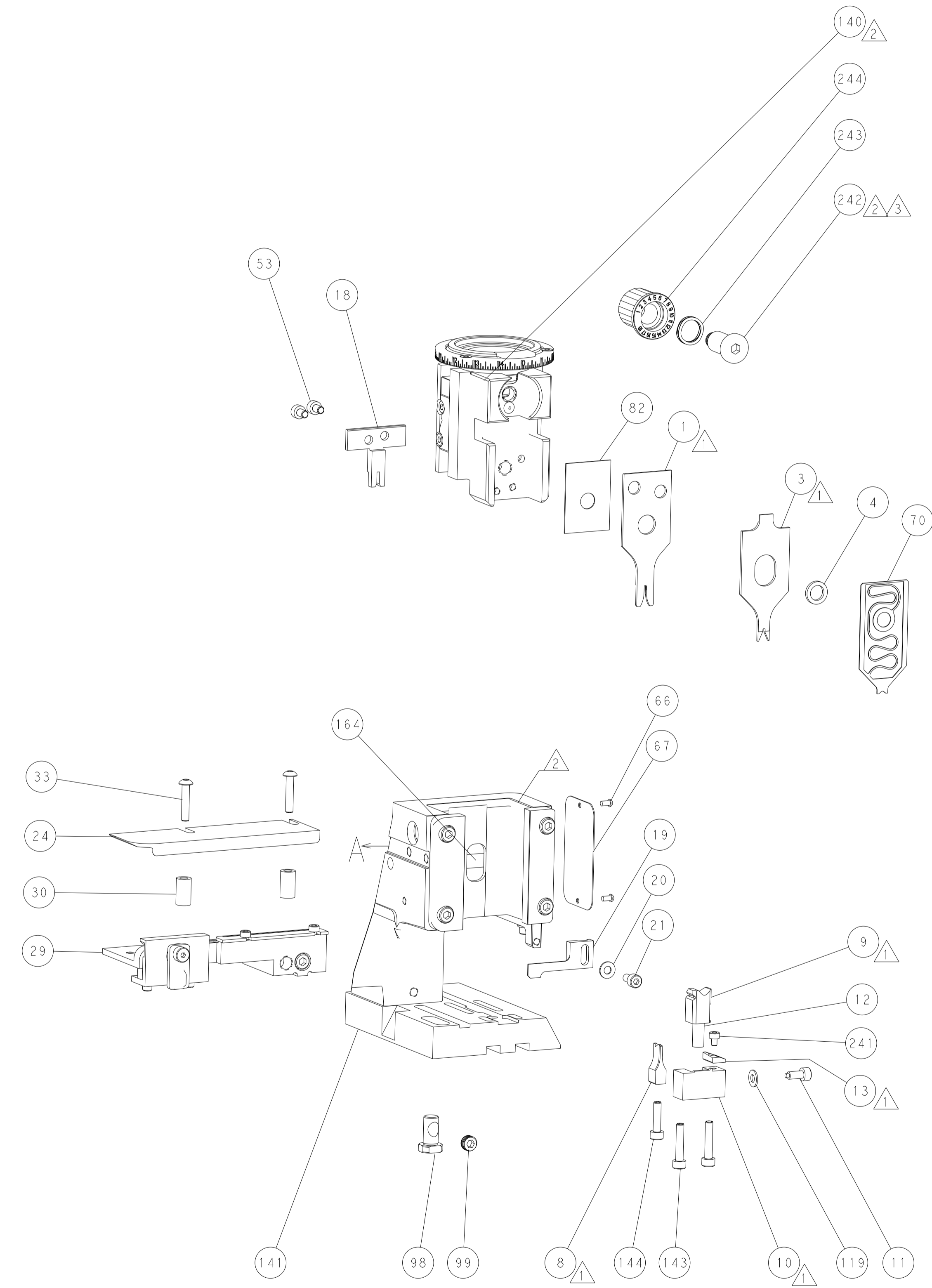
## PNEUMATIC



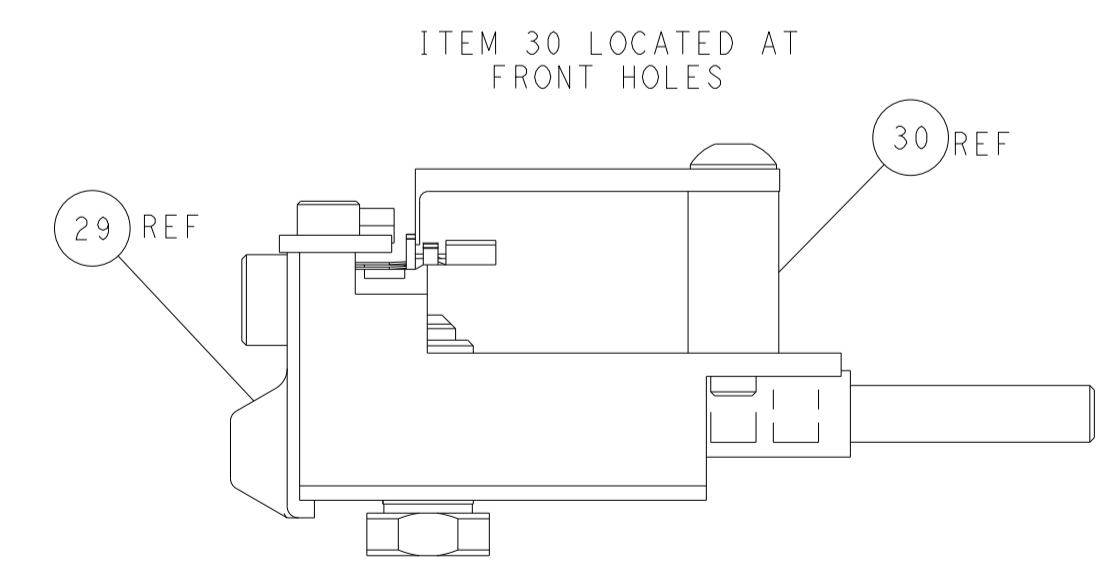
## FEED SPRING SETTING POSITION (SHOWN FROM REAR SIDE)



DETAIL A

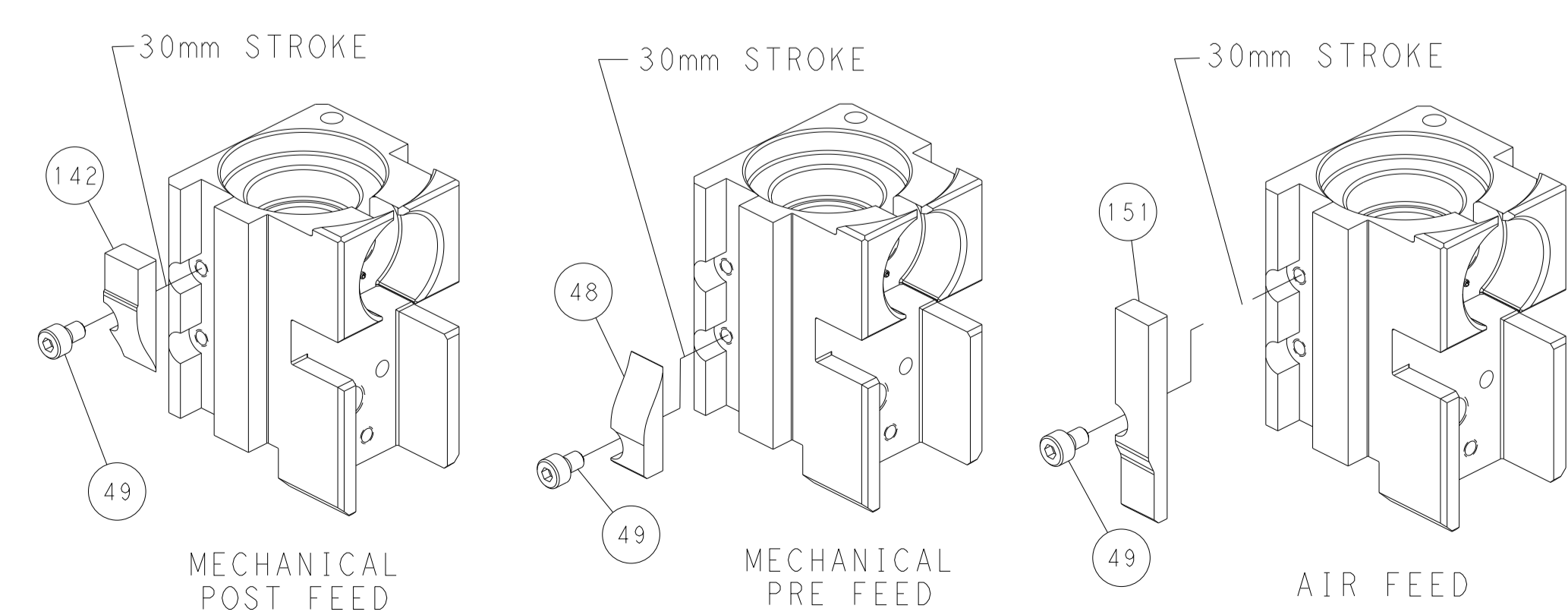


RAM SET-UP



FEED TRACK POSITION  
GUIDE BY INSULATION BARREL

# CAM POSITIONS



**PACIFIC VERSION**  
 Shown on sheets 3 of 4 & 4 of 4  
 (Atlantic version shown on sheets 1 of 4 & 2 of 4)

|             |         |  |         |  |         |                               |                           |
|-------------|---------|--|---------|--|---------|-------------------------------|---------------------------|
| DIMENSIONS: |         | TOLERANCES UNLESS OTHERWISE SPECIFIED: |         | DWG Y. YIN 31AUG2011                   |         | TE Connectivity               |                           |
| mm          | 0 PLC ± | 1 PLC ±                                | 2 PLC ± | 3 PLC ±                                | 4 PLC ± | 5 PLC ±                       | Harrisburg, PA 17105-3608 |
| MATERIAL:   |         | FINISH:                                |         | CHK G. BAILEY 31AUG2011                |         | NAME                          |                           |
|             |         |  |         | S. XI 31AUG2011                        |         | Ocean Side Feed               |                           |
|             |         |  |         | PRODUCT SPEC                           |         | Applicator                    |                           |
|             |         |  |         | APPLICATION SPEC                       |         |                               |                           |
|             |         |  |         | WEIGHT                                 |         | RESTRICTED TO                 |                           |
|             |         |  |         | A 00779 ©=2151082                      |         |                               |                           |
|             |         |  |         | Customer Accessible Production Drawing |         | SCALE 1:2 SHEET 4 OF 4 REV L1 |                           |