

FLAT HINGE - LEAF HINGE

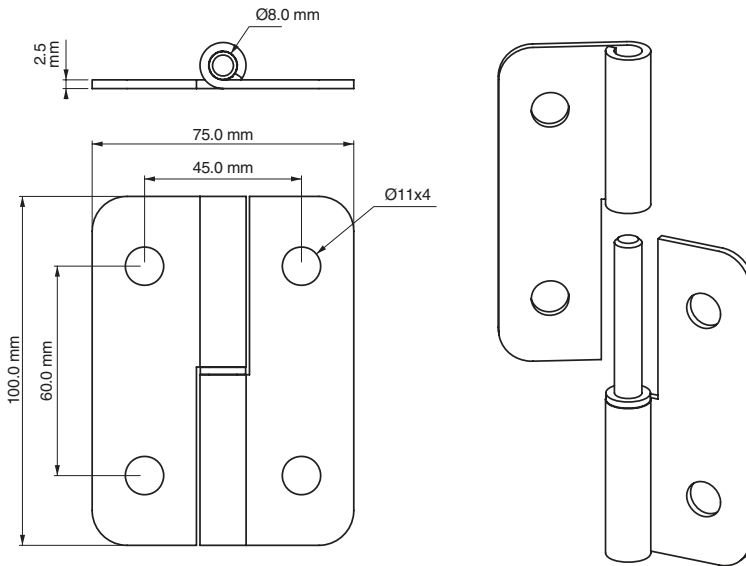


Specifications

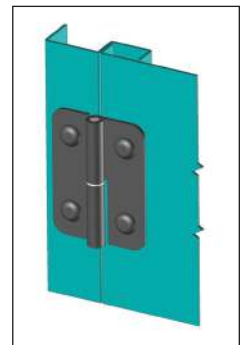
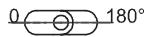
- Material:
Body / Pin: Steel
- Finish: See Chart

Features

- Heavy-duty lift off hinge
- Suitable for left-hand and right-hand applications
- Opening angle 180°
- Applications: Generators, machinery covers, electric panels



Hinge Rotation Angle



Item Number	Hinge Rotation	Material	Finish	Hand
89962001	180°	Steel	Black	Right
89962002	180°	Steel	Black	Left
89963001	180°	Steel	Zinc	Right
89963002	180°	Steel	Zinc	Left