

CUSTOMER PRINT

PART NUMBER: 8380-XPG-5XX

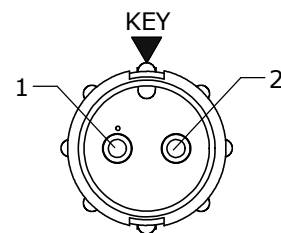
- NOTES:  
 1. ALL PARTS TO BE BULK PACKED  
 2. CONTACTS SHIPPED UNASSEMBLED  
 3. ALL DIMENSIONS ARE REFERENCE EXCEPT THOSE WITH A TOLERANCE

KIT P/N	GROMMET SIZE
8380-XPG-513	.148 GROMMET I.D. FOR CABLE O.D. .13-.15 [3.3-3.8mm]
8380-XPG-516	.176 GROMMET I.D. FOR CABLE O.D. .16-.18 [4.1-4.6mm]
8380-XPG-519	.206 GROMMET I.D. FOR CABLE O.D. .19-.21 [4.8-5.3mm]
8380-XPG-522	.245 GROMMET I.D. FOR CABLE O.D. .22-.25 [5.6-6.3mm]
8380-XPG-526	.265 GROMMET I.D. FOR CABLE O.D. .25-.27 [6.4-6.9mm]
8380-XPG-528	.280 GROMMET I.D. FOR CABLE O.D. .26-.285 [6.6-7.2mm]

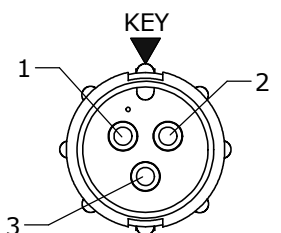
KIT P/N	NO. OF CONTACTS
8380-2PG-5XX	2 #16
8380-3PG-5XX	3 #16
8380-4PG-5XX	4 #16
8380-5PG-5XX	5 #16
8380-XPG-5XX	

GROMMET SIZE

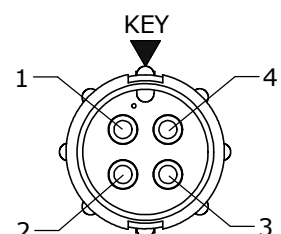
NO. OF CONTACTS



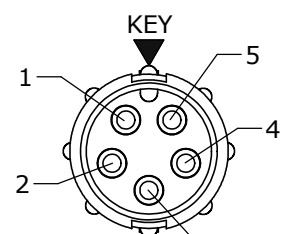
**FACE VIEW**  
8380-2PG-5XX



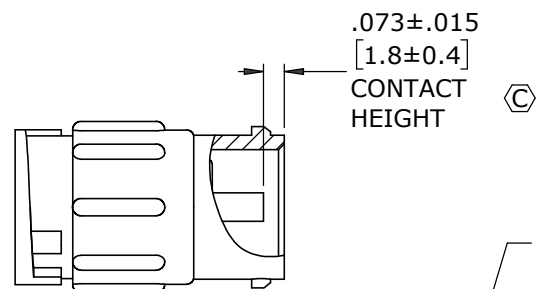
**FACE VIEW**  
8380-3PG-5XX



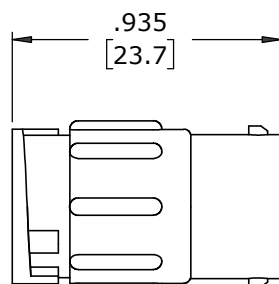
**FACE VIEW**  
8380-4PG-5XX



**FACE VIEW**  
8380-5PG-5XX

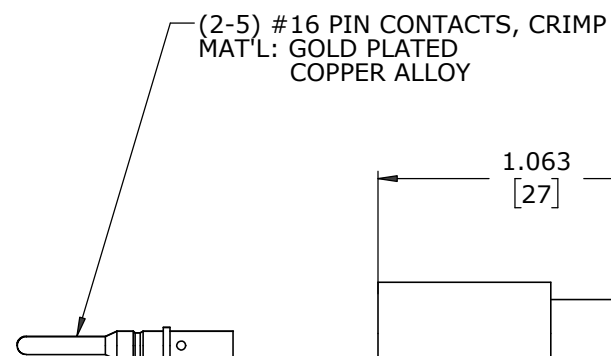


.073±.015  
[1.8±0.4]  
CONTACT  
HEIGHT

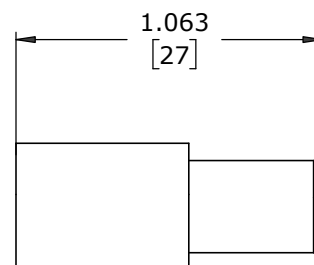


.935  
[23.7]

IN-LINE CONNECTOR, MALE  
MAT'L: NYLON, BLACK

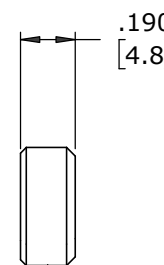


(2-5) #16 PIN CONTACTS, CRIMP  
MAT'L: GOLD PLATED  
COPPER ALLOY



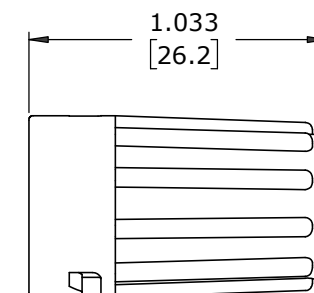
1.063  
[27]

GROMMET  
MAT'L: SANTOPRENE, BLACK



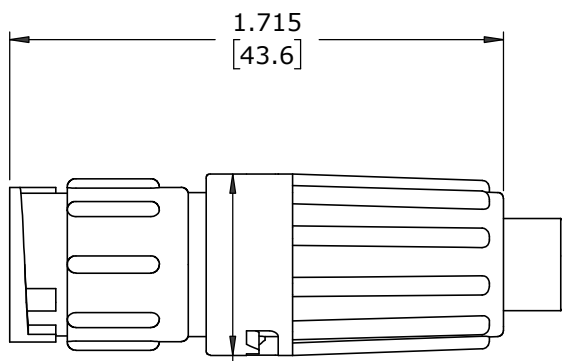
.190  
[4.8]

CABLE GRIP  
MAT'L: POLYPROPYLENE, BLACK



1.033  
[26.2]

BACKSHELL  
MAT'L: NYLON, BLACK



1.715  
[43.6]

Ø.630  
[16]

**ASSEMBLED VIEW**  
FOR CUSTOMER REF.

DIMENSIONS IN BRACKETS [ ] ARE IN MILLIMETERS

**CUSTOMER APPROVAL**

THIS DOCUMENT CONTAINS CONFIDENTIAL INFORMATION PROPRIETARY TO CONXALL CORPORATION. ANY REPRODUCTION, DISCLOSURE, OR USE OF THIS DOCUMENT /INFORMATION IS EXPRESSLY PROHIBITED UNLESS AUTHORIZED IN WRITING BY CONXALL CORPORATION.

APPROVED BY: \_\_\_\_\_  
 DATE: \_\_\_\_\_

REV.	INIT.	DATE	DESCRIPTION
C	MA	02-16-21	ADDED P/N 8380-XPG-526 AND CONTACT HEIGHT VIEW PER ECR 9544. STANDARDIZED DRAWING
B	PAK	01-24-13	ADDED P/N 8380-XPG-528 FOR .280 CABLE DIA. PER DOR 12-5009TC
A	AN	08-02-12	DRAWING CREATED PER DOR 12-E149SL #20

ALL INFORMATION ILLUSTRATED IS THE PROPERTY OF "CONXALL CORPORATION". UNAUTHORIZED DUPLICATION OR DISTRIBUTION OF THIS DOCUMENT IS PROHIBITED.	ORIG. DRAWN BY: AN DATE: 07-30-12	<b>conxall</b> 601 E. WILDWOOD VILLA PARK, IL 60181
ALL UNITS ARE IN FEET, INCHES, FRACTIONS OF INCHES AND DECIMALS.	CHECKED BY:	
APPROVED BY:	SCALE: NTS SIZE: B SHEET: 1 OF 1	TITLE: CABLE TO CABLE CONNECTOR KIT (2-5) #16 PIN CONTACTS MINI-CON-X CUSTOMER: STANDARD PRODUCT
FILE: 08-02-12	DIRECTORY: SLW	PART NUMBER: 8380-XPG-5XX

**RoHS COMPLIANT**

CRITICAL CHARACTERISTIC FLAG PER SPEC. XXXX

REV C