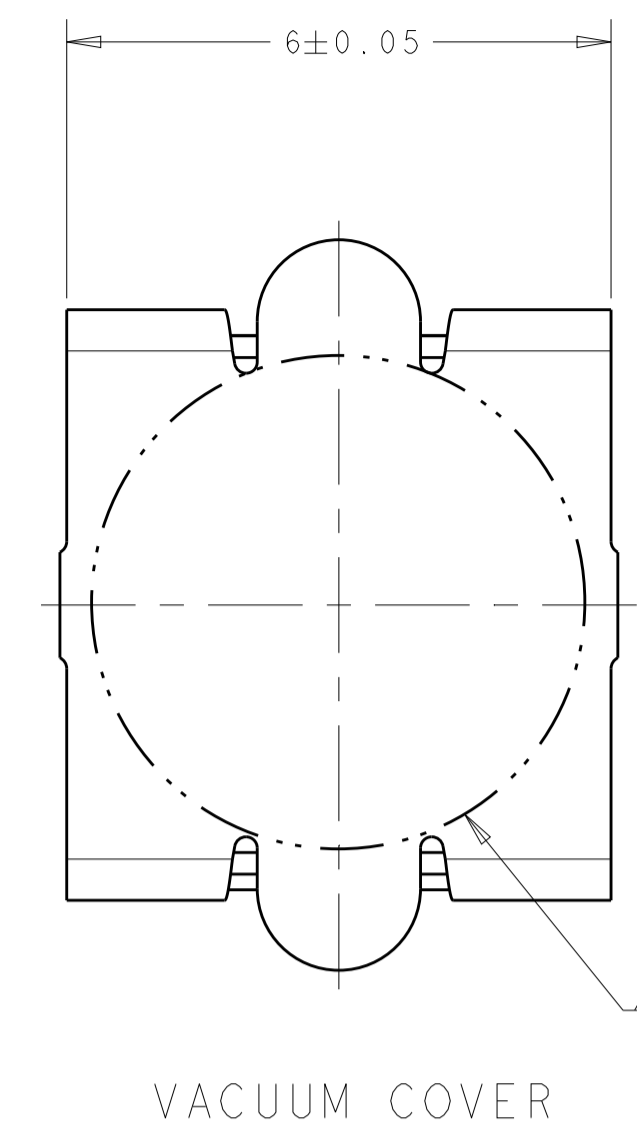
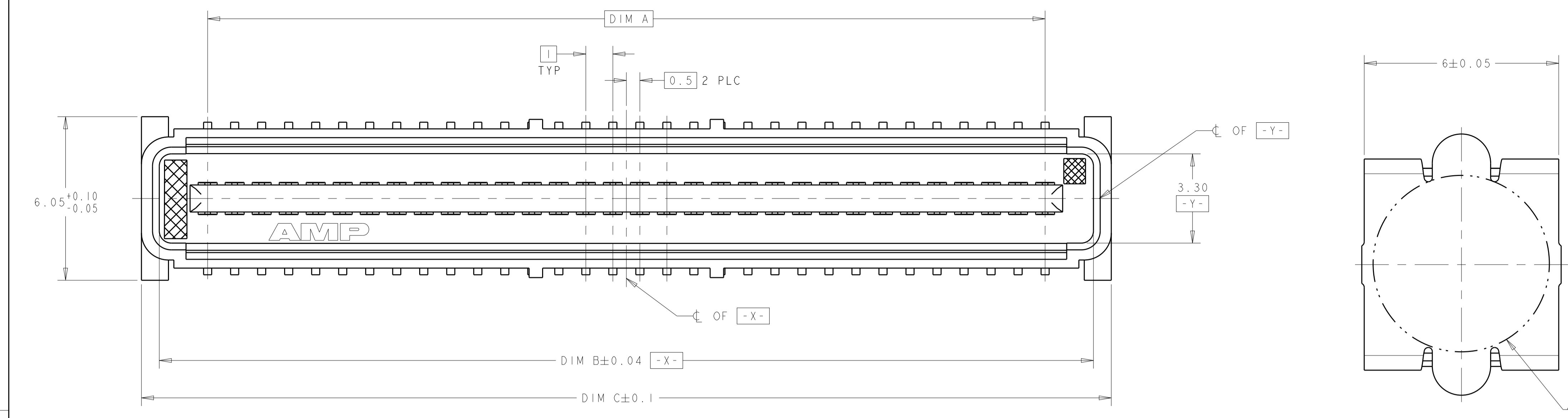
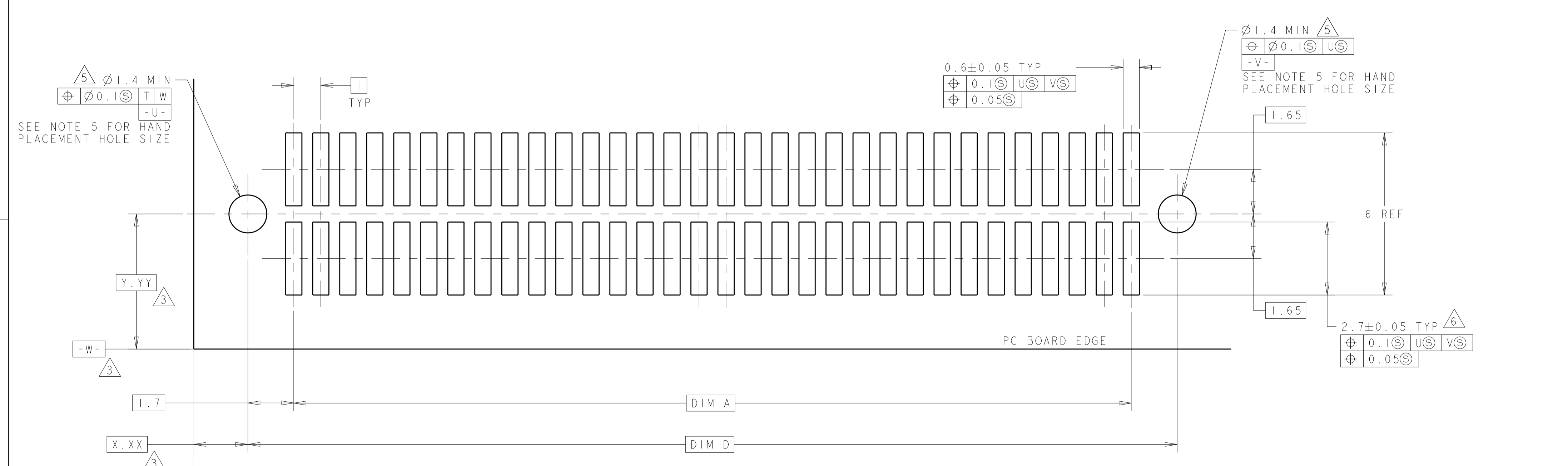
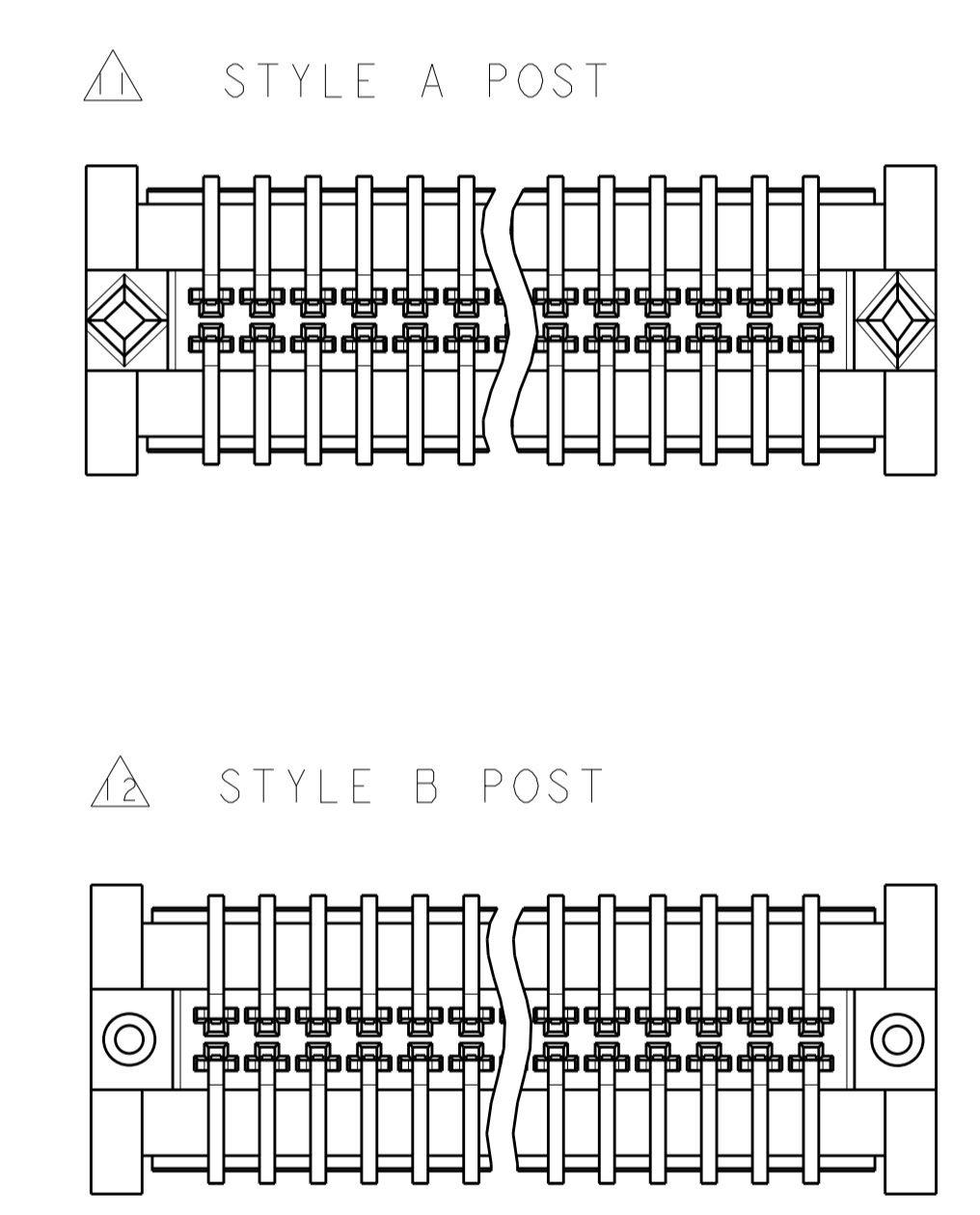
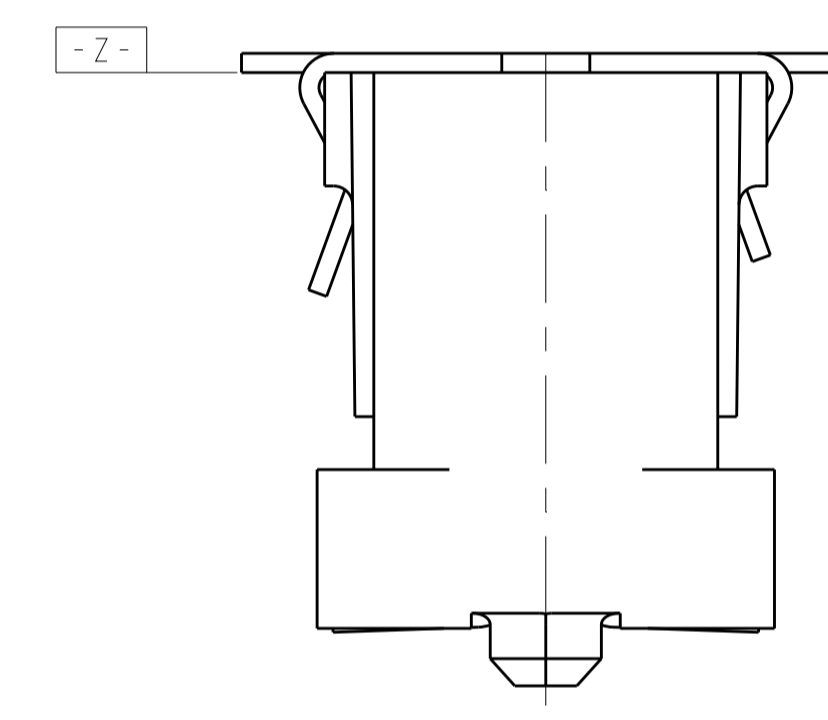
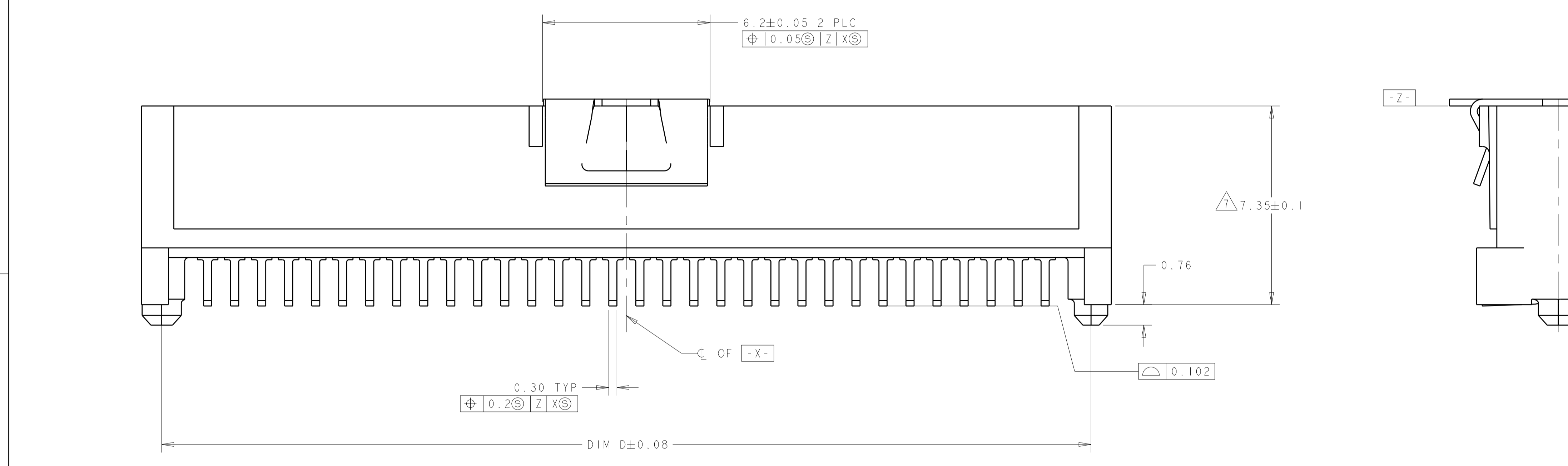


LOC	DIST	REV	DATE	BY	CHK	APPV
AD	00					

REVISIONS						
REV	DATE	DESCRIPTION	BY	CHK	APPV	
D	06FEB2007	REVISED PER ECO-06-026075	BC			DB
E	10JUL2008	REVISED PER ECO-08-008615	DH			DB
E1	26AUG2009	REVISED PER ECO-09-018464	AEG			DD
F	19FEB2016	REVISED PER ECO-16-000422	BJ			SY



- 1 HOUSING MATERIAL: LIQUID CRYSTAL POLYMER COLOR: BLACK. CONTACT MATERIAL: PHOSPHOR BRONZE.
- 2 CONTACT FINISH: NICKEL UNDERPLATE ALL OVER, MATING SURFACES PLATED TO MEET PLI PERFORMANCE REQUIREMENTS OF INDUSTRY SPECIFICATION EIA-700AAAB, SOLDER TAILS PLATED TIN-LEAD.
- 3 DATUM LOCATIONS AND BASIC DIMENSIONS TO BE ESTABLISHED BY THE CUSTOMER. CONSULT AMP ENGINEERING WHEN PLACING MULTIPLE CONNECTORS ON A PC BOARD.
- 4 PACKAGED IN TAPE ON REEL PER EIA-481.
- 5 1.4±0.05 DIAMETER HOLE WHEN PLACING BY HAND.
- 6 SHORTER SOLDER LANDS MAY BE USED PER EIA 700AAAB, HOWEVER 2.7 LENGTH ASSURES OPTIMUM SOLDER FILLET REGARDLESS OF MANUFACTURER OF CONNECTOR.
- 7 REFERRED TO AS DIM N IN EIA 700AAAB SPECIFICATION.
- 8 VACUUM COVER NOT SHOWN IN SOME VIEWS FOR CLARITY.
- 9 5.5 MIN DIAMETER TARGET AREA FOR VACUUM PICK-UP.
- 10 CONTACT FINISH: 0.002 MINIMUM BRIGHT TIN-LEAD (93-7) ON SOLDER AREA, 0.00127 MINIMUM GOLD ON MATING AREA, BOTH OVER 0.00127 MINIMUM NICKEL ON ENTIRE CONTACT.
- 11 SQUARE AND DIAMOND SHAPED POSTS.
- 12 ROUND SHAPED POSTS.



POST STYLE	FINISH	DIM D	DIM C	DIM B	DIM A	STACK HEIGHTS	POS	AMP PART NUMBER
12	10	44.4	45.9	44.58	41	9, 11, 14	84	3-146898-2
12	2	34.4	35.9	34.58	31	9, 11, 14	64	3-146898-1
12	2	44.4	45.9	44.58	41	9, 11, 14	84	2-146898-2
12	2	34.4	35.9	34.58	31	9, 11, 14	64	2-146898-1
11	10	44.4	45.9	44.58	41	9, 11, 14	84	1-146898-2
11	2	34.4	35.9	34.58	31	9, 11, 14	64	1-146898-1
11	2	44.4	45.9	44.58	41	9, 11, 14	84	146898-2
11	2	34.4	35.9	34.58	31	9, 11, 14	64	146898-1

THE INFORMATION CONTAINED HEREIN IS UNCLASSIFIED EXCEPT WHERE SHOWN OTHERWISE. IT IS THE POLICY OF TYCO ELECTRONICS CORPORATION TO MAKE THIS INFORMATION AVAILABLE TO THE GENERAL PUBLIC.

DWN: DK SCHRUM 28SEP98
 CHK: CHAD BAKER 28SEP98
 NAME: Tyco Electronics Corporation, Harrisburg, PA 17105-3608

DIMENSIONS:	TOLERANCES UNLESS OTHERWISE SPECIFIED:	PRODUCT SPEC	502-1079
mm	0 PLC ±	APPLICATION SPEC	114-25045
	1 PLC ±0.03	WEIGHT	
	2 PLC ±0.03	SCALE	10:1
	3 PLC ±0.003	SHEET	1 OF 1
	4 PLC ±	REV	F
	5 PLC ±		
	6 PLC ±		
	ANGLES 40° 30'		
MATERIAL	FINISH	CUSTOMER DRAWING	

DIMENSIONS: SEE TABLE
 MATERIAL: SEE TABLE
 FINISH: SEE TABLE

DIMENSIONS: DIM A, DIM B, DIM C, DIM D, DIM E, DIM F, DIM G, DIM H, DIM I, DIM J, DIM K, DIM L, DIM M, DIM N, DIM O, DIM P, DIM Q, DIM R, DIM S, DIM T, DIM U, DIM V, DIM W, DIM X, DIM Y, DIM Z, DIM AA, DIM AB, DIM AC, DIM AD, DIM AE, DIM AF, DIM AG, DIM AH, DIM AI, DIM AJ, DIM AK, DIM AL, DIM AM, DIM AN, DIM AO, DIM AP, DIM AQ, DIM AR, DIM AS, DIM AT, DIM AU, DIM AV, DIM AW, DIM AX, DIM AY, DIM AZ, DIM BA, DIM BB, DIM BC, DIM BD, DIM BE, DIM BF, DIM BG, DIM BH, DIM BI, DIM BJ, DIM BK, DIM BL, DIM BM, DIM BN, DIM BO, DIM BP, DIM BQ, DIM BR, DIM BS, DIM BT, DIM BU, DIM BV, DIM BW, DIM BX, DIM BY, DIM BZ, DIM CA, DIM CB, DIM CC, DIM CD, DIM CE, DIM CF, DIM CG, DIM CH, DIM CI, DIM CJ, DIM CK, DIM CL, DIM CM, DIM CN, DIM CO, DIM CP, DIM CQ, DIM CR, DIM CS, DIM CT, DIM CU, DIM CV, DIM CW, DIM CX, DIM CY, DIM CZ, DIM DA, DIM DB, DIM DC, DIM DD, DIM DE, DIM DF, DIM DG, DIM DH, DIM DI, DIM DJ, DIM DK, DIM DL, DIM DM, DIM DN, DIM DO, DIM DP, DIM DQ, DIM DR, DIM DS, DIM DT, DIM DU, DIM DV, DIM DW, DIM DX, DIM DY, DIM DZ, DIM EA, DIM EB, DIM EC, DIM ED, DIM EE, DIM EF, DIM EG, DIM EH, DIM EI, DIM EJ, DIM EK, DIM EL, DIM EM, DIM EN, DIM EO, DIM EP, DIM EQ, DIM ER, DIM ES, DIM ET, DIM EU, DIM EV, DIM EW, DIM EX, DIM EY, DIM EZ, DIM FA, DIM FB, DIM FC, DIM FD, DIM FE, DIM FF, DIM FG, DIM FH, DIM FI, DIM FJ, DIM FK, DIM FL, DIM FM, DIM FN, DIM FO, DIM FP, DIM FQ, DIM FR, DIM FS, DIM FT, DIM FU, DIM FV, DIM FW, DIM FX, DIM FY, DIM FZ, DIM GA, DIM GB, DIM GC, DIM GD, DIM GE, DIM GF, DIM GG, DIM GH, DIM GI, DIM GJ, DIM GK, DIM GL, DIM GM, DIM GN, DIM GO, DIM GP, DIM GQ, DIM GR, DIM GS, DIM GT, DIM GU, DIM GV, DIM GW, DIM GX, DIM GY, DIM GZ, DIM HA, DIM HB, DIM HC, DIM HD, DIM HE, DIM HF, DIM HG, DIM HH, DIM HI, DIM HJ, DIM HK, DIM HL, DIM HM, DIM HN, DIM HO, DIM HP, DIM HQ, DIM HR, DIM HS, DIM HT, DIM HU, DIM HV, DIM HW, DIM HX, DIM HY, DIM HZ, DIM IA, DIM IB, DIM IC, DIM ID, DIM IE, DIM IF, DIM IG, DIM IH, DIM II, DIM IJ, DIM IK, DIM IL, DIM IM, DIM IN, DIM IO, DIM IP, DIM IQ, DIM IR, DIM IS, DIM IT, DIM IU, DIM IV, DIM IW, DIM IX, DIM IY, DIM IZ, DIM JA, DIM JB, DIM JC, DIM JD, DIM JE, DIM JF, DIM JG, DIM JH, DIM JI, DIM JJ, DIM JK, DIM JL, DIM JM, DIM JN, DIM JO, DIM JP, DIM JQ, DIM JR, DIM JS, DIM JT, DIM JU, DIM JV, DIM JW, DIM JX, DIM JY, DIM JZ, DIM KA, DIM KB, DIM KC, DIM KD, DIM KE, DIM KF, DIM KG, DIM KH, DIM KI, DIM KJ, DIM KK, DIM KL, DIM KM, DIM KN, DIM KO, DIM KP, DIM KQ, DIM KR, DIM KS, DIM KT, DIM KU, DIM KV, DIM KW, DIM KX, DIM KY, DIM KZ, DIM LA, DIM LB, DIM LC, DIM LD, DIM LE, DIM LF, DIM LG, DIM LH, DIM LI, DIM LJ, DIM LK, DIM LL, DIM LM, DIM LN, DIM LO, DIM LP, DIM LQ, DIM LR, DIM LS, DIM LT, DIM LU, DIM LV, DIM LW, DIM LX, DIM LY, DIM LZ, DIM MA, DIM MB, DIM MC, DIM MD, DIM ME, DIM MF, DIM MG, DIM MH, DIM MI, DIM MJ, DIM MK, DIM ML, DIM MM, DIM MN, DIM MO, DIM MP, DIM MQ, DIM MR, DIM MS, DIM MT, DIM MU, DIM MV, DIM MW, DIM MX, DIM MY, DIM MZ, DIM NA, DIM NB, DIM NC, DIM ND, DIM NE, DIM NF, DIM NG, DIM NH, DIM NI, DIM NJ, DIM NK, DIM NL, DIM NM, DIM NN, DIM NO, DIM NP, DIM NQ, DIM NR, DIM NS, DIM NT, DIM NU, DIM NV, DIM NW, DIM NX, DIM NY, DIM NZ, DIM OA, DIM OB, DIM OC, DIM OD, DIM OE, DIM OF, DIM OG, DIM OH, DIM OI, DIM OJ, DIM OK, DIM OL, DIM OM, DIM ON, DIM OO, DIM OP, DIM OQ, DIM OR, DIM OS, DIM OT, DIM OU, DIM OV, DIM OW, DIM OX, DIM OY, DIM OZ, DIM PA, DIM PB, DIM PC, DIM PD, DIM PE, DIM PF, DIM PG, DIM PH, DIM PI, DIM PJ, DIM PK, DIM PL, DIM PM, DIM PN, DIM PO, DIM PP, DIM PQ, DIM PR, DIM PS, DIM PT, DIM PU, DIM PV, DIM PW, DIM PX, DIM PY, DIM PZ, DIM QA, DIM QB, DIM QC, DIM QD, DIM QE, DIM QF, DIM QG, DIM QH, DIM QI, DIM QJ, DIM QK, DIM QL, DIM QM, DIM QN, DIM QO, DIM QP, DIM QQ, DIM QR, DIM QS, DIM QT, DIM QU, DIM QV, DIM QW, DIM QX, DIM QY, DIM QZ, DIM RA, DIM RB, DIM RC, DIM RD, DIM RE, DIM RF, DIM RG, DIM RH, DIM RI, DIM RJ, DIM RK, DIM RL, DIM RM, DIM RN, DIM RO, DIM RP, DIM RQ, DIM RR, DIM RS, DIM RT, DIM RU, DIM RV, DIM RW, DIM RX, DIM RY, DIM RZ, DIM SA, DIM SB, DIM SC, DIM SD, DIM SE, DIM SF, DIM SG, DIM SH, DIM SI, DIM SJ, DIM SK, DIM SL, DIM SM, DIM SN, DIM SO, DIM SP, DIM SQ, DIM SR, DIM SS, DIM ST, DIM SU, DIM SV, DIM SW, DIM SX, DIM SY, DIM SZ, DIM TA, DIM TB, DIM TC, DIM TD, DIM TE, DIM TF, DIM TG, DIM TH, DIM TI, DIM TJ, DIM TK, DIM TL, DIM TM, DIM TN, DIM TO, DIM TP, DIM TQ, DIM TR, DIM TS, DIM TT, DIM TU, DIM TV, DIM TW, DIM TX, DIM TY, DIM TZ, DIM UA, DIM UB, DIM UC, DIM UD, DIM UE, DIM UF, DIM UG, DIM UH, DIM UI, DIM UJ, DIM UK, DIM UL, DIM UM, DIM UN, DIM UO, DIM UP, DIM UQ, DIM UR, DIM US, DIM UT, DIM UY, DIM UZ, DIM VA, DIM VB, DIM VC, DIM VD, DIM VE, DIM VF, DIM VG, DIM VH, DIM VI, DIM VJ, DIM VK, DIM VL, DIM VM, DIM VN, DIM VO, DIM VP, DIM VQ, DIM VR, DIM VS, DIM VT, DIM VY, DIM VZ, DIM WA, DIM WB, DIM WC, DIM WD, DIM WE, DIM WF, DIM WG, DIM WH, DIM WI, DIM WJ, DIM WK, DIM WL, DIM WM, DIM WN, DIM WO, DIM WP, DIM WQ, DIM WR, DIM WS, DIM WT, DIM WY, DIM WZ, DIM XA, DIM XB, DIM XC, DIM XD, DIM XE, DIM XF, DIM XG, DIM XH, DIM XI, DIM XJ, DIM XK, DIM XL, DIM XM, DIM XN, DIM XO, DIM XP, DIM XQ, DIM XR, DIM XS, DIM XT, DIM XU, DIM XV, DIM XW, DIM XX, DIM XY, DIM XZ, DIM YA, DIM YB, DIM YC, DIM YD, DIM YE, DIM YF, DIM YG, DIM YH, DIM YI, DIM YJ, DIM YK, DIM YL, DIM YM, DIM YN, DIM YO, DIM YP, DIM YQ, DIM YR, DIM YS, DIM YT, DIM YU, DIM YV, DIM YW, DIM YX, DIM YY, DIM YZ, DIM ZA, DIM ZB, DIM ZC, DIM ZD, DIM ZE, DIM ZF, DIM ZG, DIM ZH, DIM ZI, DIM ZJ, DIM ZK, DIM ZL, DIM ZM, DIM ZN, DIM ZO, DIM ZP, DIM ZQ, DIM ZR, DIM ZS, DIM ZT, DIM ZU, DIM ZV, DIM ZW, DIM ZX, DIM ZY, DIM ZZ