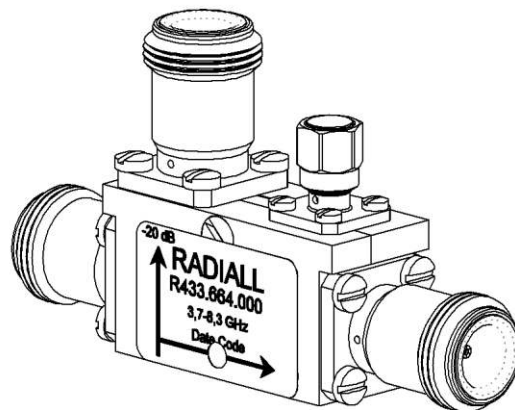
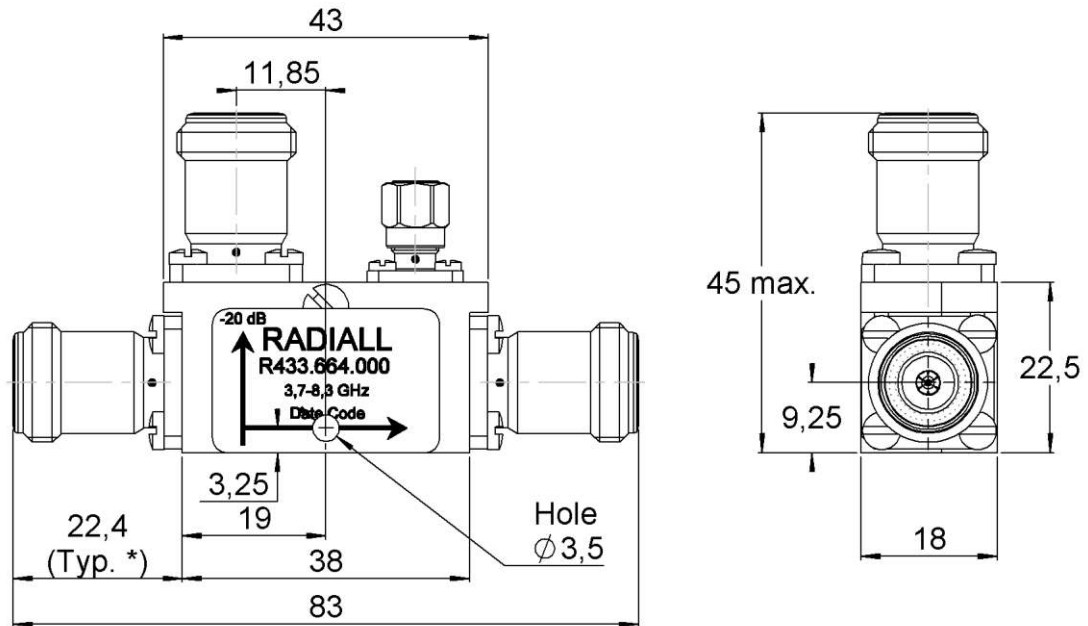


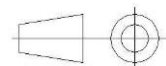
PAGE 1/2	ISSUE 09-12-19B	SERIES <b>COUPLER</b>	PART NUMBER <b>R433664000</b>
----------	-----------------	--------------------------	-------------------------------

**Scale 1 : 1**



All dimensions are in mm. Tolerances according ISO 2768 m-H

Weight Specification **123,9200** g



## ELECTRICAL CHARACTERISTICS

Frequency operating range :	3.7 – 8.3 GHz
Impedance :	50 Ω
VSWR : - Main Line	1.30 max.
- Coupled Line	1.30 max.
Nominal Coupling :	20 dB
Coupling Precision :	± 0.5 dB
Directivity :	18 dB mini
Insertion loss :	0.4 dB max.
Frequency Sensitivity :	± 0.3 dB
Average Power at 25°C	50W
Peak Power at 25°C	3000W

## MECHANICAL CHARACTERISTICS

Connector type :	N female per MIL-C 39012
Coaxial Termination :	SMA, 50 Ω, 1W

## ENVIRONMENTAL CHARACTERISTICS

Operating temperature :	-25°C / +85°C
Storage temperature :	-40°C / +100°C