



- Designed to meet IEEE802.3 requirements
- Primary Inductance 350µH min. with 8mA DC Bias
- Industrial Temperature: -40°C to +85°C
- Maximum reflow temperature is 250°C/-5°C, time is 20~40 sec. (Refer to IPC/JEDEC J-STD-020C standard).

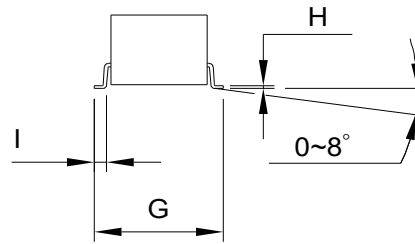
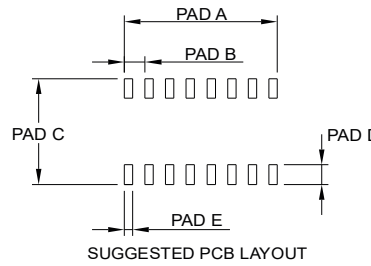
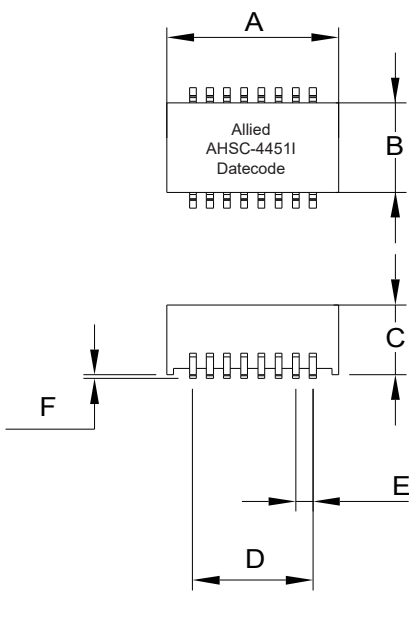


Electrical Specifications @ 25°C

OCL (µH Min) @100KHz, 0.1V	Turns Ratio		Insertion Loss (dB Max)	Return Loss (dB Min)				Cross Talk (dB Min)	DMRR (dB Min)	CMRR (dB Min)	Isolation Voltage (Vrms)
	TX	RX		0.5-100MHz	1-30MHz	30-45MHz	45-60MHz				
350	1:1	1:1	-1.1	-18	-16	-14	-12	-35	-37	-33	1500

All specifications subject to change without notice.

MECHANICAL



.004/0.10
16 SURFACES

Dimensions: mm/inches

- A=12.80/0.504
- B=6.80/0.268
- C=6.20 max/0.244 max
- D=8.89/0.350
- E=1.27/0.050
- F=0.25/0.010
- G=9.40/0.370
- H=0.25/0.010
- I=0.90/0.035
- PAD A=9.53/0.375
- PAD B=1.27/0.050
- PAD C=10.50/0.413
- PAD D=1.70/0.067
- PAD E=0.76/0.030

SCHEMATICS

