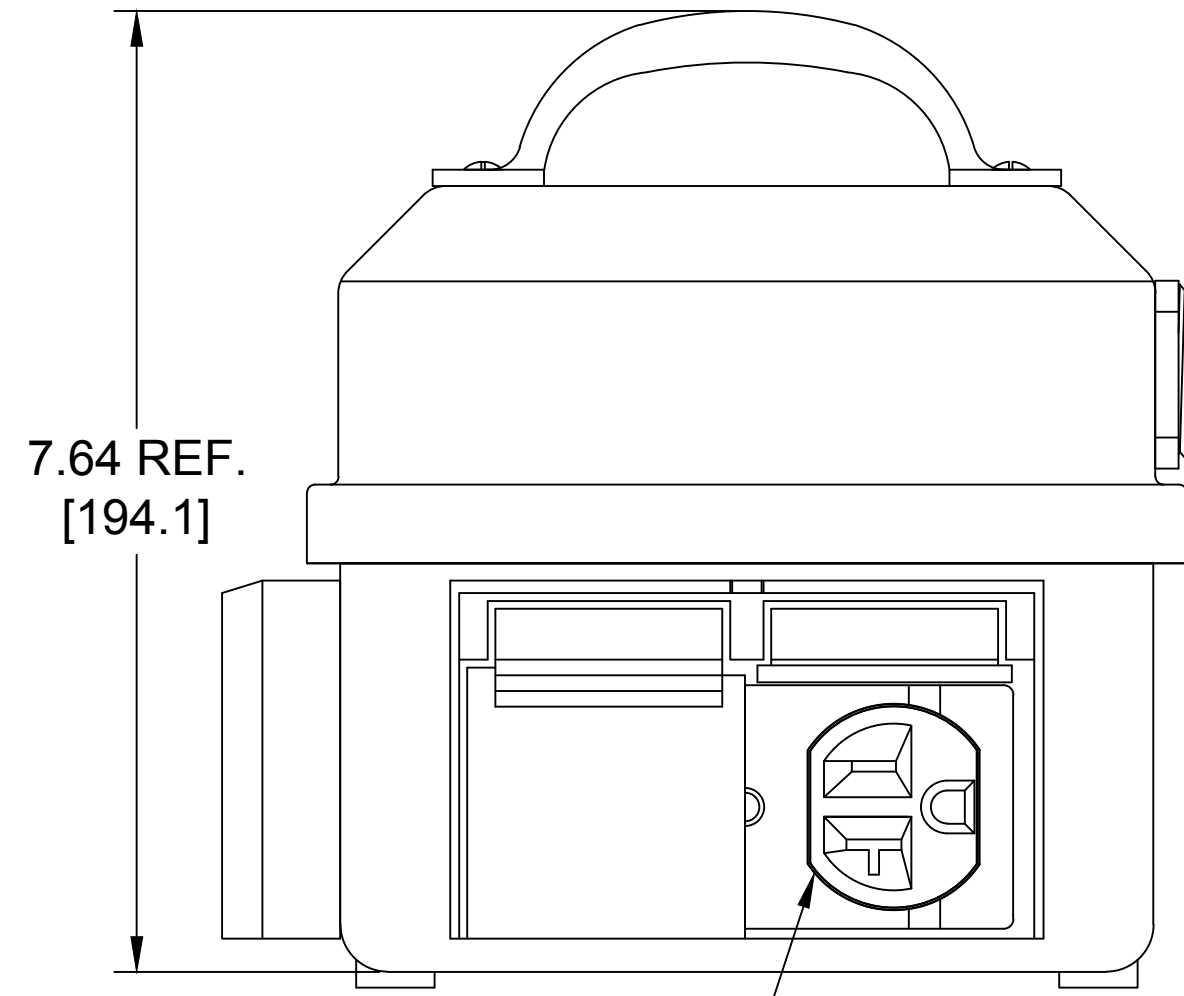


NEMA 5-20 DUPLEX RECEPTACLE

NEMA 5-20 DUPLEX RECEPTACLE

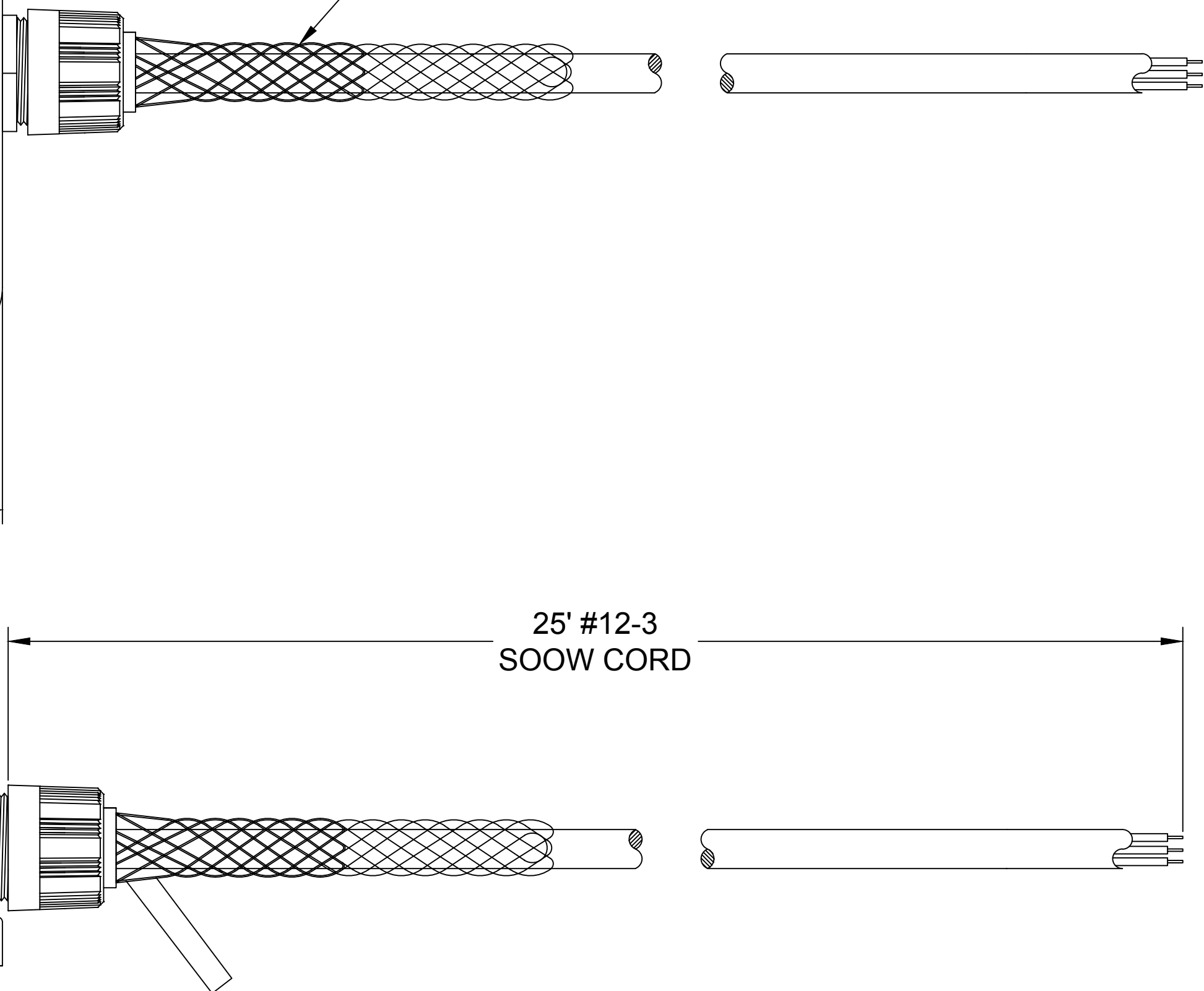
7.00 REF.  
[177.8]

5635NM  
NON-METALLIC  
MESH GRIP



7.64 REF.  
[194.1]

NEMA 5-20 DUPLEX RECEPTACLE



25' #12-3  
SOOW CORD

NON-RETURNABLE  
NON-CANCELABLE  
NO UL, CSA, OR ANY OTHER AGENCY APPROVALS.  
ELECTRICAL RATING: 20A/125V  
MEETS NEMA 4X WITH FLIP-LIDS CLOSED

RELEASE EC NO.: ICG2016-1375 DRWN: KCOX01 2016/04/11 CHKD: HKNEELAN 2016/04/11 APPR: JFMURPHY 2016/05/13	QUALITY SYMBOL	GENERAL TOLERANCES (UNLESS SPECIFIED)		DIMENSION STYLE IN/MM		SCALE NTS	DESIGN UNITS INCH	THIRD ANGLE PROJECTION		
	▽=0		mm	INCH	DRAWN BY KCOX01	DATE 2016/04/11	TITLE			
	∇=0	4 PLACES	±---	±---	CHECKED BY HKNEELAN	DATE 2016/04/11	WIRING-GFCI BOX			
		3 PLACES	±---	±.005	APPROVED BY JFMURPHY		DATE 2016/05/13	2 5-20 DPLX, 1 5-20 GFCI		
		2 PLACES	±.13	±.010	MATERIAL NO. 1301350403		DOCUMENT NO. SD-130135-056	25' 12-3 CORD NO PLUG		
	1 PLACE	±.25	±.020	DRAFT WHERE APPLICABLE MUST REMAIN WITHIN DIMENSIONS		MOLEX INCORPORATED		SHEET NO. 1 OF 1		
			ANGULAR ±.5°		THIS DRAWING CONTAINS INFORMATION THAT IS PROPRIETARY TO MOLEX INCORPORATED AND SHOULD NOT BE USED WITHOUT WRITTEN PERMISSION					
A	REV									