

- NOTES:**
- MATERIAL:**
 - (A). SCREW: SEE LEGEND
 - (B). INSULATOR: PBT, UL94V-0
 - (C). TERMINAL: BRASS, TIN PLATED
 - NUMBER OF CIRCUIT POSITIONS AVAILABLE: 2 THROUGH 15**
 - ELECTRICAL RATINGS:**
 - (A). MAXIMUM VOLTAGE: 600V
 - (B). MAXIMUM CURRENT: 50A
 - (C). INSULATION RESISTANCE: 500MΩ PER MINUTE
 - (D). DIELECTRIC WITHSTAND VOLTAGE: 2200V AC
 - WIRE RANGE: 8 TO 20 AWG (SOLID OR STRANDED COPPER)**
 - RECOMMENDED WIRE STRIP LENGTH: 0.32 IN. (8mm)**
 - SCREW TORQUE: 16 LBF. IN. (1.8Nm)**
 - OPERATING TEMPERATURE: -40°C TO +120°C**

MATERIAL NUMBER LEGEND

389 XX X X XX

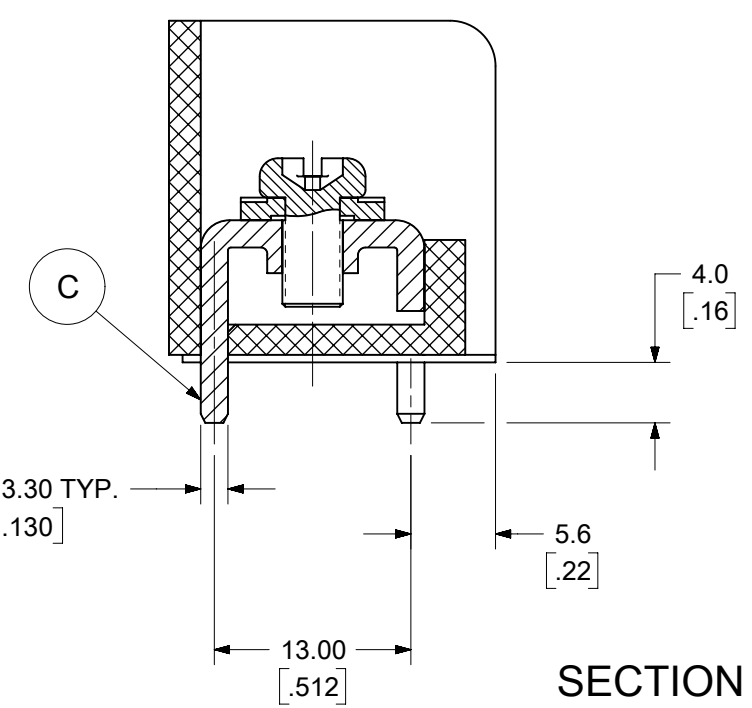
INSULATOR STYLE — 69- NO MOUNTING ENDS

TERMINAL STYLE — 0 - PC TAILS

NO. OF CIRCUITS — (02 - 15)

SCREW STYLE — 0 - M4 WITH SQUARE WASHER, STEEL, NICKEL PLATED

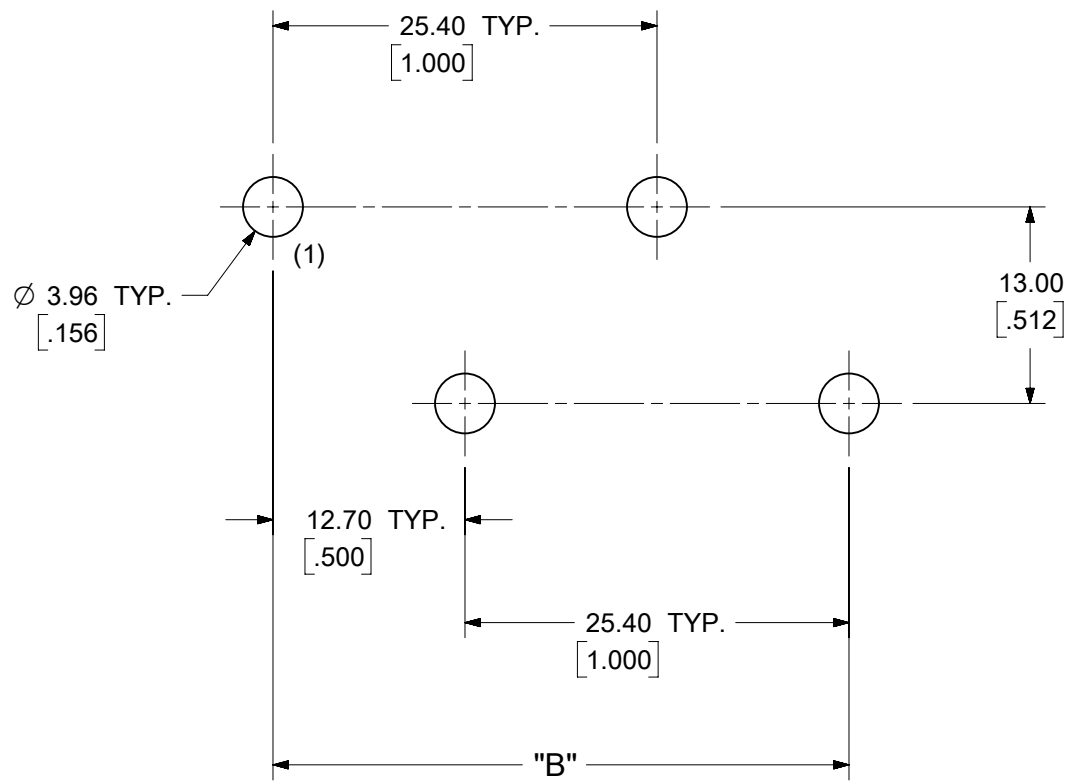
TERM. STYLE 0 - PC TAILS



SECTION A-A

THIS DRAWING CONTAINS INFORMATION THAT IS PROPRIETARY TO MOLEX ELECTRONIC TECHNOLOGIES, LLC AND SHOULD NOT BE USED WITHOUT WRITTEN PERMISSION									
SYMBOLS		DIMENSION UNITS		SCALE		CURRENT REV DESC: UPDATED NOTES SECTION			
▽ = 0	▽ = 0	MM/INCH		2:1		EC NO: 632901			
▽ = 0	▽ = 0	GENERAL TOLERANCES (UNLESS SPECIFIED)				DRWN: ABENJAMINLW 2020/01/14			
▽ = 0	▽ = 0		MM	INCH		CHK'D: DACHAMMER 2020/02/25			
▽ = 0	▽ = 0	4 PLACES ±	---	±	---	APPR: JFMURPHY 2020/03/09			
▽ = 0	▽ = 0	3 PLACES ±	---	±	.005	INITIAL REVISION:			
▽ = 0	▽ = 0	2 PLACES ±	0.13	±	.01	DRWN: CLYORK 2006/11/22		DOCUMENT NUMBER	
▽ = 0	▽ = 0	1 PLACE ±	0.3	±	---	APPR: JMACNEIL 2006/12/01		SD-38969-001	
▽ = 0	▽ = 0	0 PLACES ±	---	±	---	ANGULAR TOL ± 2°		PSD 001 E	
▽ = 0	▽ = 0	DRAFT WHERE APPLICABLE MUST REMAIN WITHIN DIMENSIONS		THIRD ANGLE PROJECTION		DRAWING		SHEET NUMBER	
▽ = 0	▽ = 0			B-SIZE		SERIES		1 OF 2	
				38969		MATERIAL NUMBER		GENERAL MARKET	
						SEE LEGEND			

QUANTITY OF CIRCUITS	DIM. "A"		DIM. "B"	
	mm	IN	mm	IN
02	27.9	1.10	12.70	.500
03	40.6	1.60	25.40	1.000
04	53.3	2.10	38.10	1.500
05	66.0	2.60	50.80	2.000
06	78.7	3.10	63.50	2.500
07	91.4	3.60	76.20	3.000
08	104.1	4.10	88.90	3.500
09	116.8	4.60	101.60	4.000
10	129.5	5.10	114.30	4.500
11	142.2	5.60	127.00	5.000
12	154.9	6.10	139.70	5.500
13	167.6	6.60	152.40	6.000
14	180.3	7.10	165.10	6.500
15	193.0	7.60	177.80	7.000



RECOMMENDED PCB LAYOUT

SYMBOLS	THIS DRAWING CONTAINS INFORMATION THAT IS PROPRIETARY TO MOLEX ELECTRONIC TECHNOLOGIES, LLC AND SHOULD NOT BE USED WITHOUT WRITTEN PERMISSION									
	DIMENSION UNITS	SCALE		CURRENT REV DESC: UPDATED NOTES SECTION						
MM/INCH	2:1									
GENERAL TOLERANCES (UNLESS SPECIFIED)			EC NO: 632901		DRWN: ABENJAMINLW		2020/01/14		12.70MM [.500] SINGLE ROW TRI-BARRIER TERMINAL STRIP	
4 PLACES ± --- ± ---			CHK'D: DACHAMMER		2020/02/25		PRODUCT CUSTOMER DRAWING		DOCUMENT NUMBER	
3 PLACES ± --- ± .005			APPR: JFMURPHY		2020/03/09		SD-38969-001		DOC TYPE DOC PART REVISION	
2 PLACES ± 0.13 ± .01			INITIAL REVISION:		DRWN: CLYORK		2006/11/22		PSD 001 E	
1 PLACE ± 0.3 ± ---			APPR: JMACNEIL		2006/12/01		MATERIAL NUMBER		CUSTOMER	
0 PLACES ± --- ± ---			DRAFT WHERE APPLICABLE MUST REMAIN WITHIN DIMENSIONS		THIRD ANGLE PROJECTION		DRAWING		SHEET NUMBER	
ANGULAR TOL ± 2°			B-SIZE		SERIES		SEE LEGEND		GENERAL MARKET	
			38969						2 OF 2	