

# VS-25-BU-DSUB-HD-CD-B

Order No.: 1655247



<http://eshop.phoenixcontact.de/phoenix/treeViewClick.do?UID=1655247>

D-SUB contact carrier, shell size 3, for 44 signal contacts, contact type socket, for crimp contacts, straight, fixing with a 3 mm hole, for panel mounting frame and sleeve housing VS-25-...

## Commercial data

GTIN (EAN)	 4 046356 029186
Note	Made-to-order
sales group	D501
Pack	10 pcs.
Customs tariff	85369010
Catalog page information	Page 321 (PC-2009)

## Product notes

WEEE/RoHS-compliant since:  
06/14/2006



<http://www.download.phoenixcontact.com>  
Please note that the data given here has been taken from the online catalog. For comprehensive information and data, please refer to the user documentation. The General Terms and Conditions of Use apply to Internet downloads.

## Technical data

### Mechanical characteristics

Number of positions	44
Insertion/withdrawal cycles	≥ 500
Type of connection	Crimp connection
Ambient temperature (operation)	-55 °C ... 125 °C

### Material data

Inflammability class acc. to UL 94	V0
Housing material	Steel, yellow chromated

Contact carrier material	Polyester GF
--------------------------	--------------

**Electrical characteristics**

Rated voltage (III/3)	60 V
Rated surge voltage	1 kV
Rated current	3 A

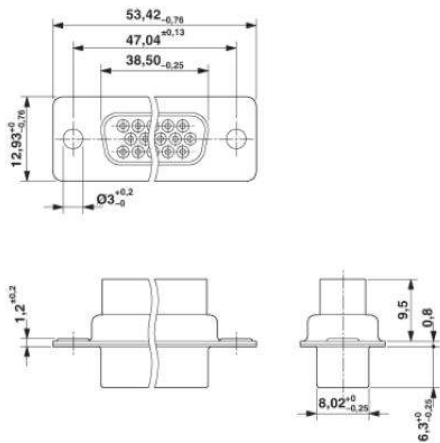
**Accessories**

Item	Designation	Description
<b>Contacts</b>		
1655263	VS-BU-CD-HD-1,0/13,5/0,37	Crimp contact, for D-SUB contact inserts with high density, socket, connection cross section AWG 22, turned, gold-plated

**Diagrams/Drawings**

Dimensioned drawing

D-SUB contact carrier



**Address**

PHOENIX CONTACT Deutschland GmbH  
Flachmarktstr. 8  
32825 Blomberg, Germany  
Phone +49 5235 3 12000  
Fax +49 5235 3 41200  
<http://www.phoenixcontact.de>



© 2011 Phoenix Contact  
Technical modifications reserved;