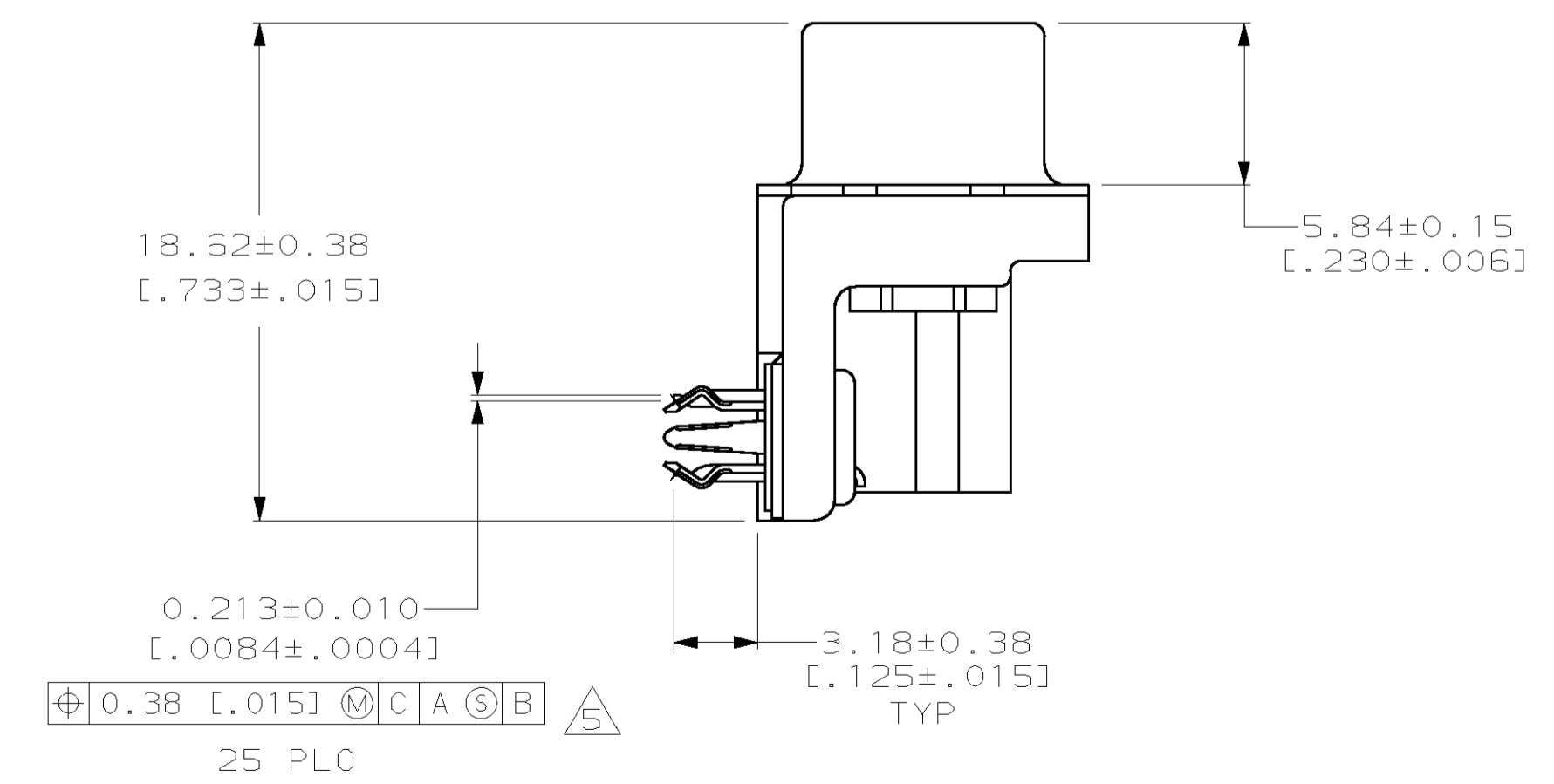
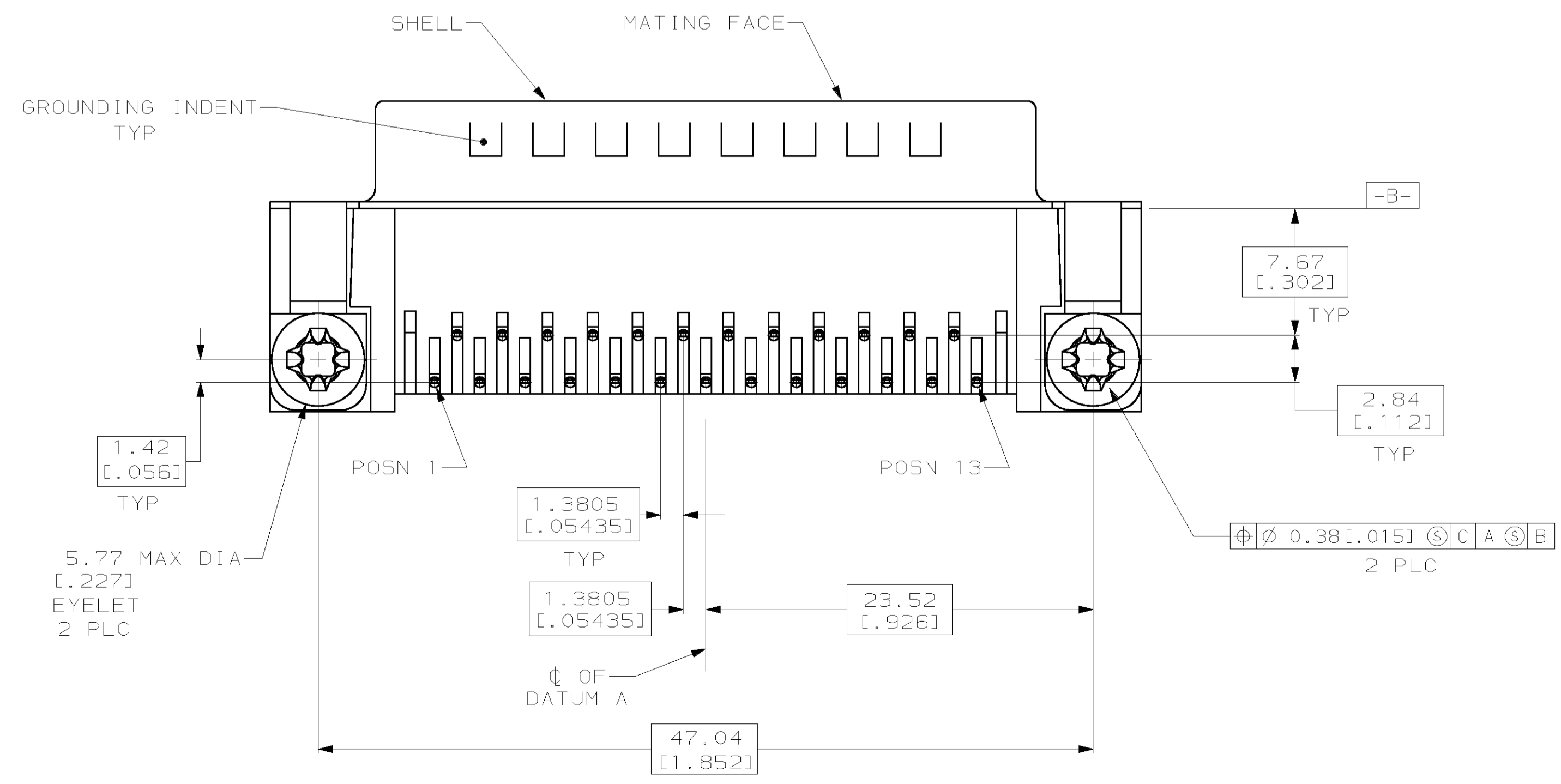
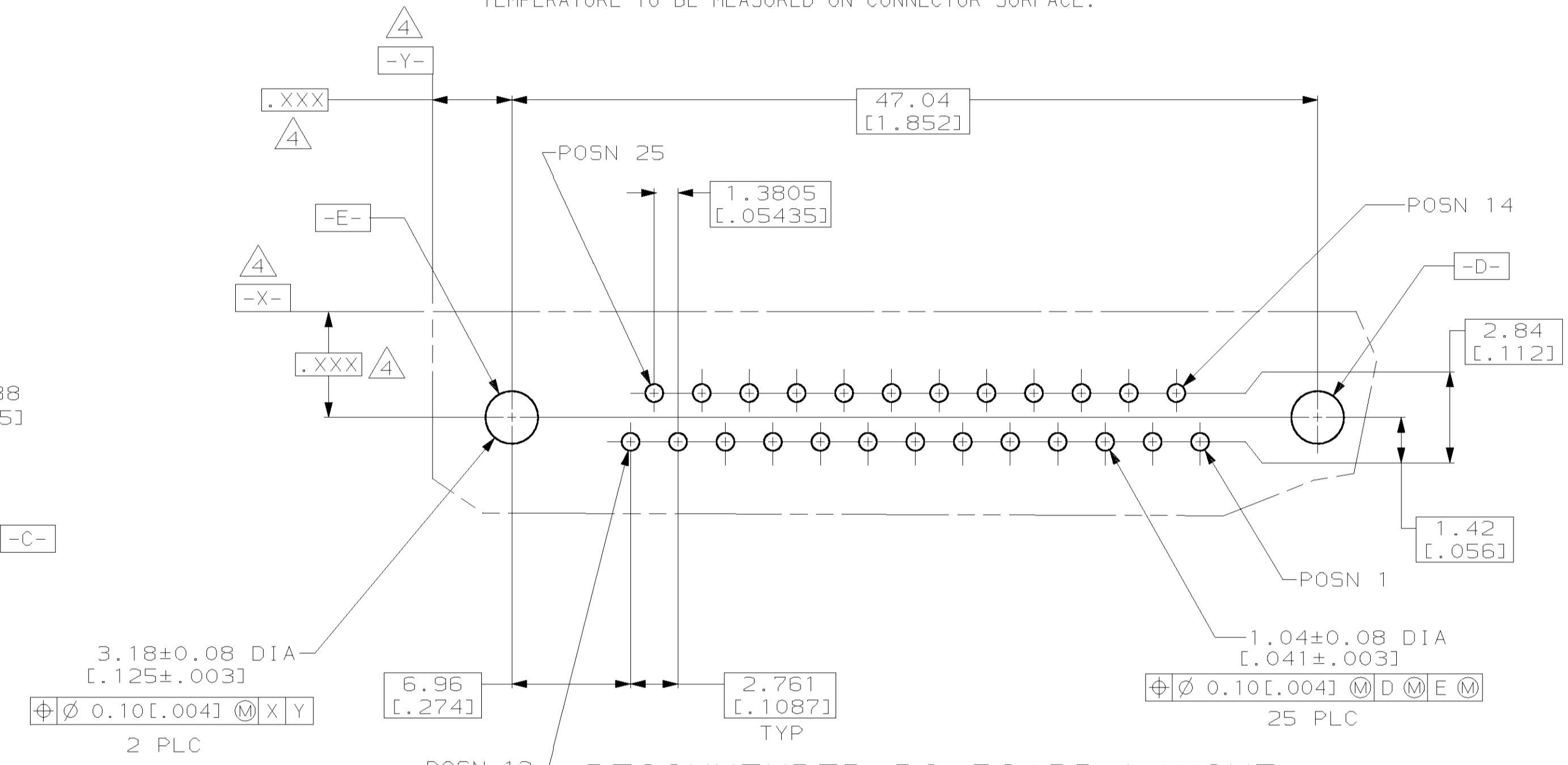
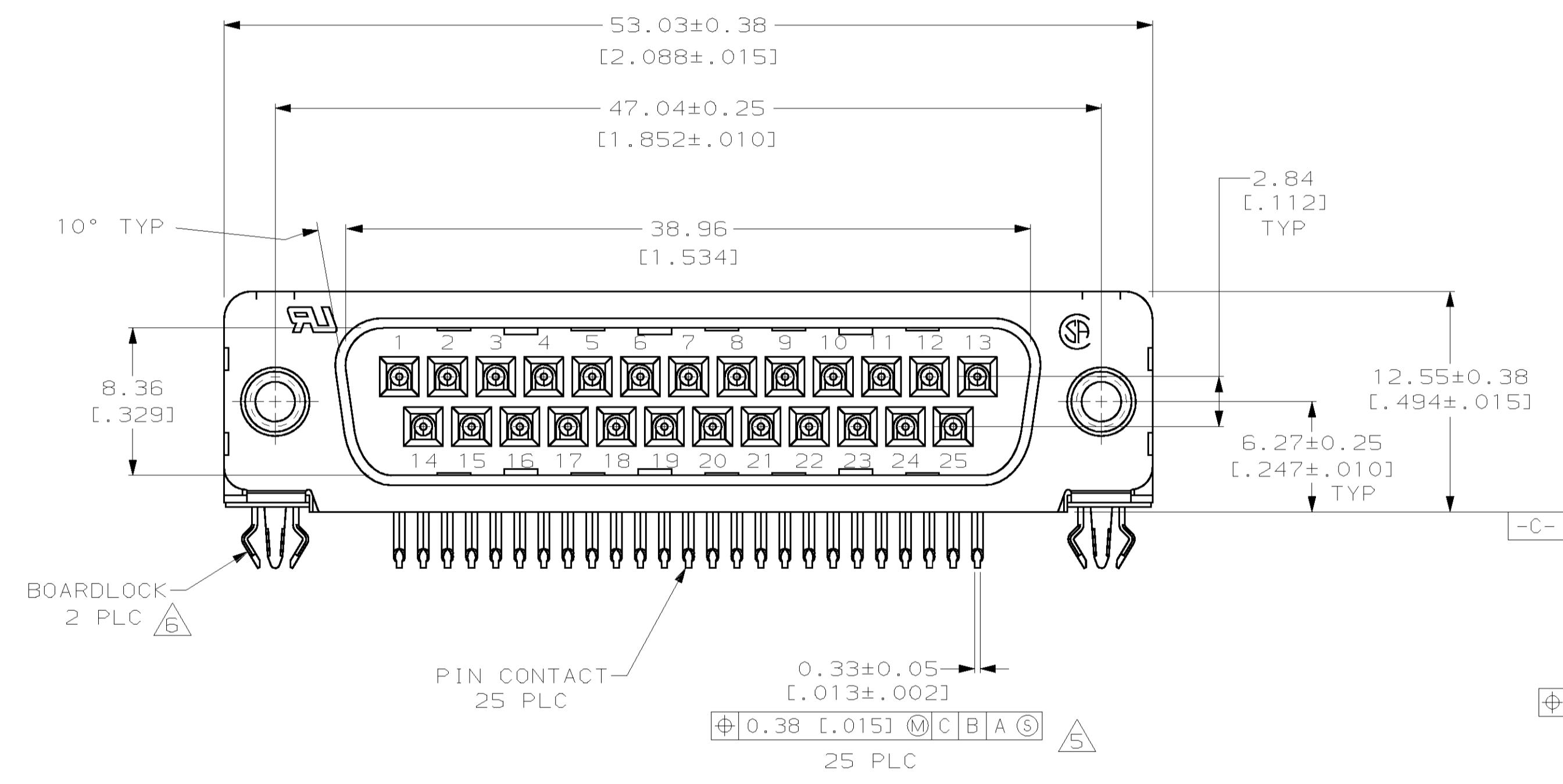
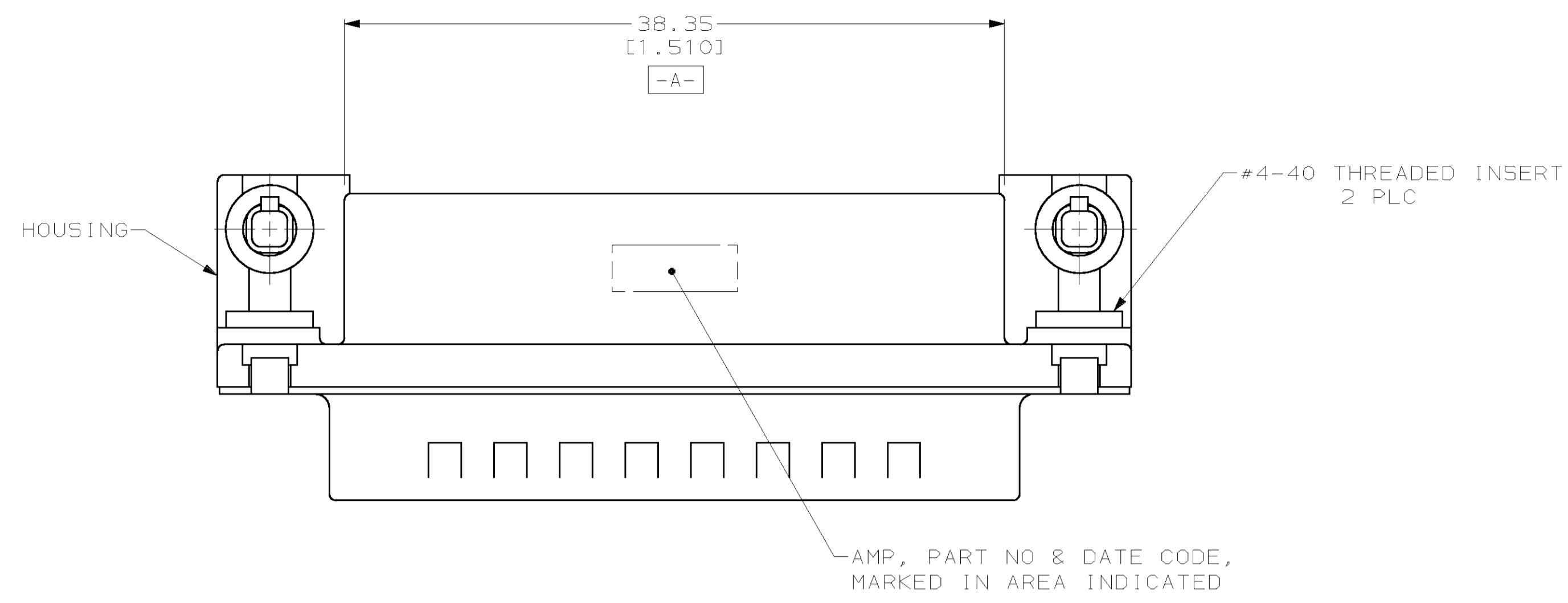


LOC	DIST	REVISIONS			
F	CHR	DESCRIPTION	DATE	BY	APVD
0	RLSE -1 & -2	PER NPR 221	02 MAR 00	DB	JK

- △ HOUSING: NYLON, THERMOPLASTIC, UL 94V0 RATED, BLACK; SHELL: CARBON STEEL PER ASTM A109; PIN CONTACTS: BRASS PER MIL-C-50; EYELETS: BRASS; THREADED INSERTS: ZINC; BOARDLOCKS: COPPER ALLOY.
- △ PIN CONTACTS: GOLD PLATED FOR A LENGTH OF 3.81 [1.50] MIN FROM MATING END, 0.76µm [0.00030] MIN GOLD IN MATED AREA, 2.54µm [0.00100] MIN TIN OR TIN-LEAD FOR A LENGTH OF 3.56 [1.40] MIN FROM OPPOSITE END, BOTH OVER 1.27µm [0.00050] MIN NICKEL.  
EYELETS: 2.54µm [0.00100] MIN TIN-LEAD OR TIN OVER COPPER FLASH.  
SHELL: 2.54µm [0.00100] MIN TIN OVER 1.27µm [0.00050] MIN COPPER.  
THREADED INSERTS: CLEAR CHROMATE.  
BOARDLOCKS: 3.81µm [0.00150] MIN TIN-LEAD OVER 1.27µm [0.00050] MIN NICKEL.
- △ PIN CONTACTS: GOLD PLATED FOR A LENGTH OF 3.81 [1.50] MIN FROM MATING END, GOLD FLASH IN MATED AREA, 2.54µm [0.00100] MIN TIN OR TIN-LEAD FOR A LENGTH OF 3.56 [1.40] MIN FROM OPPOSITE END, BOTH OVER 1.27µm [0.00050] MIN NICKEL.  
EYELETS: 2.54µm [0.00100] MIN TIN-LEAD OR TIN OVER COPPER FLASH.  
SHELL: 2.54µm [0.00100] MIN TIN OVER 1.27µm [0.00050] MIN COPPER.  
THREADED INSERTS: CLEAR CHROMATE.  
BOARDLOCKS: 3.81µm [0.00150] MIN TIN-LEAD OVER 1.27µm [0.00050] MIN NICKEL.
- △ DATUMS AND BASIC DIMENSIONS ESTABLISHED BY CUSTOMER.
- △ POSITION TOLERANCE APPLIES AT CONTACT TIP.
- △ BOARDLOCKS WILL ACCEPT .062 MAX PRINTED CIRCUIT BOARD THICKNESS.
- 7. COMPATIBLE WITH TYPICAL HIGH TEMPERATURE SOLDERING APPLICATIONS TO A MAXIMUM OF 225°C FOR A MAXIMUM DURATION OF 90 SECONDS. TEMPERATURE TO BE MEASURED ON CONNECTOR SURFACE.



△	788794-2
△	788794-1
FINISH	PART NO

THIS DRAWING IS A CONTROLLED DOCUMENT AND IS UNPUBLISHED. IT IS SUBJECT TO CHANGE AND THE CONTROLLING ENGINEERING ORGANIZATION SHALL BE CONTACTED FOR THE LATEST REVISION.		AMP INCORPORATED Harrisburg, PA 17105-3608	
DIMENSIONS: mm (INCHES)		TOLERANCES UNLESS OTHERWISE SPECIFIED:	
0 PLC	±	0.13 (0.005)	±
1 PLC	±		
2 PLC	±		
3 PLC	±		
4 PLC	±		
ANGLES	±	12°	
MATERIAL	FINISH	WEIGHT	
SEE TABLE			
CUSTOMER DRAWING		AMP Incorporated Harrisburg, PA 17105-3608 PLUG ASSEMBLY, SIZE 3, 318 SERIES, WITH FRONT METAL SHELL, HIGH TEMPERATURE, AMPLIMIT™ HD 20 NOT THE LATEST REVISION A1 00779	