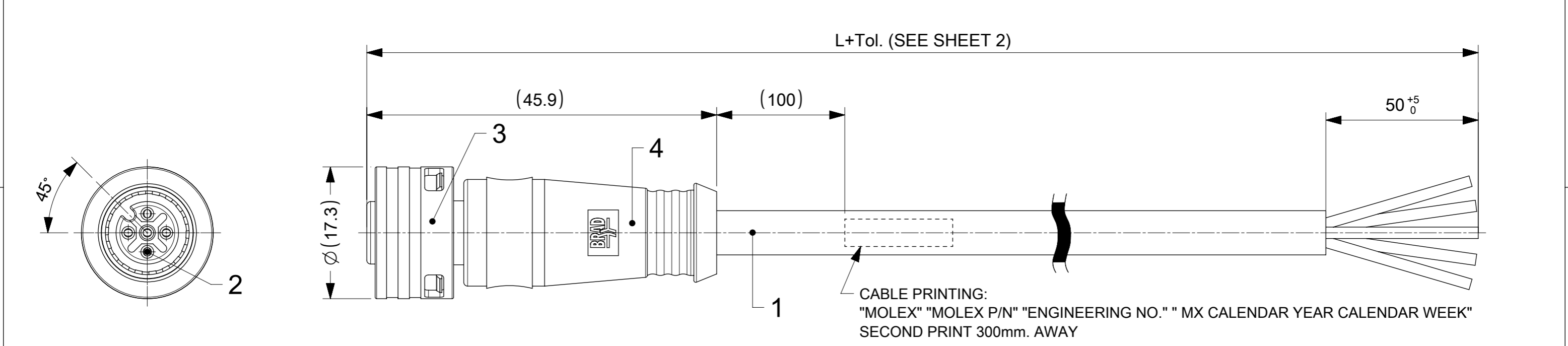
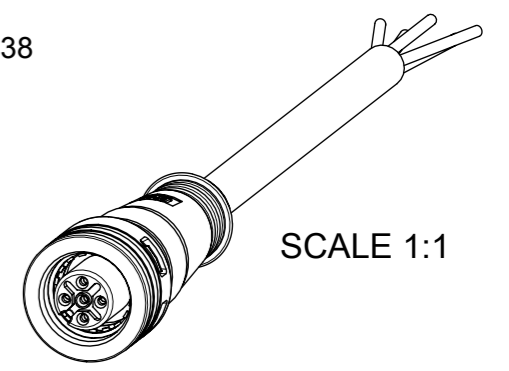


CODING ACCORDING TO IEC 61076-2-101



- NOTES:
- PARTS ACC. TO PRODUCT SPECIFICATION 1204000001 PS P10 AND IN STYLE OF IEC-61076-2-010
  - BOM & PART LIST - SEE SHEET 2
  - RATED VOLTAGE :  
3, 4 CONTACTS: 250V AC OR DC  
5 CONTACTS: 60V AC OR DC  
RATED CURRENT:  
3, 4, 5 CONTACTS: 4A, DERATING HAS TO BE CONSIDERED  
OVERVOLTAGE CATEGORY: 3  
POLLUTION DEGREE: 3, ONLY IN MATED AND LOCKED CONDITION
  - PROTECTION CLASS: IP 67, ONLY IN MATED AND LOCKED CONDITION
  - TEMPERATURE RANGE:  
TEMPERATURE PLUG/SOCKET: -40 °C TO +85 °C  
TEMPERATURE CABLE: SEE CABLE LIST
  - MECHANICAL OPERATIONS: 100 CYCLES
  - MATES WITH ULTRA-LOCK M12 MALE RECEPTACLES
  - PACKAGING: THE CORDSETS ARE SINGLE PACKED IN PLASTIC BAGS AND DELIVERED IN CARTON BOXES
  - UL CSA FILE REGISTRATION PENDING

FOR EXAMPLE: MOLEX 1204000001 Y03000E03M010 MX2038



DOCUMENT STATUS	P1	RELEASE DATE	2023/01/31	08:21:28
-----------------	----	--------------	------------	----------

FUNCTIONAL SYMBOLS	THIS DRAWING CONTAINS INFORMATION THAT IS PROPRIETARY TO MOLEX ELECTRONIC TECHNOLOGIES, LLC AND SHOULD NOT BE USED WITHOUT WRITTEN PERMISSION	CURRENT REV DESC: NOTES AND CABLE LIST UPDATED		<b>molex</b>																																			
	<table border="1"> <tr> <th>FUNCTIONAL SYMBOLS</th> <th>DIMENSION UNITS</th> <th>SCALE</th> </tr> <tr> <td>∇/A = 0</td> <td>mm</td> <td>2:1</td> </tr> <tr> <td>∇/E = 0</td> <td colspan="2">GENERAL TOLERANCES (UNLESS SPECIFIED)</td> </tr> <tr> <td>∇/V = 0</td> <td colspan="2">ANGULAR TOL ± 1.0 °</td> </tr> <tr> <td></td> <td>4 PLACES</td> <td>±</td> </tr> <tr> <td></td> <td>3 PLACES</td> <td>±</td> </tr> <tr> <td></td> <td>2 PLACES</td> <td>± 0.05</td> </tr> <tr> <td></td> <td>1 PLACE</td> <td>± 0.3</td> </tr> <tr> <td></td> <td>0 PLACES</td> <td>± 0.5</td> </tr> </table>	FUNCTIONAL SYMBOLS	DIMENSION UNITS			SCALE	∇/A = 0	mm	2:1	∇/E = 0	GENERAL TOLERANCES (UNLESS SPECIFIED)		∇/V = 0	ANGULAR TOL ± 1.0 °			4 PLACES	±		3 PLACES	±		2 PLACES	± 0.05		1 PLACE	± 0.3		0 PLACES	± 0.5	<table border="1"> <tr> <td>EC NO: 736602</td> <td>2023/01/23</td> </tr> <tr> <td>DRWN: RSCHIEBER</td> <td>2023/01/31</td> </tr> <tr> <td>CHK'D: RSILLER</td> <td>2023/01/31</td> </tr> <tr> <td>APPR: RSILLER</td> <td>2023/01/31</td> </tr> </table>		EC NO: 736602	2023/01/23	DRWN: RSCHIEBER	2023/01/31	CHK'D: RSILLER	2023/01/31	APPR: RSILLER
FUNCTIONAL SYMBOLS	DIMENSION UNITS	SCALE																																					
∇/A = 0	mm	2:1																																					
∇/E = 0	GENERAL TOLERANCES (UNLESS SPECIFIED)																																						
∇/V = 0	ANGULAR TOL ± 1.0 °																																						
	4 PLACES	±																																					
	3 PLACES	±																																					
	2 PLACES	± 0.05																																					
	1 PLACE	± 0.3																																					
	0 PLACES	± 0.5																																					
EC NO: 736602	2023/01/23																																						
DRWN: RSCHIEBER	2023/01/31																																						
CHK'D: RSILLER	2023/01/31																																						
APPR: RSILLER	2023/01/31																																						
DIVISIONAL SYMBOLS				PRODUCT CUSTOMER DRAWING																																			
<table border="1"> <tr> <td>INITIAL REVISION:</td> <td>DOCUMENT NUMBER</td> <td>DOC TYPE</td> <td>DOC PART</td> <td>REVISION</td> </tr> <tr> <td>DRWN: RSCHIEBER</td> <td>1204000025</td> <td>PSD</td> <td>000</td> <td>A3</td> </tr> <tr> <td>APPR: RSILLER</td> <td>2020/09/15</td> <td></td> <td></td> <td></td> </tr> <tr> <td></td> <td>2020/09/29</td> <td></td> <td></td> <td></td> </tr> </table>				INITIAL REVISION:	DOCUMENT NUMBER	DOC TYPE	DOC PART	REVISION	DRWN: RSCHIEBER	1204000025	PSD	000	A3	APPR: RSILLER	2020/09/15					2020/09/29																			
INITIAL REVISION:	DOCUMENT NUMBER	DOC TYPE	DOC PART	REVISION																																			
DRWN: RSCHIEBER	1204000025	PSD	000	A3																																			
APPR: RSILLER	2020/09/15																																						
	2020/09/29																																						
<table border="1"> <tr> <td>DRAFT WHERE APPLICABLE MUST REMAIN WITHIN DIMENSIONS</td> <td>THIRD ANGLE PROJECTION</td> <td>DRAWING</td> <td>SERIES</td> <td>MATERIAL NUMBER</td> <td>CUSTOMER</td> <td>SHEET NUMBER</td> </tr> <tr> <td></td> <td>⊕</td> <td>A3-SIZE</td> <td>120400</td> <td>SEE SHEET 2</td> <td>GENERAL MARKET</td> <td>1 OF 2</td> </tr> </table>				DRAFT WHERE APPLICABLE MUST REMAIN WITHIN DIMENSIONS	THIRD ANGLE PROJECTION	DRAWING	SERIES	MATERIAL NUMBER	CUSTOMER	SHEET NUMBER		⊕	A3-SIZE	120400	SEE SHEET 2	GENERAL MARKET	1 OF 2																						
DRAFT WHERE APPLICABLE MUST REMAIN WITHIN DIMENSIONS	THIRD ANGLE PROJECTION	DRAWING	SERIES	MATERIAL NUMBER	CUSTOMER	SHEET NUMBER																																	
	⊕	A3-SIZE	120400	SEE SHEET 2	GENERAL MARKET	1 OF 2																																	


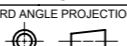
PART LIST			PART LIST			PART LIST		
MOLEX NO.	ENGINEERING NO.	LENGHT (MM)	MOLEX NO.	ENGINEERING NO.	LENGHT (MM)	MOLEX NO.	ENGINEERING NO.	LENGHT (MM)
120400001	Y03000E03M010	1000	1204000024	Y04000H09M100	10000			
120400002	Y03000E03M020	2000	1204000025	Y05000E03M010	1000			
120400003	Y03000E03M050	5000	1204000026	Y05000E03M020	2000			
120400004	Y03000E03M100	10000	1204000027	Y05000E03M050	5000			
120400005	Y03000B30M010	1000	1204000028	Y05000E03M100	10000			
120400006	Y03000B30M020	2000	1204000029	Y05000B30M010	1000			
120400007	Y03000B30M050	5000	1204000030	Y05000B30M020	2000			
120400008	Y03000B30M100	10000	1204000031	Y05000B30M050	5000			
120400009	Y03000H09M010	1000	1204000032	Y05000B30M100	10000			
120400010	Y03000H09M020	2000	1204000033	Y05000H09M010	1000			
120400011	Y03000H09M050	5000	1204000034	Y05000H09M020	2000			
120400012	Y03000H09M100	10000	1204000035	Y05000H09M050	5000			
120400013	Y04000E03M010	1000	1204000036	Y05000H09M100	10000			
120400014	Y04000E03M020	2000						
120400015	Y04000E03M050	5000						
120400016	Y04000E03M100	10000						
120400017	Y04000B30M010	1000						
120400018	Y04000B30M020	2000						
120400019	Y04000B30M050	5000						
120400020	Y04000B30M100	10000						
120400021	Y04000H09M010	1000						
120400022	Y04000H09M020	2000						
120400023	Y04000H09M050	5000						

CABLE LIST												
3P	4P	5P	CABLE TYPE	DESCRIPTION	MATERIAL	FINISH/COLOR	FIXED INSTALLATION *		FLEXIBLE INSTALLATION **		DRAG CHAIN	
							MIN.	MAX.	MIN.	MAX.	MIN.	MAX.
X			E03	CABLE PVC, BLK 3X0.34MM D4.9	PVC	BLACK	-30°C	+80°C	-10°C	+80°C	NOT SUITABLE	
	X		CABLE PVC, BLK 4X0.34MM D5.4									
		X	CABLE PVC, BLK 5X0.34MM(UL/CSA) D5.8									
X			B30	CABLE 3X0.34 TPU BK D4.80 TPE UNSH DCS	PUR WSOR	BLACK	-40°C	+90°C	-25°C	+80°C	-5°C	+60°C
	X		CABLE 4X0.34 TPU BK D5.10 TPE UNSH DCS									
		X	CABLE 5X0.34 TPU BK D5.50 TPE UNSH DCS									
X			H09	CABLE PUR;BLK 3X0.34MM-LSOH;UL D4.4	PUR-LS0H	BLACK	-40°C	+80°C	-25°C	+80°C	+5°C	+60°C
	X		CABLE PUR;BLK 4X0.34MM-LSOH;UL D4.7									
		X	CABLE PUR BLK 5X0.34MM LSZH UL D5.0									

\* FIXED POSITION WITHOUT ACCIDENTAL CRUSHING OF VIBRATION.  
\*\* FREE MOTION WITHOUT PERIODIC RECURRENCE OR FORCED GUIDANCE.

CABLE LENGTH TOLERANCES	
LENGTH	TOLERANCE
0m-1m	+40 mm
>1m-5m	+60 mm
>5m-10m	+80 mm
>10m-20m	+140 mm
>20m-30m	+160 mm
>30m	+1% length

BILL OF MATERIAL:							
3P	4P	5P	ITEM	QTY	DESCRIPTION	MATERIAL	FINISH/COLOR
X	X	X	1	-	CABLE	SEE CABLE LIST	SEE CABLE LIST
X	X	X	2	3/4/5	CONTACT 10 FE STA AU CR WRA 0.14-0.50	BRASS	GOLD OVER NICKEL PLATED
X			3	1	PLG U12 3P AC FE PA UNSH	-	-
	X				PLG U12 4P AC FE PA UNSH		
		X			PLG U12 5P AC FE PA UNSH		
X	X	X	4	1	OVERMOLD	TPC	SEE MATRIX
IF "H" IS IN MATRIX-END			-	2	I/D CARRIER DIA 4-7MMX30MM	PVC	TRANSPARENT

FUNCTIONAL SYMBOLS ∇ <sub>A</sub> = 0 ∇ <sub>E</sub> = 0 ∇ <sub>V</sub> = 0 DIVISIONAL SYMBOLS	THIS DRAWING CONTAINS INFORMATION THAT IS PROPRIETARY TO MOLEX ELECTRONIC TECHNOLOGIES, LLC AND SHOULD NOT BE USED WITHOUT WRITTEN PERMISSION		CURRENT REV DESC: NOTES AND CABLE LIST UPDATED		  CSE U12 3-5P AC FE STR XM SE UNSH BK  PRODUCT CUSTOMER DRAWING				
	mm	1:1	EC NO: 736602						
	GENERAL TOLERANCES (UNLESS SPECIFIED)		DRWN: RSCHIEBER 2023/01/23						
	ANGULAR TOL ± 1.0°		CHK'D: RSILLER 2023/01/31						
	4 PLACES ±		APPR: RSILLER 2023/01/31						
	3 PLACES ±		INITIAL REVISION:						
	2 PLACES ± 0.05		DRWN: RSCHIEBER 2020/09/15						
	1 PLACE ± 0.3		APPR: RSILLER 2020/09/29						
	0 PLACES ± 0.5		DOCUMENT NUMBER						
	DRAFT WHERE APPLICABLE MUST REMAIN WITHIN DIMENSIONS		THIRD ANGLE PROJECTION	DRAWING		SERIES	MATERIAL NUMBER	CUSTOMER	DOC TYPE
			A3-SIZE	120400	SEE PART LIST	GENERAL MARKET	PSD	000	A3
									SHEET NUMBER
									2 OF 2