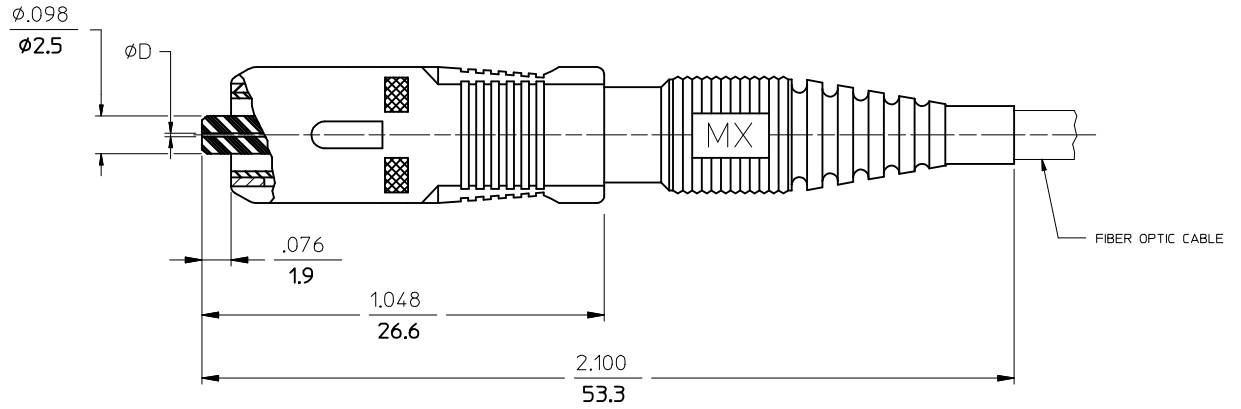
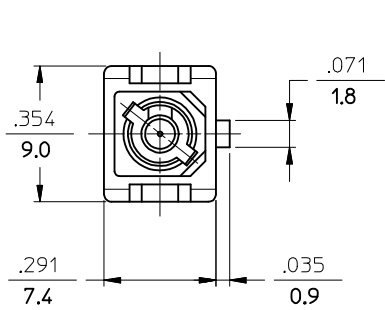


CONNECTOR P/N	øD (µm)	FERRULE MATERIAL	BOOT COLOR	HOUSING COLOR	CONNECTOR TYPE	CABLE (mm)
106063-0000	127	Zr	BLUE	BLUE	MULTIMODE	3
106063-0100			BEIGE	BEIGE		
106063-0060		LOW COST Zr	BLACK	BLACK		
106063-0099			YELLOW	BLUE		
106063-0090			BLACK	BLACK		
106063-0360	125.5	Zr	BLACK	BLACK	SINGLE MODE	2.4
106063-0070			YELLOW	BLUE	MULTIMODE	3
106063-2000			BLACK	BLACK		
106063-2070	BEIGE	BEIGE				
106063-3000	128	Zr	BLACK	BLACK	MULTIMODE	3
106063-3060			BEIGE	BEIGE		
106063-3070			BLACK	BLACK		

CONNECTOR P/N	øD (µm)	FERRULE MATERIAL	BOOT COLOR	HOUSING COLOR	CONNECTOR TYPE	CABLE (mm)	
106063-4000	125	Zr	YELLOW	BLUE	SINGLE MODE	3	
106063-4100	125.25		BLACK	BLACK			
106063-4070	125		YELLOW	BLUE			
106063-5000	126		BLACK	BLACK			
106063-5100			BLACK	BLACK			
106063-5070			YELLOW	BLUE			
106063-7000	127		BLACK	BLACK	MULTIMODE	2.4	
106063-7070			BLACK	BLACK			
106063-0300			BLUE	BLUE			
106063-0310	125		LOW COST Zr	YELLOW	BLUE	SINGLE MODE	3
106063-4300				YELLOW	BLUE		
106063-5300				YELLOW	BLUE		
106063-5310	126		LOW COST Zr	YELLOW	BLUE	SINGLE MODE	3
106063-5099				YELLOW	BLUE		



NOTES:

1. ALL DIMENSIONS ARE FOR REFERENCE ONLY.

△ P/N 106063-0090, P/N 106063-5100, P/N 106063-0100, P/N 106063-0310 AND P/N 106063-5310 ARE BULK PACKED IN QUANTITIES OF 100 PCS.

ENTER DESCRIPTION EC NO: MF-2017-0132 DRWIN:MANUAPPARE 2016/11/04 CHKD: IG/IMIN APPR: IG/IMIN 2016/11/16	QUALITY SYMBOLS ▽=0 ▽=0	GENERAL TOLERANCES (UNLESS SPECIFIED)		DIMENSION STYLE IN/MM	SCALE 5:1	DESIGN UNITS INCH	THIRD ANGLE PROJECTION
		4 PLACES ± --- ± --- 3 PLACES ± --- ± --- 2 PLACES ± --- ± --- 1 PLACE ± --- ± --- 0 PLACE ± --- ± ---	mm INCH ± --- ± --- ± --- ± --- ± --- ± --- ± --- ± --- ± --- ± ---	DRAWN BY RPACIFIC1	DATE 2005/12/22	TITLE SC CONNECTOR (ONE PIECE DESIGN)	
DRAFT WHERE APPLICABLE MUST REMAIN WITHIN DIMENSIONS		ANGULAR ±1/2°		APPROVED BY DATE	molex		
MATERIAL NO. SEE TABLE		DOCUMENT NO. SD-106063-XXX0		SHEET NO. 1 OF 1			
THIS DRAWING CONTAINS INFORMATION THAT IS PROPRIETARY TO MOLEX INCORPORATED AND SHOULD NOT BE USED WITHOUT WRITTEN PERMISSION							