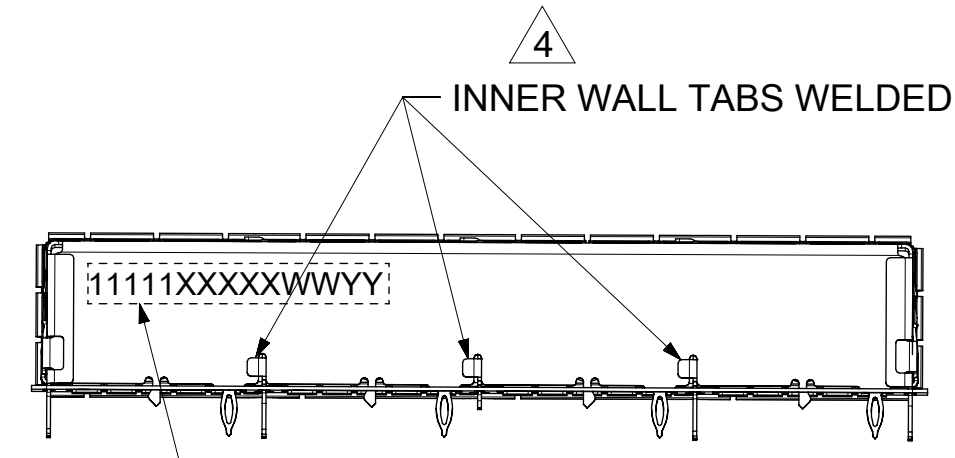
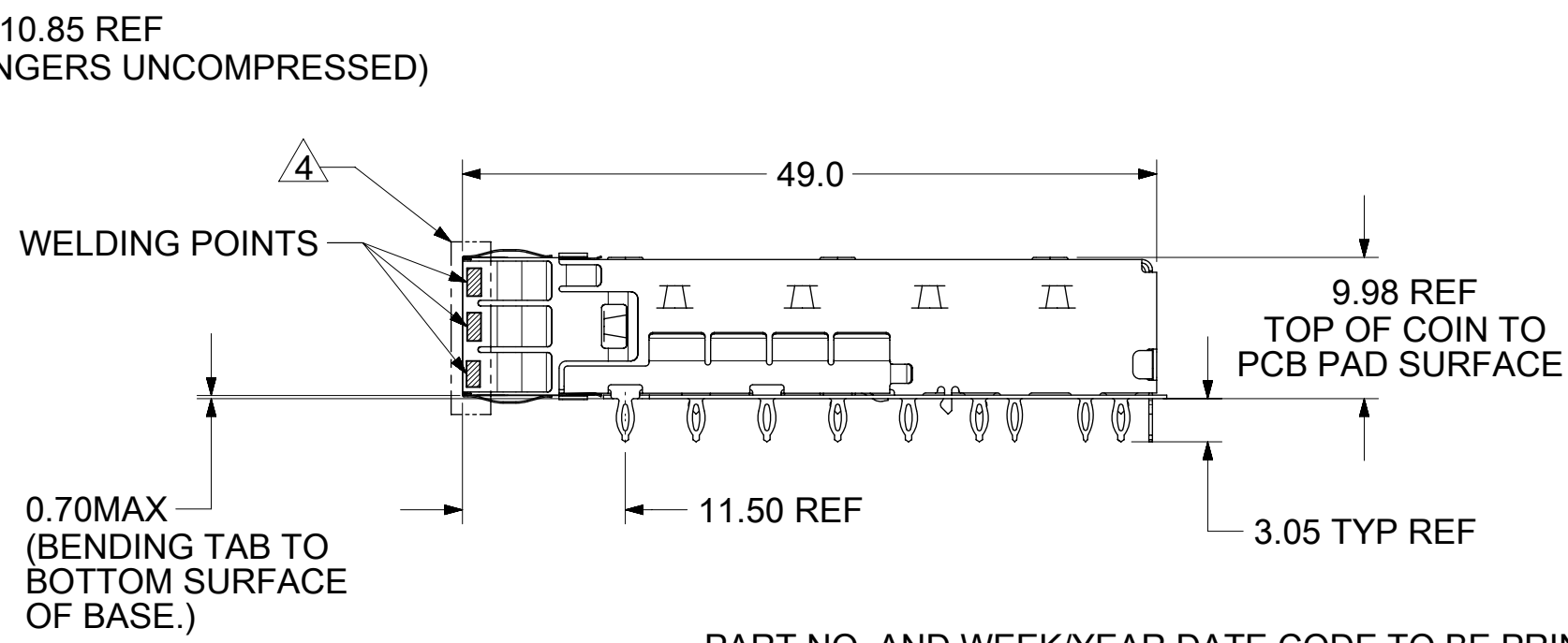
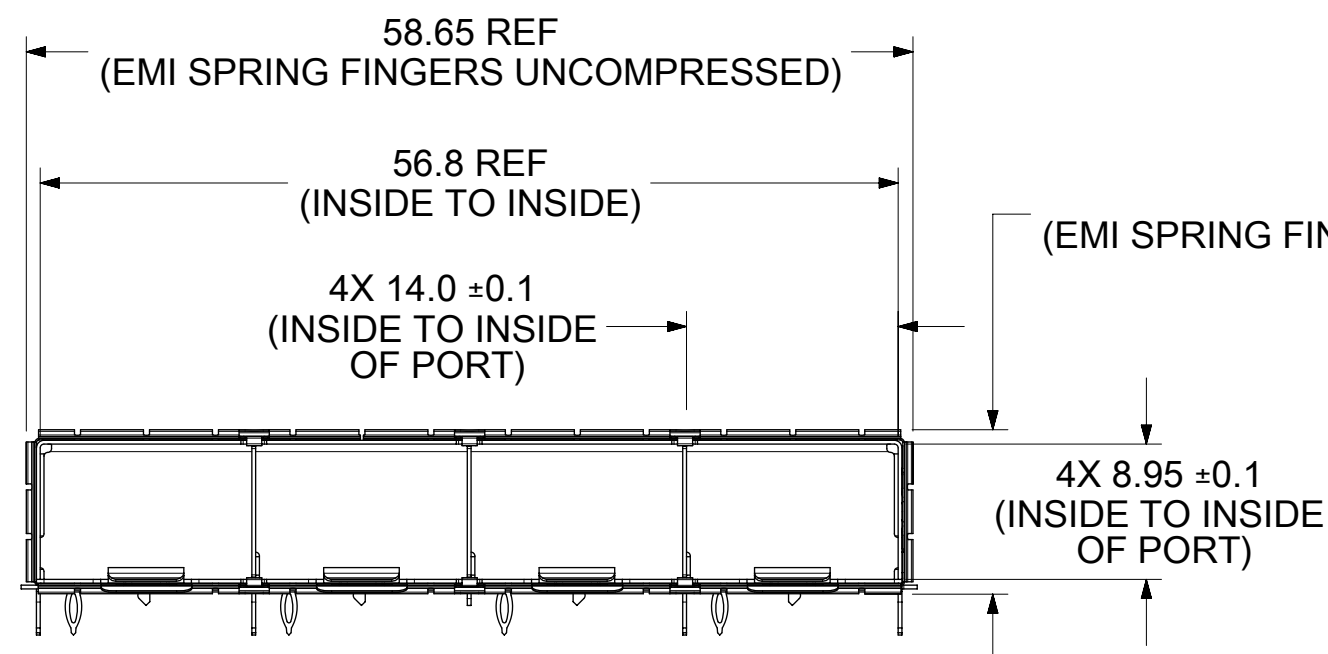
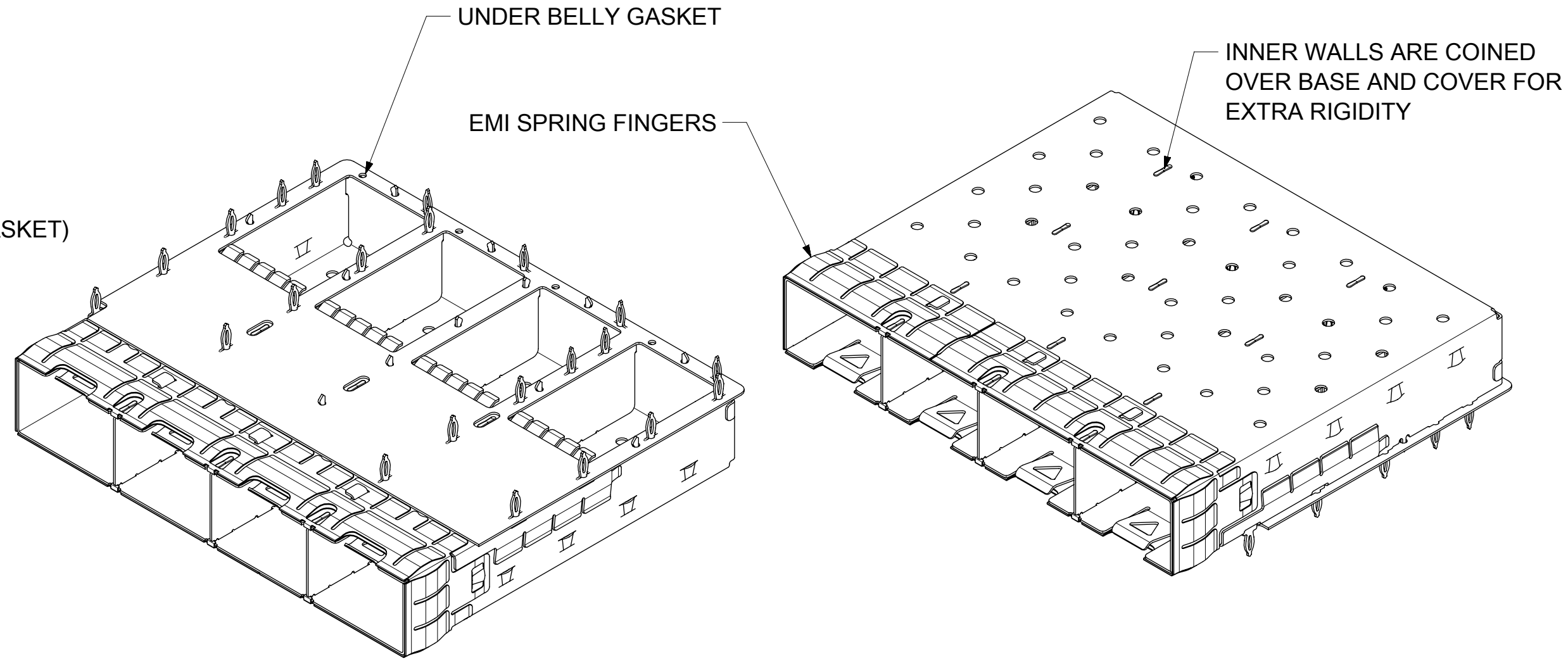
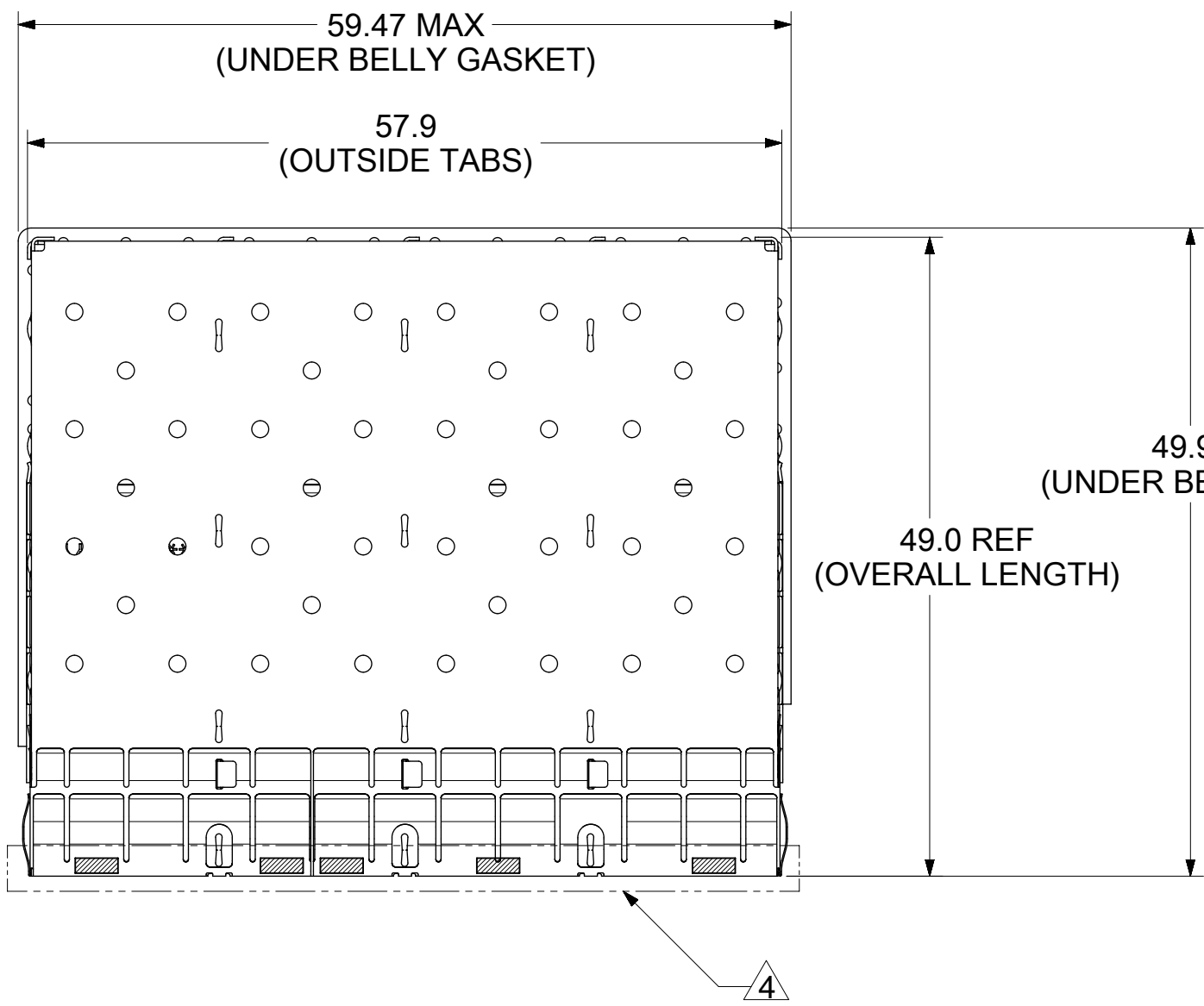


# COMMON DIMENSIONS

1001148421 SHOWN



PART NO. AND WEEK/YEAR DATE CODE TO BE PRINTED ON THE BACK OF COMPLETED CAGE ASSEMBLY APPROXIMATELY AS SHOWN SEE TABLE BELOW FOR DATE CODE INFORMATION

WEEK/YEAR DATE CODE TABLE	
WW	01 THRU 52 OR 53 EXAMPLE: 01 = FIRST WEEK OF YEAR 52 = LAST WEEK OF YEAR
YY	22, 23, 24 ETC. EXAMPLE: YEAR 2022 = 22

- NOTES:
- MATERIAL:  
CAGE: 0.25mm THICK COPPER ALLOY, NICKEL PLATED.  
SPRING FINGERS: STAINLESS STEEL.  
GASKET: EMI GASKET
  - PRESS FIT LEGS 3.05mm LONG:
  - PORTS ARE DESIGNED FOR SFP+ TRANSCEIVERS AND ARE COMPATIBLE WITH SFP TRANSCEIVERS.  
THE TOP SURFACE OF THE MODULE MUST BE FLAT (NO PRODUCT LABEL RECESS)  
AND THERMALLY CONDUCTIVE TO FUNCTION OPTIMALLY.
  - WELD SPOT MAY SHOW SLIGHT MATERIAL DISCOLORATION.
  - NO RoHS EXEMPTIONS.

FUNCTIONAL SYMBOLS	THIS DRAWING CONTAINS INFORMATION THAT IS PROPRIETARY TO MOLEX ELECTRONIC TECHNOLOGIES, LLC AND SHOULD NOT BE USED WITHOUT WRITTEN PERMISSION		CURRENT REV DESC: SEE REVISION TABLE	
	DIMENSION UNITS	SCALE		
$\nabla_A = 0$	mm	2:1		
$\nabla_C = 0$	GENERAL TOLERANCES (UNLESS SPECIFIED)			
	ANGULAR TOL $\pm 1.0^\circ$			
DIVISIONAL SYMBOLS	4 PLACES	$\pm$	EC NO: 707505	
	3 PLACES	$\pm$	DRWN: ABHILT2	2022/04/27
	2 PLACES	$\pm 0.15$	CHK'D: TKUMARKC	2022/05/20
	1 PLACE	$\pm 0.25$	APPR: SCHIEN	2022/05/20
0 PLACES	$\pm$	INITIAL REVISION:		
DRAFT WHERE APPLICABLE MUST REMAIN WITHIN DIMENSIONS		THIRD ANGLE PROJECTION	DRAWING	SERIES
			C-SIZE	100114
DOCUMENT STATUS		P1	RELEASE DATE	2022/05/20 08:36:29

**molex**

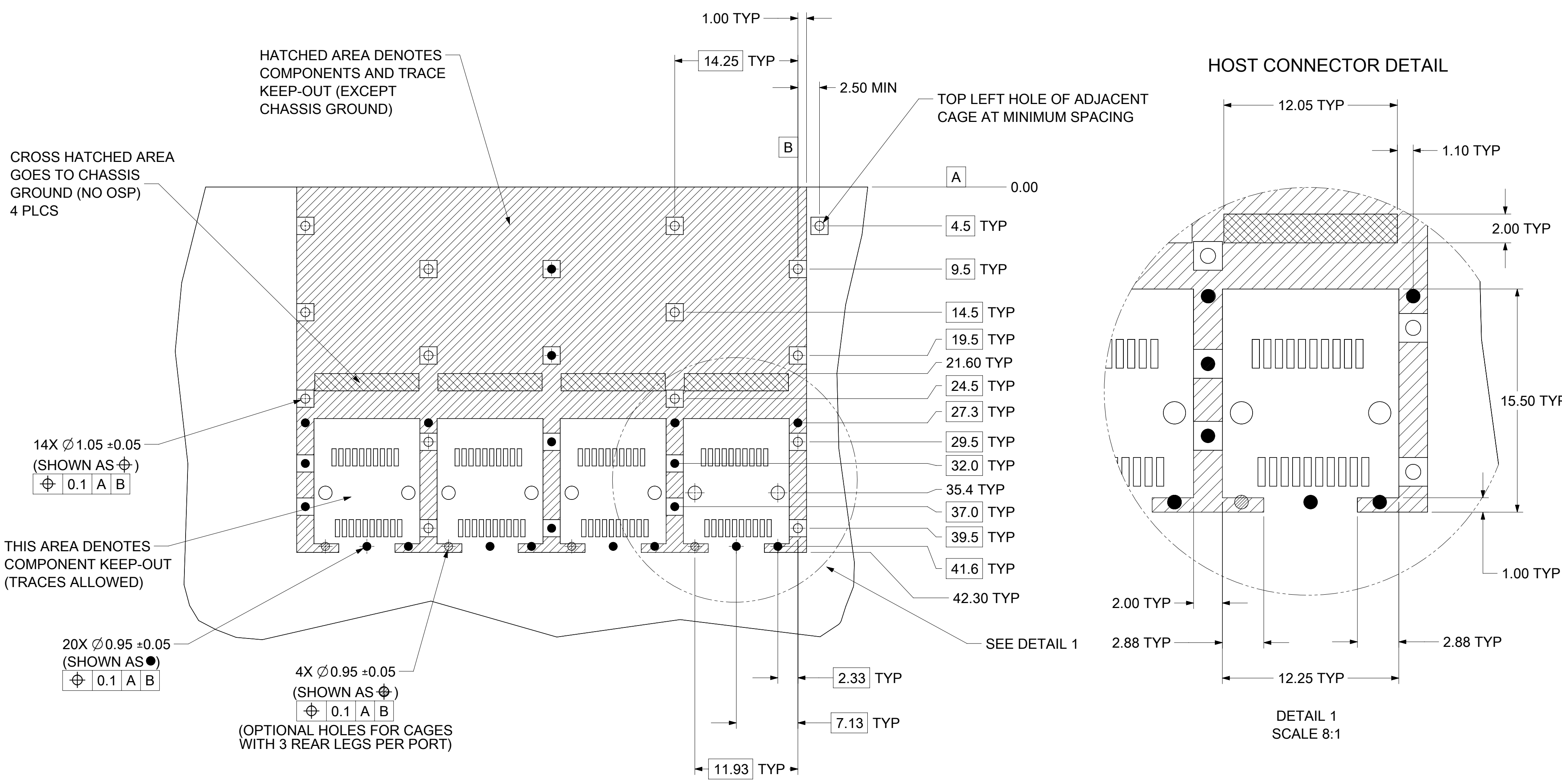
ZSFP+ 1X4 SF CAGE ASSY'S PRESS FIT SUS SPRING FINGER TYPE, WITH UNDER BELLY GASKET

PRODUCT CUSTOMER DRAWING

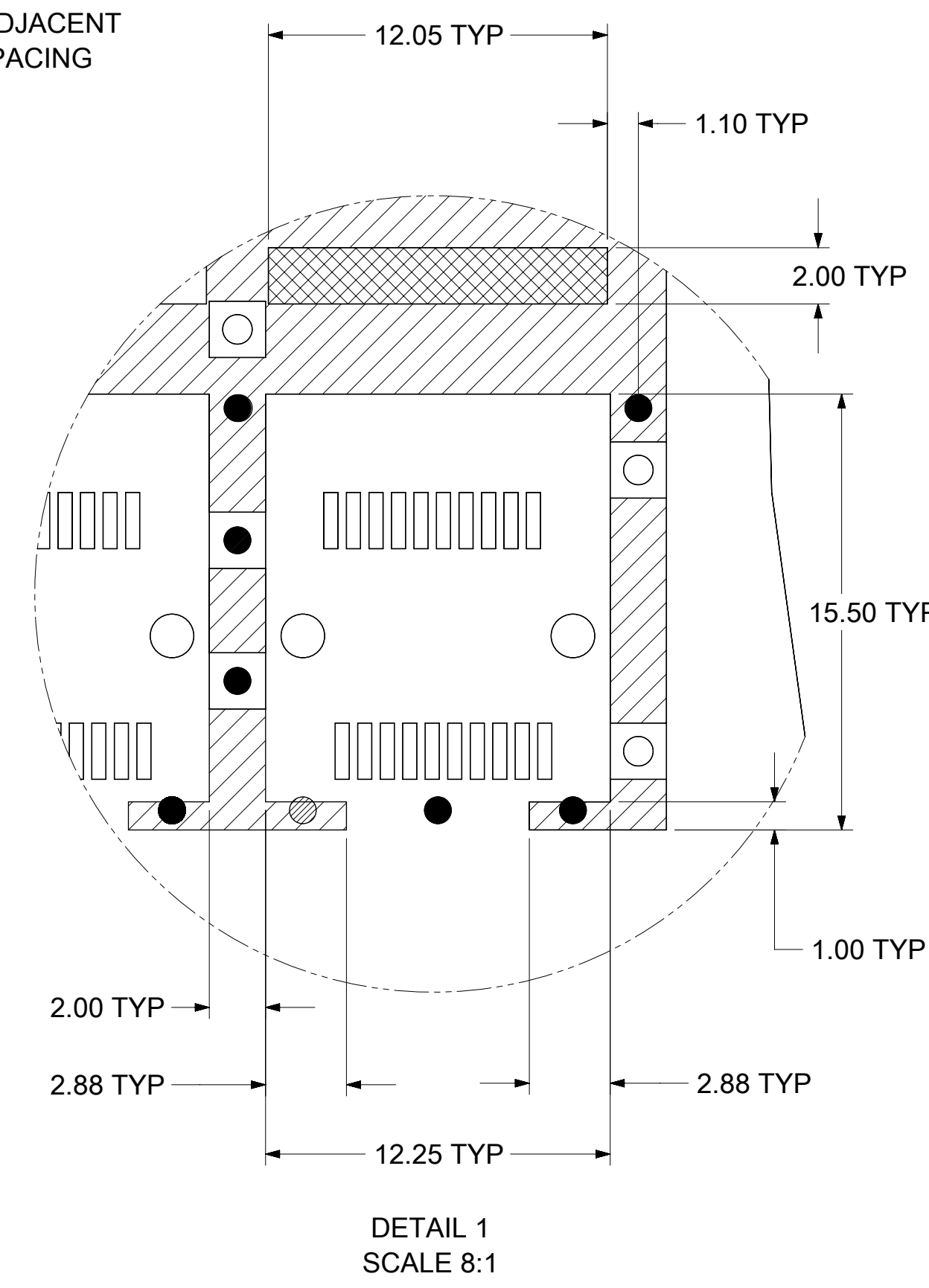
DOCUMENT NUMBER	DOC TYPE	DOC PART	REVISION
1001148421	PSD	ASY	A

MATERIAL NUMBER	CUSTOMER	SHEET NUMBER
1001148421	GENERAL MARKET	1 OF 5

# PCB LAYOUT FOR SINGLE SIDE MOUNT



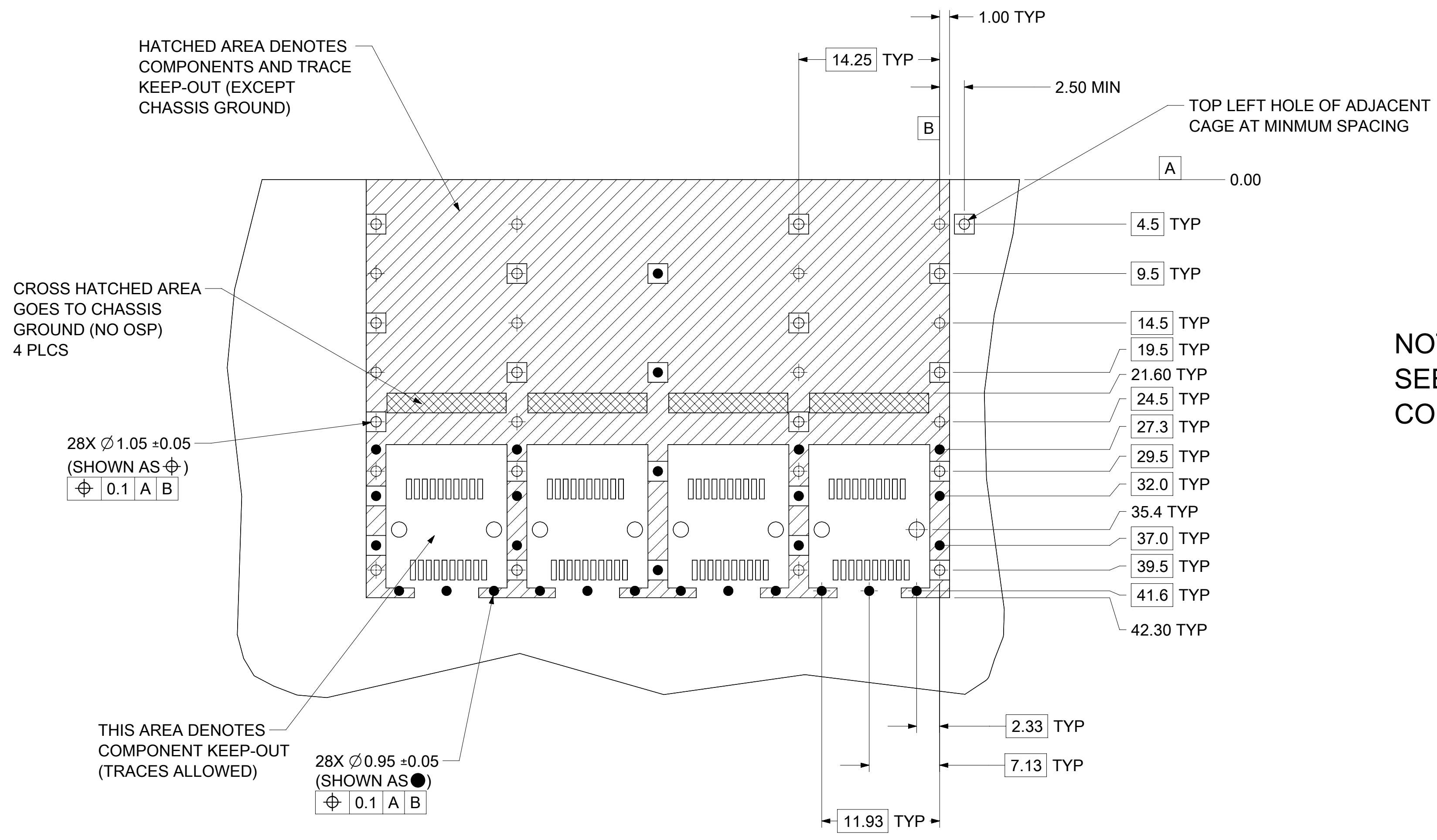
## HOST CONNECTOR DETAIL



- NOTES:**
1. PADS AND VIAS CONNECT TO CHASSIS GROUND (RECOMMENDED PADS TO BE 2.00mm SQUARE)
  2. RECOMMENDED THRU HOLE PLATING INCLUDES HASL, OSP, OR IMMERSION (GOLD, SILVER, OR TIN)
  3. CONNECTOR PAD LAYOUT PER SFP+ MSA WILL ACCOMMODATE MOLEX CONNECTOR SERIES 170382 OR EQUIVALENT
  4. HOLE PATTERN REPEATS FOR EACH PORT, SPACING BETWEEN PORTS IS 14.25mm
  5. MINIMUM PCB THICKNESS FOR SINGLE SIDED USE 1.57mm.

<b>FUNCTIONAL SYMBOLS</b> $\overline{A} = 0$ $\overline{C} = 0$ $\overline{P} = 0$	THIS DRAWING CONTAINS INFORMATION THAT IS PROPRIETARY TO MOLEX ELECTRONIC TECHNOLOGIES, LLC AND SHOULD NOT BE USED WITHOUT WRITTEN PERMISSION		CURRENT REV DESC: SEE REVISION TABLE	
	DIMENSION UNITS	SCALE		
	mm	3:1		
	GENERAL TOLERANCES (UNLESS SPECIFIED)			
<b>DIVISIONAL SYMBOLS</b> 4 PLACES ± 3 PLACES ± 2 PLACES ± 0.15 1 PLACE ± 0.25 0 PLACES ±	ANGULAR TOL	± 1.0°		
	EC NO: 707505		2022/04/27	
	DRWN: ABHILT2		2022/05/20	
	CHK'D: TKUMARKC		2022/05/20	
APPR: SCHIEN		2022/05/20		
INITIAL REVISION:				
DRWN: ABHILT2		2022/04/27		
APPR: SCHIEN		2022/05/20		
DRAFT WHERE APPLICABLE MUST REMAIN WITHIN DIMENSIONS		THIRD ANGLE PROJECTION	DRAWING	SERIES
			C-SIZE	100114
DOCUMENT STATUS		DOCUMENT NUMBER	MATERIAL NUMBER	CUSTOMER
P1	1001148421	1001140421	GENERAL MARKET	
RELEASE DATE	DOC TYPE	DOC PART	REVISION	SHEET NUMBER
2022/05/20 08:36:29	PSD	ASY	A	2 OF 5

# PCB LAYOUT FOR BELLY TO BELLY MOUNTING



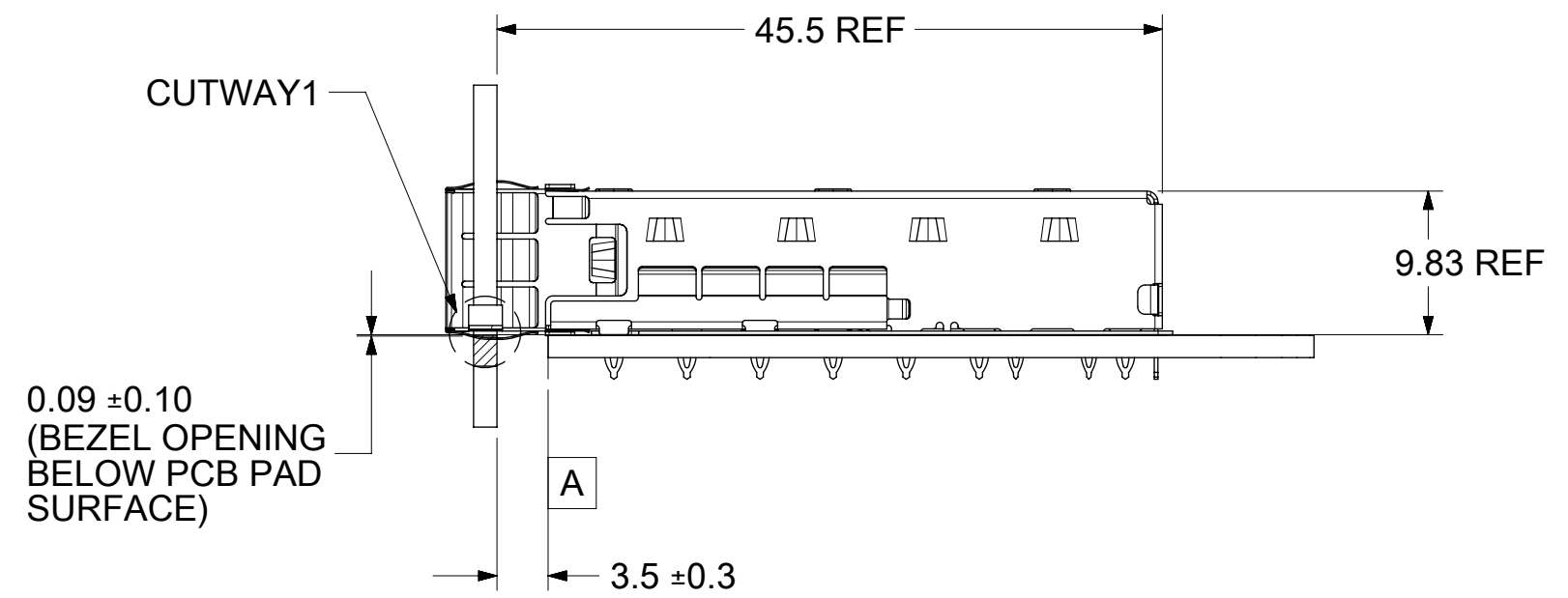
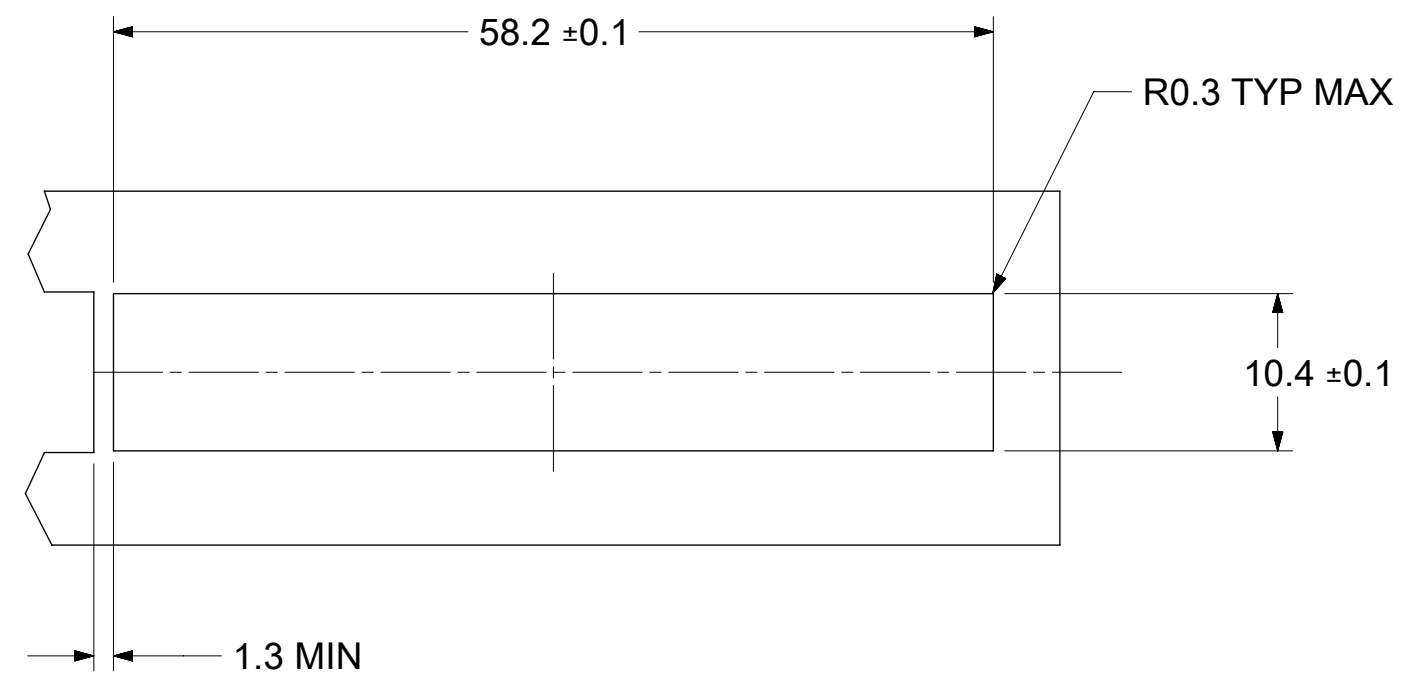
**NOTE:**  
SEE SHEET 2 FOR HOST CONNECTOR DETAIL

- NOTES:**
- PADS AND VIAS CONNECT TO CHASSIS GROUND (RECOMMENDED PADS TO BE 2.00mm SQUARE)
  - RECOMMENDED THRU HOLE PLATING INCLUDES HASL, OSP, OR IMMERSION (GOLD, SILVER, OR TIN)
  - CONNECTOR PAD LAYOUT PER SFP+ MSA WILL ACCOMMODATE MOLEX CONNECTOR SERIES 170382 OR EQUIVALENT
  - HOLE PATTERN REPEATS FOR EACH PORT, SPACING BETWEEN PORTS IS 14.25mm
  - MINIMUM PCB THICKNESS FOR BELLY TO BELLY USE 3.00mm.

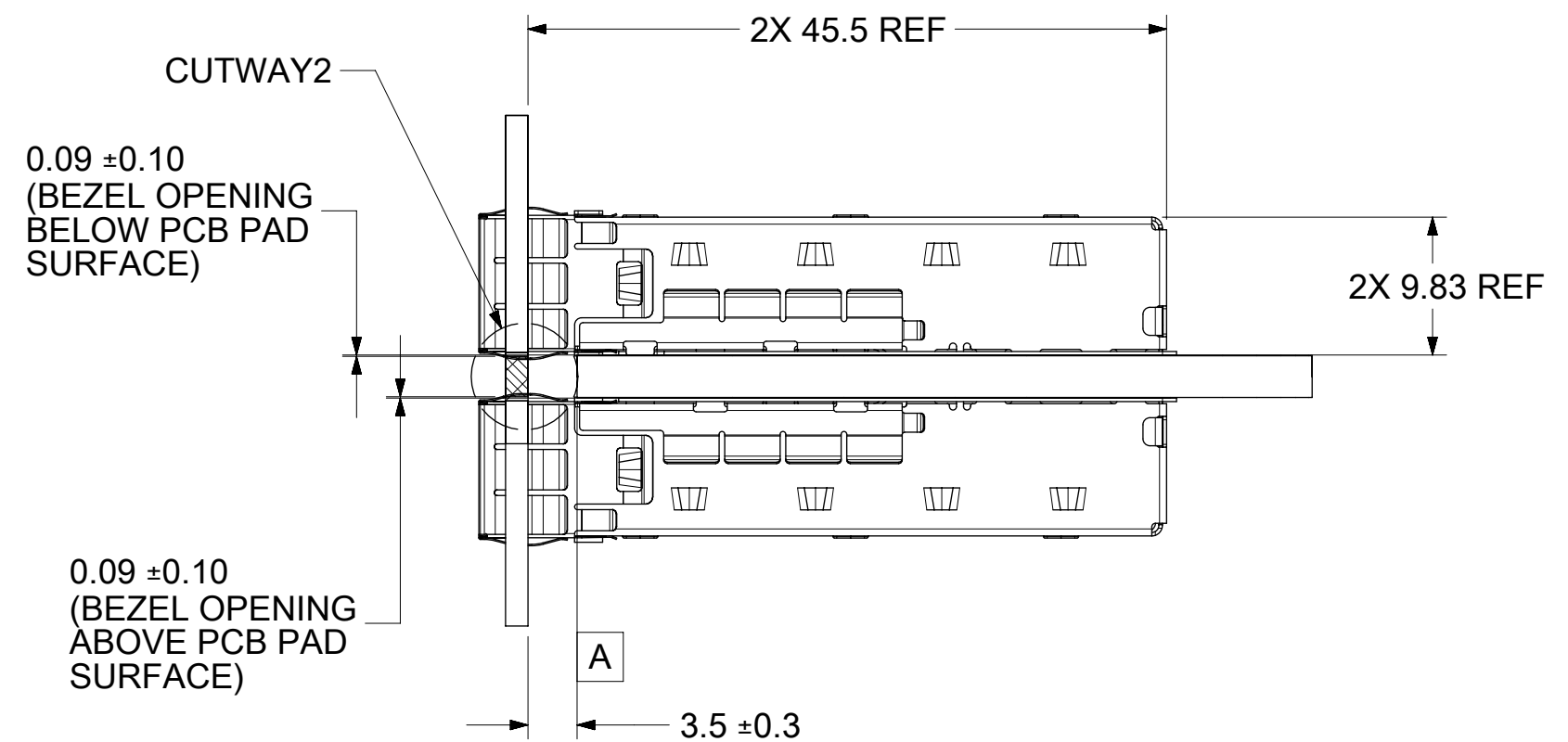
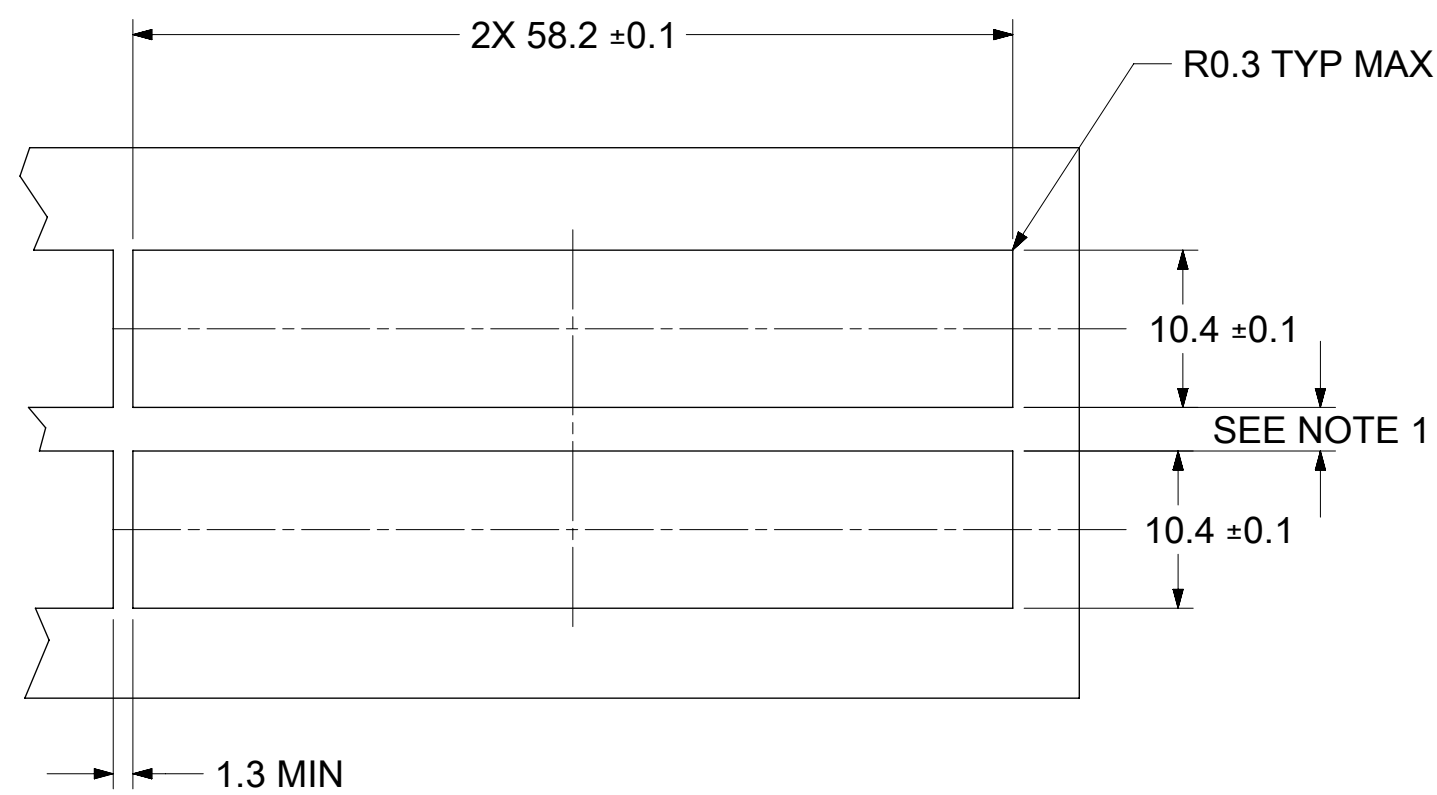
FUNCTIONAL SYMBOLS	THIS DRAWING CONTAINS INFORMATION THAT IS PROPRIETARY TO MOLEX ELECTRONIC TECHNOLOGIES, LLC AND SHOULD NOT BE USED WITHOUT WRITTEN PERMISSION		CURRENT REV DESC: SEE REVISION TABLE		<b>molex</b>
	DIMENSION UNITS	SCALE			
$\nabla_A = 0$	mm	3:1			ZSFP+ 1X4 SF CAGE ASSY'S PRESS FIT SUS SPRING FINGER TYPE, WITH UNDER BELLY GASKET
$\nabla_C = 0$	GENERAL TOLERANCES (UNLESS SPECIFIED)				PRODUCT CUSTOMER DRAWING
$\nabla_P = 0$	ANGULAR TOL $\pm 1.0^\circ$				
DIVISIONAL SYMBOLS	4 PLACES	$\pm$	EC NO: 707505	2022/04/27	DOCUMENT NUMBER
	3 PLACES	$\pm$	DRWN: ABHILT2	2022/05/20	
	2 PLACES	$\pm 0.15$	CHK'D: TKUMARKC	2022/05/20	DOC TYPE
	1 PLACE	$\pm 0.25$	APPR: SCHIEN	2022/05/20	DOC PART
0 PLACES	$\pm$	INITIAL REVISION:	2022/04/27	REVISION	A
DRAFT WHERE APPLICABLE MUST REMAIN WITHIN DIMENSIONS		THIRD ANGLE PROJECTION	DRAWING	SERIES	MATERIAL NUMBER
			C-SIZE	100114	1001140421
			CUSTOMER		GENERAL MARKET
					SHEET NUMBER
					3 OF 5

DOCUMENT STATUS	P1	RELEASE DATE	2022/05/20	08:36:29
-----------------	----	--------------	------------	----------

## BEZEL AND BOARD POSITION DIMENSIONS FOR SINGLE SIDE MOUNTING (SPRING FINGER)



## BEZEL AND BOARD POSITION DIMENSIONS FOR BELLY TO BELLY MOUNTING (SPRING FINGER)



**NOTE:**  
 1. PCB THICKNESS VARIATION MUST BE CONSIDERED WHEN DETERMINING BEZEL OPENING LOCATION.  
 2. CAGE LEG STANDOFF WILL PIERCE BELLY GASKET WHEN PROPERLY PRESSED INTO PCB.

FUNCTIONAL SYMBOLS	THIS DRAWING CONTAINS INFORMATION THAT IS PROPRIETARY TO MOLEX ELECTRONIC TECHNOLOGIES, LLC AND SHOULD NOT BE USED WITHOUT WRITTEN PERMISSION									
	DIMENSION UNITS	SCALE	CURRENT REV DESC: SEE REVISION TABLE							
$\frac{E}{A} = 0$	mm	2:1	<b>molex</b> ZSFP+ 1X4 SF CAGE ASSY'S PRESS FIT SUS SPRING FINGER TYPE, WITH UNDER BELLY GASKET							
$\frac{E}{C} = 0$	GENERAL TOLERANCES (UNLESS SPECIFIED)									
$\frac{E}{P} = 0$	ANGULAR TOL ± 1.0°		EC NO: 707505 DRWN: ABHILT2 2022/04/27 CHK'D: TKUMARKC 2022/05/20 APPR: SCHIEN 2022/05/20							
DIVISIONAL SYMBOLS	4 PLACES ±		PRODUCT CUSTOMER DRAWING							
	3 PLACES ±		DOCUMENT NUMBER							
	2 PLACES ± 0.15		1001148421							
	1 PLACE ± 0.25		PSD ASY A							
0 PLACES ±		INITIAL REVISION:								
DRAFT WHERE APPLICABLE MUST REMAIN WITHIN DIMENSIONS		THIRD ANGLE PROJECTION	DRAWING	SERIES	MATERIAL NUMBER	CUSTOMER	SHEET NUMBER			
			C-SIZE	100114	1001140421	GENERAL MARKET	4 OF 5			

