

# HC-STA-B10-HHFS-BLANK-EL-AL - Housing



1419903

<https://www.phoenixcontact.com/us/products/1419903>

Please be informed that the data shown in this PDF document is generated from our online catalog. Please find the complete data in the user documentation. Our general terms of use for downloads are valid.



Sleeve housing B10, for single locking latch, material: Die-cast aluminum, salt water resistant, variable, height: 72 mm, cable gland: none, Standard, Without thread opening for screw connection

## Product description

Sleeve housing, without screw thread

## Your advantages

- Good shielding in the event of electromagnetic interference

## Commercial data

Item number	1419903
Packing unit	1 pc
Minimum order quantity	1 pc
Sales key	BF56
Product key	BF7APB
Catalog page	Page 606 (C-2-2019)
GTIN	4055626201276
Weight per piece (including packing)	195.3 g
Weight per piece (excluding packing)	195.3 g
Customs tariff number	85389099
Country of origin	CN

## Technical data

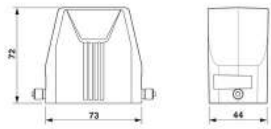
### Notes

General	for contact inserts HC-B10, BB18, DD42, M, K8/24, HV03
General	also available as a powder-coated or color version: 1372727 HC-STA-B10-HHFS-BLANK-EL/...

### Product properties

Type	B10
Product type	Housing with locking latch
Application	Standard
Housing type	Sleeve housing
Cable outlet	variable
Pg screw connection	none

### Dimensions

Dimensional drawing	
Width	44 mm
Height	72 mm
Length	73 mm

### Material specifications

Housing surface material	uncoated
Impact strength	IK08
Housing material	Die-cast aluminum, salt water resistant

### Mechanical properties

#### Mechanical data

Locking type	Pin
--------------	-----

### Environmental and real-life conditions

#### Ambient conditions

Degree of protection	IP66
	IP67
Degree of protection (NEMA)	4 (UL 50e)
	4X (UL 50e)
	12 (UL 50e)
Impact strength	IK08
Ambient temperature (operation)	-40 °C ... 125 °C

# HC-STA-B10-HHFS-BLANK-EL-AL - Housing

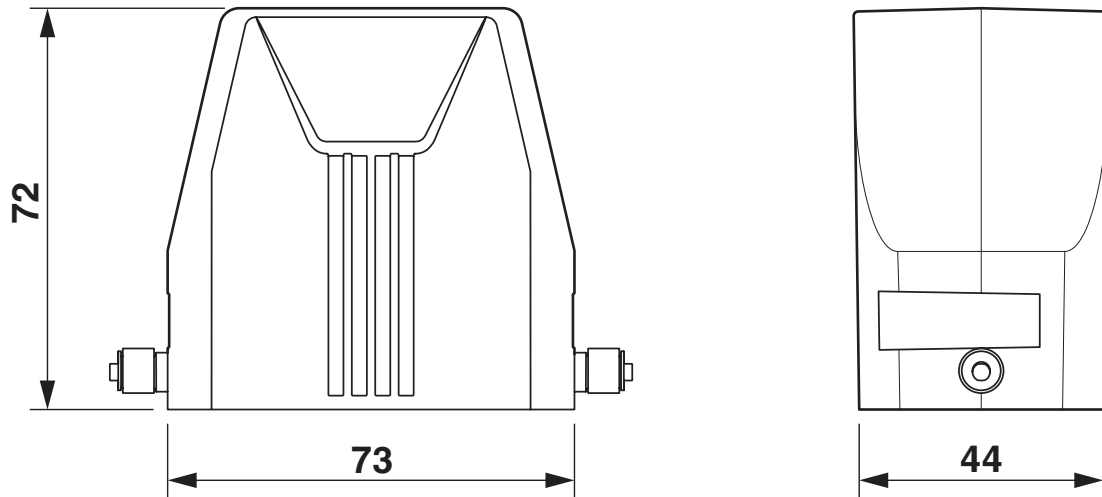
1419903

<https://www.phoenixcontact.com/us/products/1419903>



## Drawings

Dimensional drawing



Dimensional drawing

# HC-STA-B10-HHFS-BLANK-EL-AL - Housing



1419903

<https://www.phoenixcontact.com/us/products/1419903>

## Approvals

🔗 To download certificates, visit the product detail page: <https://www.phoenixcontact.com/us/products/1419903>

**DNV**

Approval ID: TAE000037S



**EAC**

Approval ID: RU C-DE.AI30.B.01102



**EAC**

Approval ID: RU C-DE.BL08.B.00511

# HC-STA-B10-HHFS-BLANK-EL-AL - Housing



1419903

<https://www.phoenixcontact.com/us/products/1419903>

## Classifications

### ECLASS

ECLASS-11.0	27440202
ECLASS-12.0	27440202
ECLASS-13.0	27440202

### ETIM

ETIM 8.0	EC000437
----------	----------

### UNSPSC

UNSPSC 21.0	31261500
-------------	----------

# HC-STA-B10-HHFS-BLANK-EL-AL - Housing



1419903

<https://www.phoenixcontact.com/us/products/1419903>

## Environmental product compliance

China RoHS	Environmentally friendly use period: unlimited = EFUP-e
	No hazardous substances above threshold values

# HC-STA-B10-HHFS-BLANK-EL-AL - Housing



1419903

<https://www.phoenixcontact.com/us/products/1419903>

## Accessories

### US-EMLP (20X9) CUS - Plastic label

0830085

<https://www.phoenixcontact.com/us/products/0830085>

Plastic label, can be ordered: by card, white, labeled according to customer specifications, mounting type: adhesive, lettering field size: 20 x 9 mm, Number of individual labels: 75



---

### HC-B10-HCWS-PLR-BK - Protective cover

1346528

<https://www.phoenixcontact.com/us/products/1346528>

Protective cover B10, with single locking latch, protective cover material: PC, height: 26.3 mm, seal: yes



# HC-STA-B10-HHFS-BLANK-EL-AL - Housing



1419903

<https://www.phoenixcontact.com/us/products/1419903>

## US-EMLP-HA (20X9) - Plastic label

0830989

<https://www.phoenixcontact.com/us/products/0830989>

Plastic label, Card, white, unlabeled, can be labeled with: BLUEMARK ID COLOR, BLUEMARK ID, THERMOMARK PRIME, THERMOMARK CARD 2.0, THERMOMARK CARD, mounting type: adhesive, lettering field size: 20 x 9 mm, Number of individual labels: 70



---

Phoenix Contact 2023 © - all rights reserved

<https://www.phoenixcontact.com>

Phoenix Contact USA  
586 Fulling Mill Road  
Middletown, PA 17057, United States  
(+717) 944-1300  
[info@phoenixcon.com](mailto:info@phoenixcon.com)