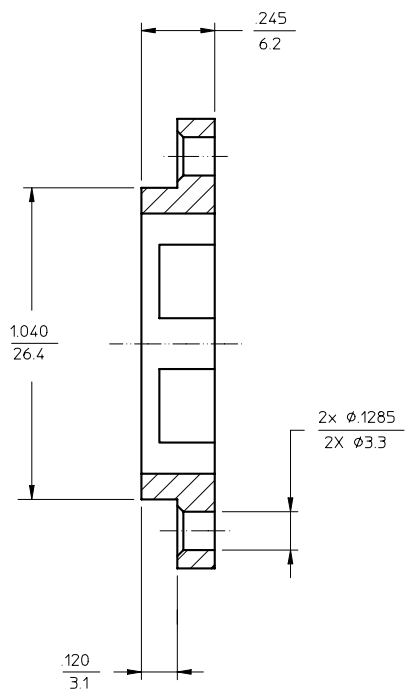
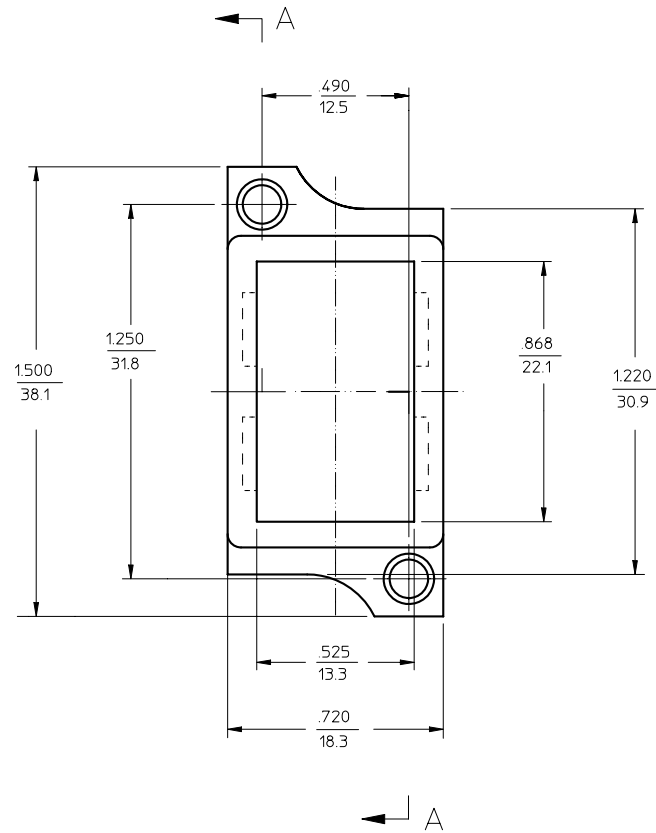


B

A



SECTION A-A

ALL DIMENSIONS ARE GIVEN IN $\frac{\text{INCHES}}{\text{mm}}$



Fiber Optic Interconnect Technologies, Inc. Des Plaines, Illinois

RESTRICTED RELEASE DRAWING MAY CHANGE WITHOUT CUSTOMER NOTIFICATION

TITLE:	PLATE (2 POSITION, END MOUNT)
Drawing No.	86800-6503 CD

Size	Scale	REV.
B	5:1	A
Sheet	1 of 1	

B

A