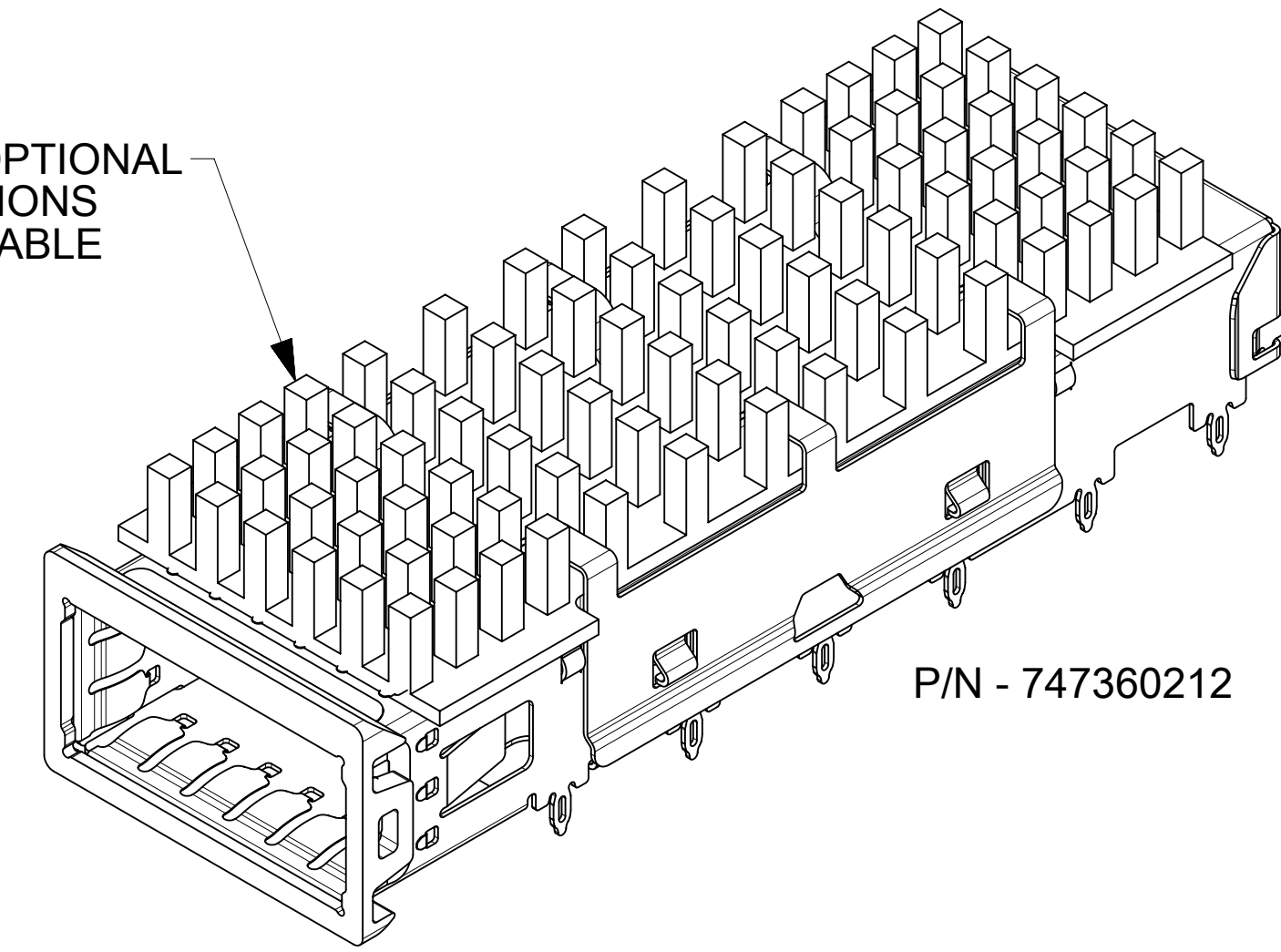
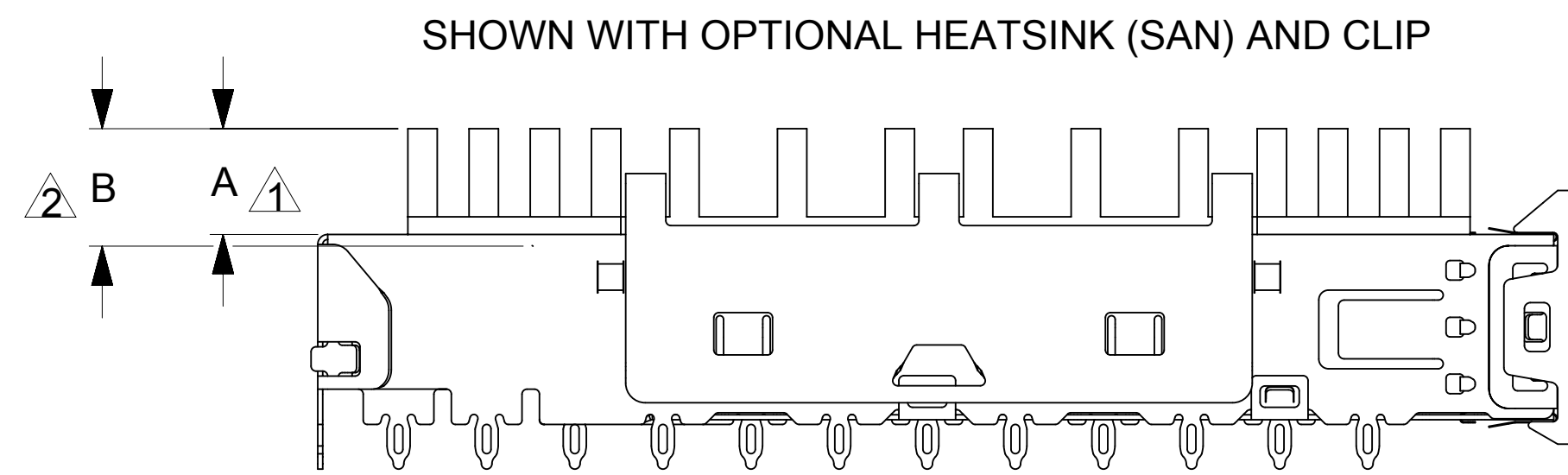
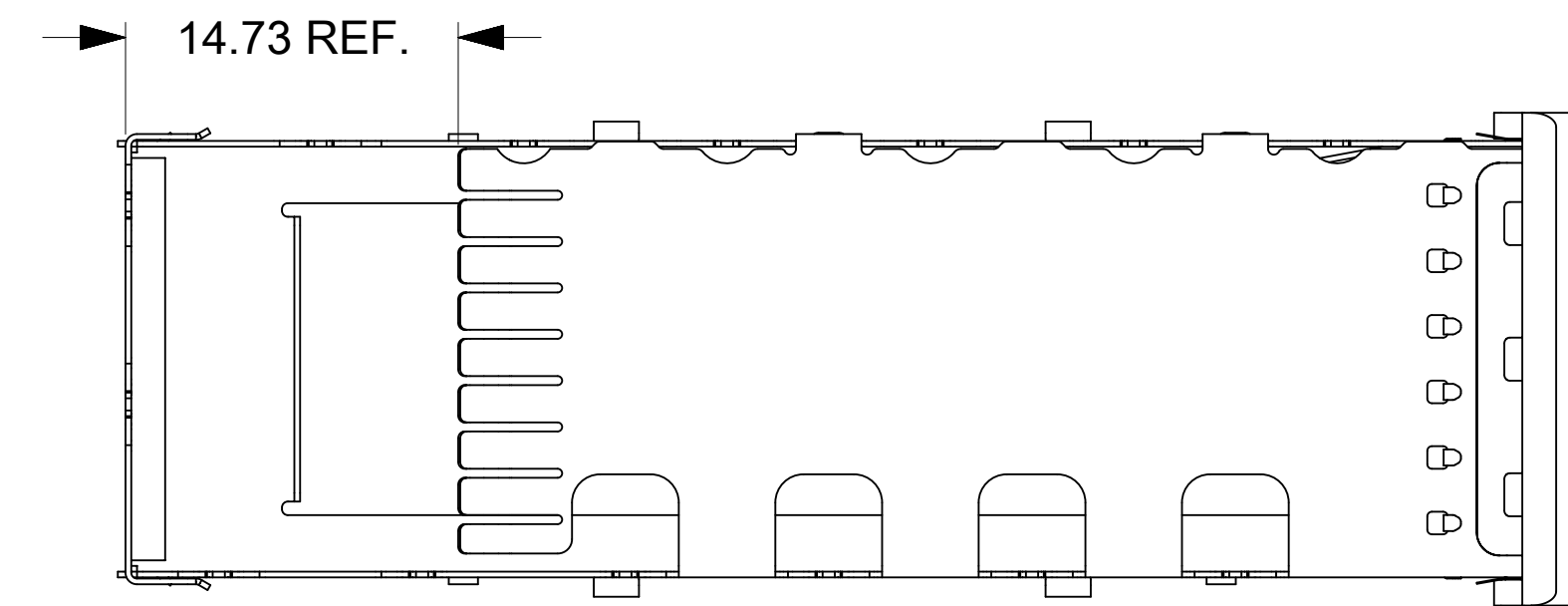
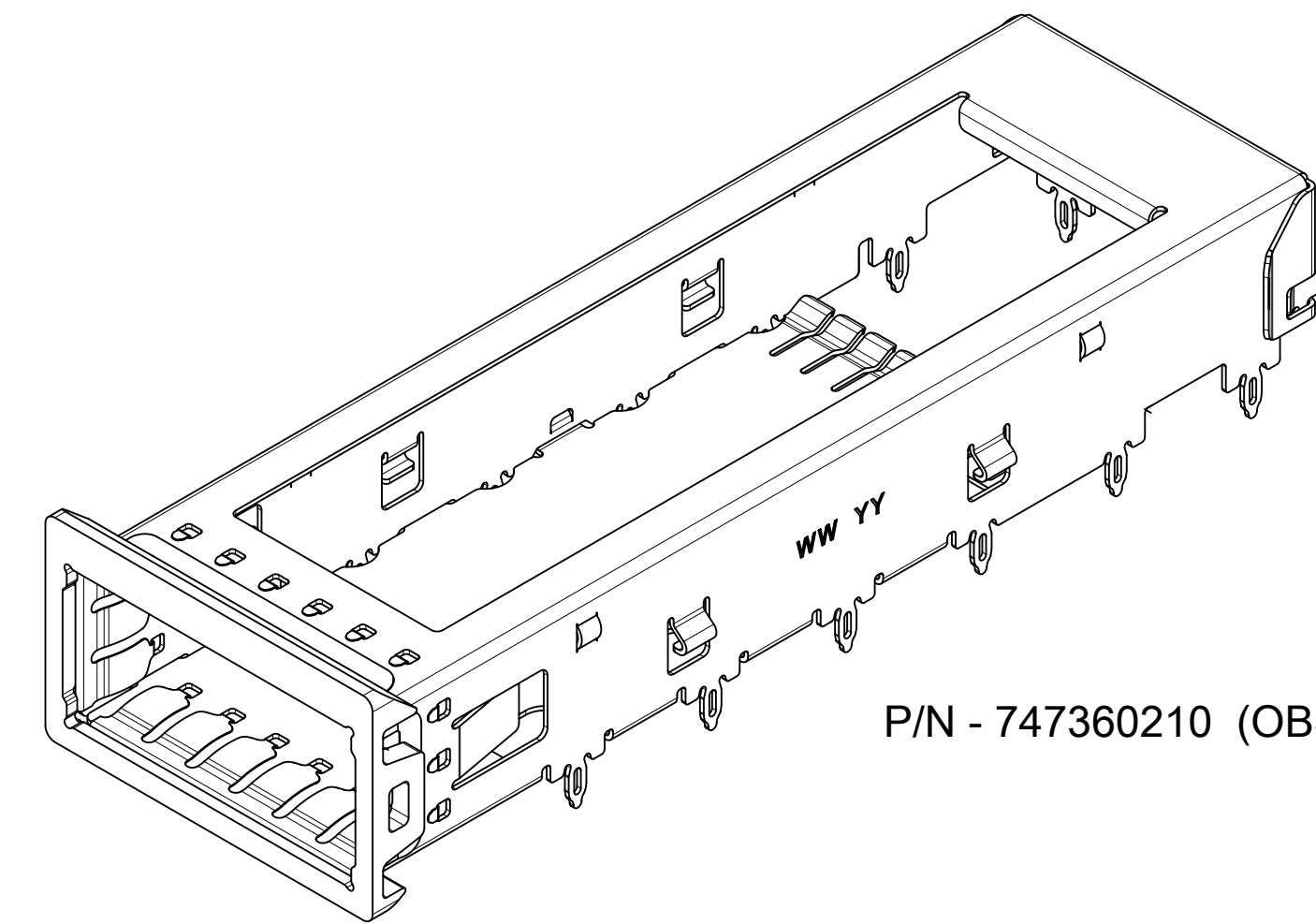
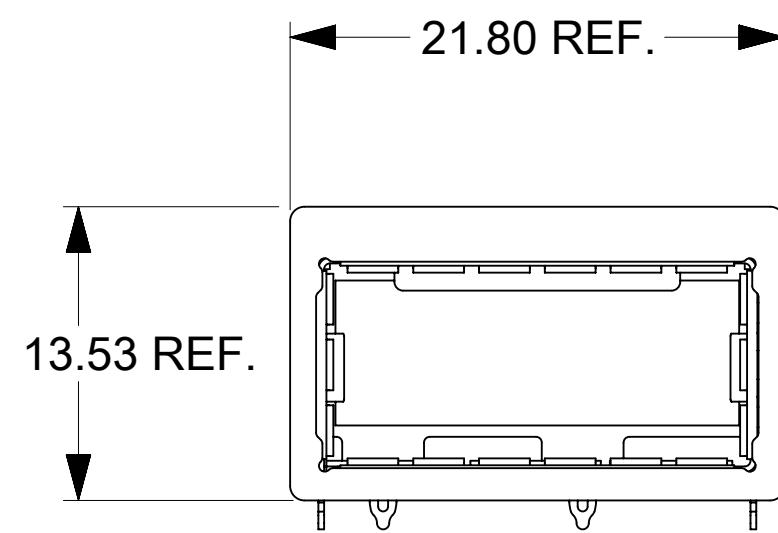
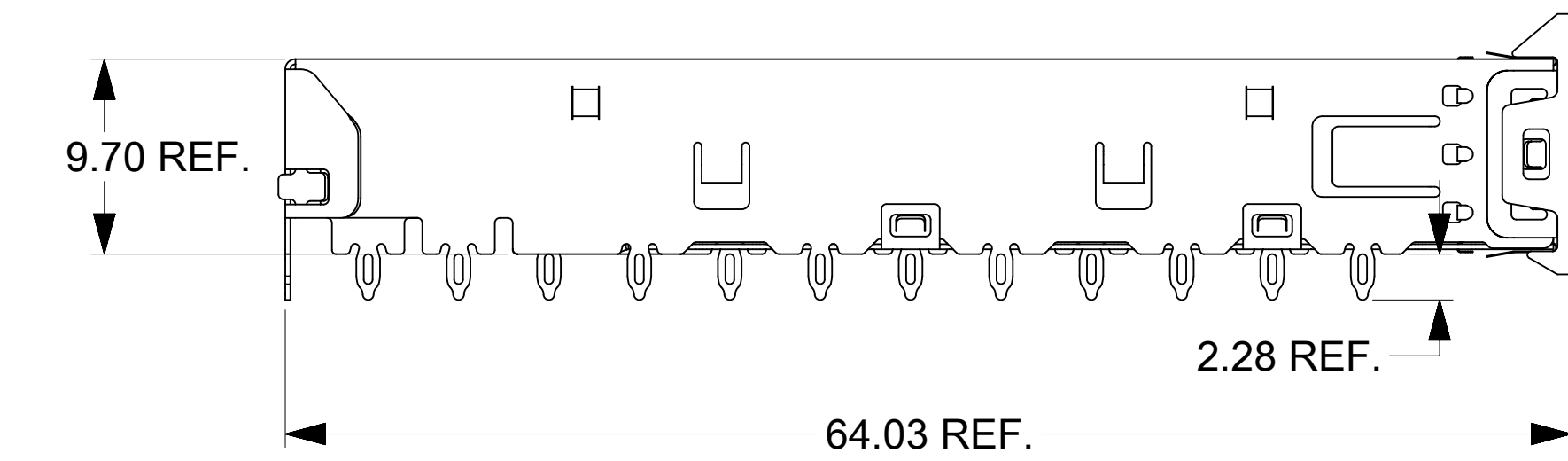


PARTIAL A
SCALE 3:1



HEATSINK SINK AND CLIP ARE OPTIONAL
SEE CHART FOR HEATSINK OPTIONS
CUSTOM HEATSINKS ARE AVAILABLE

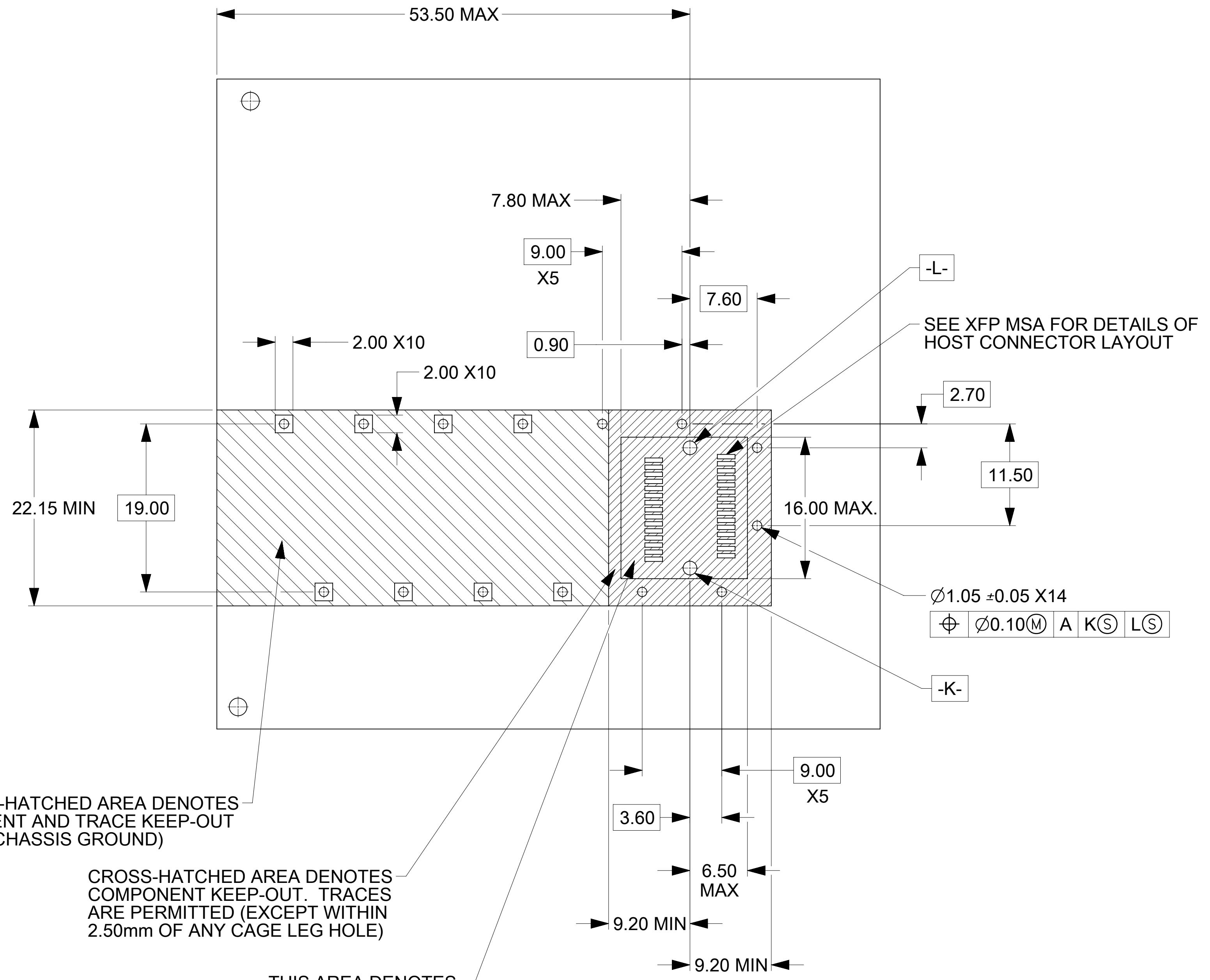


SHOWN WITH OPTIONAL HEATSINK (SAN) AND CLIP

- 1 MAXIMUM HEIGHT OF HEATSINK WITH MODULE INSERTED
- 2 OVERALL HEIGHT OF HEATSINK
- 3. OTHER HEATSINK DESIGNS ARE AVAILABLE INCLUDING CUSTOM DESIGNS

PART NUMBER FOR XFP CAGE ASSEMBLY & PARTS (W/OUT ELASTOMER EMI GASKET)					
P/N	DIM A	DIM B	DESCRIPTION	POWER LEVEL	THERMAL RESISTANCE @200 LFM
747360211	4.0	4.2	XFP CAGE WITH PCI HEATSINK	UP TO 1.5W	<18.0 C/W
747360212	6.3	6.5	XFP CAGE WITH SAN HEATSINK (SHOWN)	UP TO 2.5W	<11.5 C/W
747360213	13.3	13.5	XFP CAGE WITH TALL HEATSINK	UP TO 3.5W	<8.0 C/W
747360230	N/A	N/A	HEATSINK CLIP ONLY	N/A	N/A
747360240	N/A	N/A	PCI HEATSINK ONLY	UP TO 1.5W	<18.0 C/W
747360241	N/A	N/A	SAN HEATSINK ONLY	UP TO 2.5W	<11.5 C/W
747360242	N/A	N/A	TALL HEATSINK ONLY	UP TO 3.5W	<8.0 C/W

THIS DRAWING CONTAINS INFORMATION THAT IS PROPRIETARY TO MOLEX ELECTRONIC TECHNOLOGIES, LLC AND SHOULD NOT BE USED WITHOUT WRITTEN PERMISSION					
DIMENSION UNITS mm		SCALE 3:1		CURRENT REV DESC:	
GENERAL TOLERANCES (UNLESS SPECIFIED)			EC NO: 624461		
		MM		INCH	
4 PLACES	±	±	DRWN: AKUMAR19 2019/02/04		
3 PLACES	±	±	CHK'D: GGA 2019/10/17		
2 PLACES	±	0.1	APPR: GGA 2019/10/17		
1 PLACE	±	0.25	INITIAL REVISION:		
0 PLACES	±	±	DRWN: KLLOYD 2004/12/02		
ANGULAR TOL		± 1.0 °		APPR: RMAHMOOD 2010/11/09	
DRAFT WHERE APPLICABLE MUST REMAIN WITHIN DIMENSIONS		THIRD ANGLE PROJECTION		DRAWING SERIES	
		D-SIZE		74736	
DOCUMENT NUMBER			DOC TYPE		
SD-74736-210			PSD		
DOC PART			DOC PART		
001			001		
REVISION			REVISION		
C			C		
MATERIAL NUMBER		CUSTOMER		SHEET NUMBER	
SEE TABLE		GENERAL MARKET		1 OF 2	

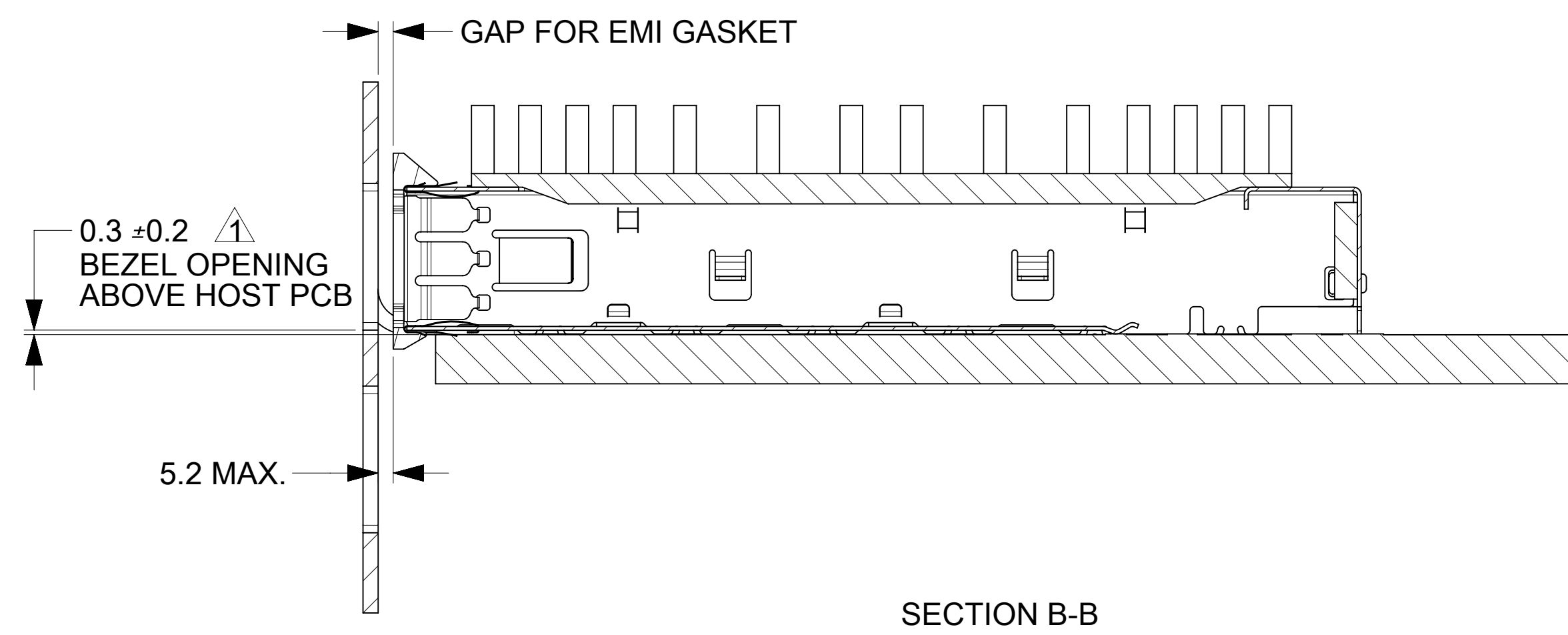
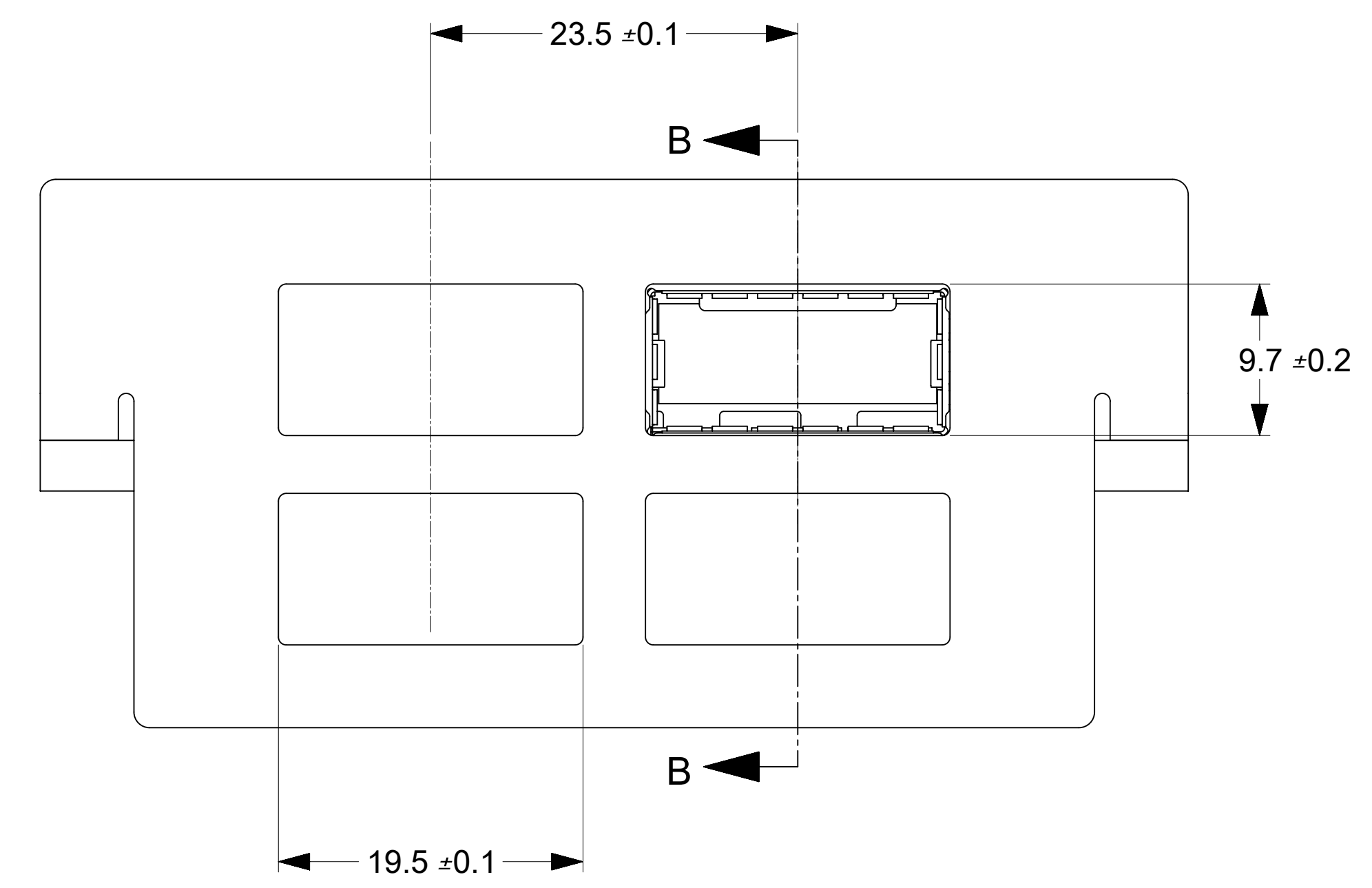


CROSSED-HATCHED AREA DENOTES COMPONENT AND TRACE KEEP-OUT (EXCEPT CHASSIS GROUND)

CROSS-HATCHED AREA DENOTES COMPONENT KEEP-OUT. TRACES ARE PERMITTED (EXCEPT WITHIN 2.50mm OF ANY CAGE LEG HOLE)

THIS AREA DENOTES COMPONENT KEEP-OUT (TRACES ALLOWED)

\triangle FOR PCI APPLICATIONS RECOMMENDED DIMENSION IS 0.4 ± 0.1



THIS DRAWING CONTAINS INFORMATION THAT IS PROPRIETARY TO MOLEX ELECTRONIC TECHNOLOGIES, LLC AND SHOULD NOT BE USED WITHOUT WRITTEN PERMISSION

DIMENSION UNITS	SCALE	CURRENT REV DESC:	
mm	3:1		
GENERAL TOLERANCES (UNLESS SPECIFIED)		EC NO: 624461	
	MM	INCH	
4 PLACES	±	±	DRWN: AKUMAR19 2019/02/04
3 PLACES	±	±	CHK'D: GGA 2019/10/17
2 PLACES	±	0.1	APPR: GGA 2019/10/17
1 PLACE	±	0.25	INITIAL REVISION:
0 PLACES	±	±	DRWN: KLLOYD 2004/12/02
ANGULAR TOL		±	1.0 °
DRAFT WHERE APPLICABLE MUST REMAIN WITHIN DIMENSIONS		THIRD ANGLE PROJECTION	DRAWING SERIES
			D-SIZE 74736

molex			
XFP CAGE ASSEMBLY WITHOUT ELASTOMER EMI GASKET			
PRODUCT CUSTOMER DRAWING			
DOCUMENT NUMBER	DOC TYPE	DOC PART	REVISION
SD-74736-210	PSD	001	C
MATERIAL NUMBER	CUSTOMER	SHEET NUMBER	
SEE TABLE	GENERAL MARKET	2 OF 2	

DOCUMENT STATUS	P1	RELEASE DATE	2019/10/17 02:39:02
-----------------	----	--------------	---------------------