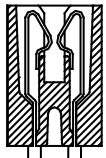


.050" [1.27mm] CONTACT CENTERS .610" INSULATOR HEIGHT

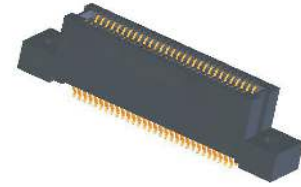
READOUT



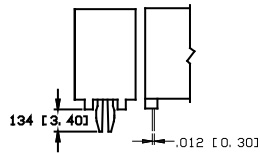
DUAL (D)

FEATURES

- * Accommodates .062 ±.008" PC board
- * PPS or PA9T insulator
- * Molded-in key available
- * High reliability/high cycle hairpin bellows contact
- * 1 amp current rating
- * 150 grams normal force minimum



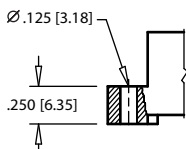
MOUNTING STYLE



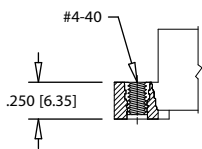
BOARD LOCK (R)



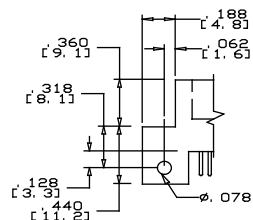
NO MOUNTING EARS (N)



FLUSH MOUNTING (D)



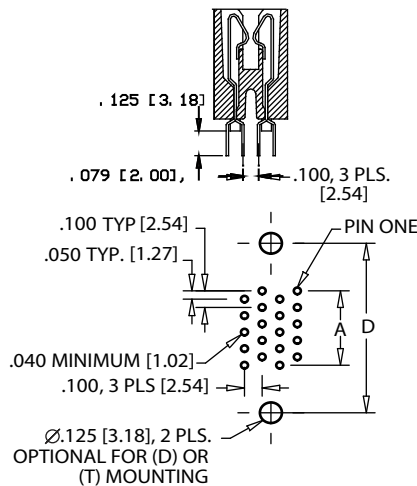
FLUSH MOUNTING WITH THREADED INSERT (T)



STRADDLE MOUNT (Q)

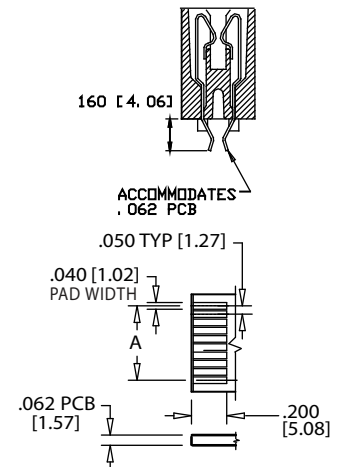
TERMINATION TYPE

STAGGERED DIP SOLDER (HH)



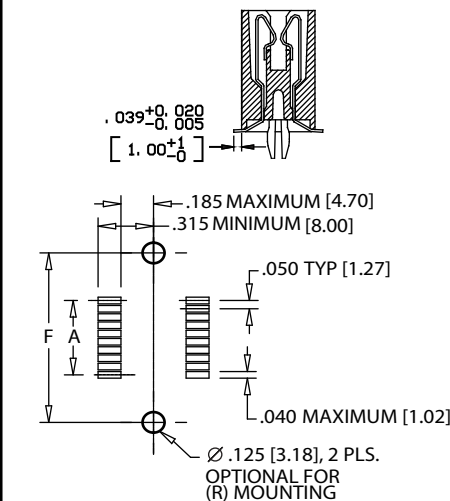
PC BOARD LAYOUT, CONNECTOR SIDE

CARD EXTENDER (HR)



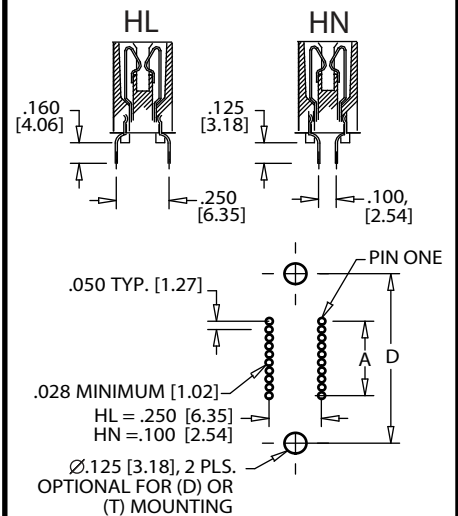
PC BOARD LAYOUT, SOLDER END

SURFACE MOUNT (HF)



PC BOARD LAYOUT, CONNECTOR SIDE

DIP SOLDER (HL, HN)



PC BOARD LAYOUT, CONNECTOR SIDE

.050" [1.27mm] CONTACT CENTERS, .610" INSULATOR HEIGHT

PART NUMBER CODING*

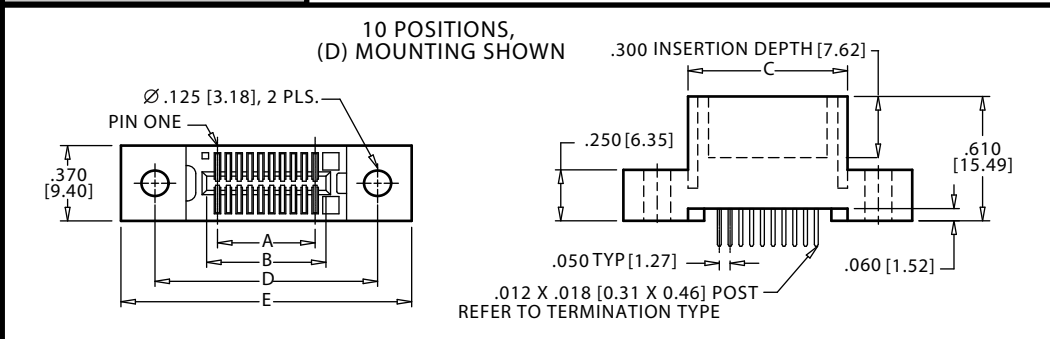
<p>MATERIALS (Insulator/Contact)</p> <p>R = PPS/Phosphor Bronze A = PPS/Beryllium Copper G = PA9T/Phosphor Bronze J = PA9T/Beryllium Copper</p> <p>Consult Factory for Other Materials</p> <p>CONTACT FINISH (All Platings have .000050" NICKEL Underplate)</p> <table border="0" style="width: 100%;"> <tr> <td style="width: 50%;">Contact Surface</td> <td style="width: 50%;">Termination</td> </tr> <tr> <td>Z = .000010" Gold</td> <td>.000100" Tin/Lead</td> </tr> <tr> <td>X = .000030" Gold</td> <td>.000100" Tin/Lead</td> </tr> <tr> <td>B = .000010" Gold</td> <td>.000100" Pure Tin, Matte</td> </tr> <tr> <td>C = .000030" Gold</td> <td>.000100" Pure Tin, Matte</td> </tr> </table> <p>CONTACT CENTERS</p> <p>B = .050" [1.27 mm]</p> <p>NUMBER OF CONTACT POSITIONS</p> <p>5 thru 110</p>	Contact Surface	Termination	Z = .000010" Gold	.000100" Tin/Lead	X = .000030" Gold	.000100" Tin/Lead	B = .000010" Gold	.000100" Pure Tin, Matte	C = .000030" Gold	.000100" Pure Tin, Matte	<p style="text-align: center;">R Z B 40 D HH D -SXXX</p> <p>MODIFICATIONS (Consult Factory) Omit For Standard</p> <p>MOUNTING STYLE (Opposite Page) D = Flush Mounting N = No Mounting T = Flush Mounting With Threaded Insert Q = Straddle Mount R = Metal Boardlocks</p> <p>TERMINATION TYPE (Opposite Page) HH = Staggered Dip Solder HR = Card Extender HF = Surface Mount HL = .250" [6.35mm] x.160" [4.06mm] Dip Solder HN = .100" [2.54mm] x.125" [3.18mm] Dip Solder</p> <p>(REPLACES TERMINATIONS: CH, CR, CF, CL, CN)</p>
Contact Surface	Termination										
Z = .000010" Gold	.000100" Tin/Lead										
X = .000030" Gold	.000100" Tin/Lead										
B = .000010" Gold	.000100" Pure Tin, Matte										
C = .000030" Gold	.000100" Pure Tin, Matte										

DIMENSIONS

█ = Lead Free Plating
RoHS COMPLIANT

READOUT (Opposite Page)
D = Dual

Dimensions in [] are in millimeters, all others in inches.



POSITIONS/ CONTACTS	INCHES						MILLIMETERS					
	A ±.005	B ±.005	C ±.015	D ±.010	E ±.020	F ±.010	A ±0.13	B ±0.13	C ±0.38	D ±0.25	E ±0.51	F ±0.25
5/10	0.200	0.300	0.490	0.776	1.090	.350	5.08	7.62	12.45	19.71	27.69	8.890
6/12	0.250	0.350	0.540	0.826	1.140	.400	6.35	8.89	13.72	20.98	28.96	10.160
9/18	0.400	0.500	0.690	0.976	1.290	.550	10.16	12.70	17.53	24.79	32.77	13.970
10/20	0.450	0.550	0.740	1.026	1.340	.600	11.43	13.97	18.80	26.06	34.04	15.240
13/26	0.600	0.700	0.890	1.176	1.490	.750	15.24	17.78	22.61	29.87	37.85	19.050
14/28	0.650	0.750	0.940	1.226	1.540	.800	16.51	19.05	23.88	31.14	39.12	20.320
15/30	0.700	0.800	0.990	1.276	1.590	.850	17.78	20.32	25.15	32.41	40.39	21.590
20/40	0.950	1.050	1.240	1.526	1.840	1.100	24.13	26.67	31.50	38.76	46.74	27.940
22/44	1.050	1.150	1.340	1.626	1.940	1.200	26.67	29.21	34.04	41.30	49.28	30.480
25/50	1.200	1.300	1.490	1.776	2.090	1.350	30.48	33.02	37.85	45.11	53.09	34.290
30/60	1.450	1.550	1.740	2.026	2.340	1.600	36.83	39.37	44.20	51.46	59.44	40.640
34/68	1.650	1.750	1.940	2.226	2.540	1.800	41.91	44.45	49.28	56.54	64.52	45.720
35/70	1.700	1.800	1.990	2.276	2.590	1.850	43.18	45.72	50.55	57.81	65.79	46.990
40/80	1.950	2.050	2.240	2.526	2.840	2.100	49.53	52.07	56.90	64.16	72.14	53.340
45/90	2.200	2.300	2.490	2.776	3.090	2.350	55.88	58.42	63.25	70.51	78.49	59.690
50/100	2.450	2.550	2.740	3.026	3.340	2.600	62.23	64.77	69.60	76.86	84.84	66.040
55/110	2.700	2.800	2.990	3.276	3.590	2.850	68.58	71.12	75.95	83.21	91.19	72.390
60/120	2.950	3.050	3.240	3.526	3.840	3.100	74.93	77.47	82.30	89.56	97.54	78.740
64/128	3.150	3.250	3.440	3.726	4.040	3.300	80.01	82.55	87.38	94.64	102.62	83.820
65/130	3.200	3.300	3.490	3.776	4.090	3.350	81.28	83.82	88.65	95.91	103.89	85.090
66/132	3.250	3.350	3.540	3.826	4.140	3.400	82.55	85.09	89.92	97.18	105.16	86.360
70/140	3.450	3.550	3.740	4.026	4.340	3.600	87.63	90.17	95.00	102.26	110.24	91.440
75/150	3.700	3.800	3.990	4.276	4.590	3.850	93.98	96.52	101.35	108.61	116.59	97.790
80/160	3.950	4.050	4.240	4.526	4.840	4.100	100.33	102.87	107.70	114.96	122.94	104.140
85/170	4.200	4.300	4.490	4.776	5.090	4.350	106.68	109.22	114.05	121.31	129.29	110.490
90/180	4.450	4.550	4.740	5.026	5.340	4.600	113.03	115.57	120.40	127.66	135.64	116.840
95/190	4.700	4.800	4.990	5.276	5.590	4.850	119.38	121.92	126.75	134.01	141.99	123.190
100/200	4.950	5.050	5.240	5.526	5.840	5.100	125.73	128.27	133.10	140.36	148.34	129.540
105/210	5.200	5.300	5.490	5.776	6.090	5.350	132.08	134.62	139.45	146.71	154.69	135.890
108/216	5.350	5.450	5.640	5.926	6.240	5.500	135.89	138.43	143.26	150.52	158.50	139.700
110/220	5.450	5.550	5.740	6.026	6.340	5.600	138.43	140.97	145.08	153.06	161.06	142.240
120/240	5.950	6.050	6.240	'N' MOUNTING ONLY	6.100		151.13	153.67	158.50			154.940

* For complete part number add termination type and mounting style from Part Number Coding (e.g. RZB40DHHDD).