



OEJ12SC0512I

1.5 Watt DC/DC Power Supply



FEATURES

- Wide input 4:1
- Low noise
- Tight regulation $\pm 0.5\%$ MAX
- High Isolation Voltage

*Image for marketing purposes only-unit may differ



		UNIT	OEJ12SC0512I
INPUT	Nom Voltage (Range)	V	12VDC 4.5~16 Vdc
	Current Typ.	mA	28mA Typ At no load
	Start-up Time	ms	30 MAX

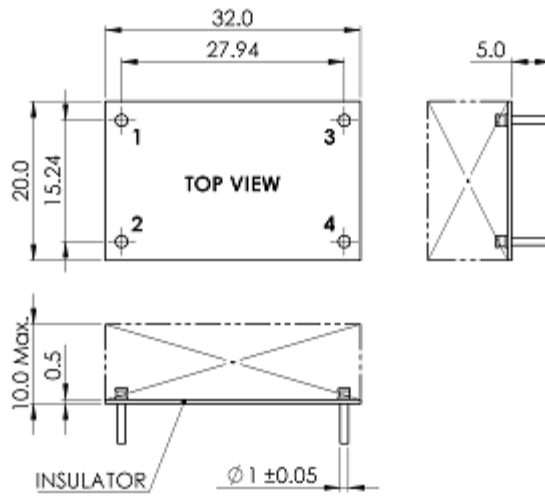
OEJ12SC0512I			
OUTPUT	Nominal Voltage	VDC	12 VDC
	OUTPUT VDC ACCURACY	%	2%
	Current	mA	130
	Total Pwr	W	1.5
	Efficiency	%	83 TYP
	Line Regulation	%	$\pm 0.5\%$ MAX
	Load Regulation	%	$\pm 0.5\%$ MAX
	Startup Time	ms	30 MAX
	Ripple Noise	mVp-p	100mVp-p MAX
	Temp Coefficient		0.03%/°C MAX
	Short circuit protect	Type	Continuous/ Auto-recovery
	Cooling		Convection
			@11.76~12.24 @Vin=4.5~16
			@Vin=12Vdc
		At LL TO HL, Full Load	
		At 25%FL TO 100%FL	
		@ 20MHz Bandwidth	





ISOLATION	Voltage	1500Vdc for 1 minute	
	Resistance	Min. 100 MΩ @ 500 Vdc	
	Operating temp	-20°C ~ +71°C	
Environment	Storage	-20°C ~ +85°C	
	Vibration	Mil-STD 202G	
	Humidity	90 %	
Dimension	WxL/weight	mm/g	32x20/4.5g

DIMENSIONS AND PINOUT



Unit : mm
Tolerance : XX.X±0.5 , XX.XX±0.25

PIN Assignment

PIN	1	2	3	4
FUNCTION	+Vin	-Vin	+Vout	-Vout

