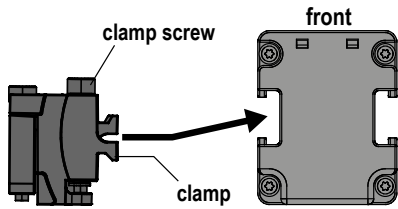


EZ-SCREEN LS Side Brackets

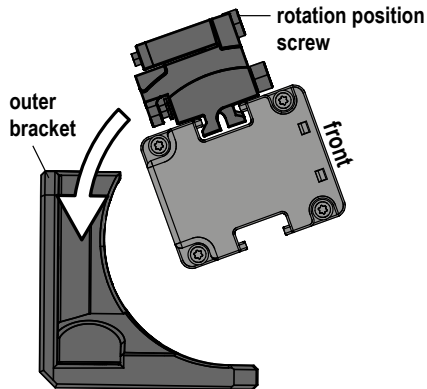
Supplement

Guide to mounting the EZS LS side brackets. Refer to the EZ-SCREEN LS installation manual (p/n [179480](#)) for complete mounting, alignment, and installation instructions, including dimensional information.

- 1** Adjust clamp screw to loosen or tighten clamp.



- 2** Slide inner bracket assembly into outer bracket groove.



(Depending on your configuration, it may be helpful to mount the outer bracket to the mount surface first before Step 2 process)

- 3** With the light screen aligned, tighten rotation position screw to complete installation.

