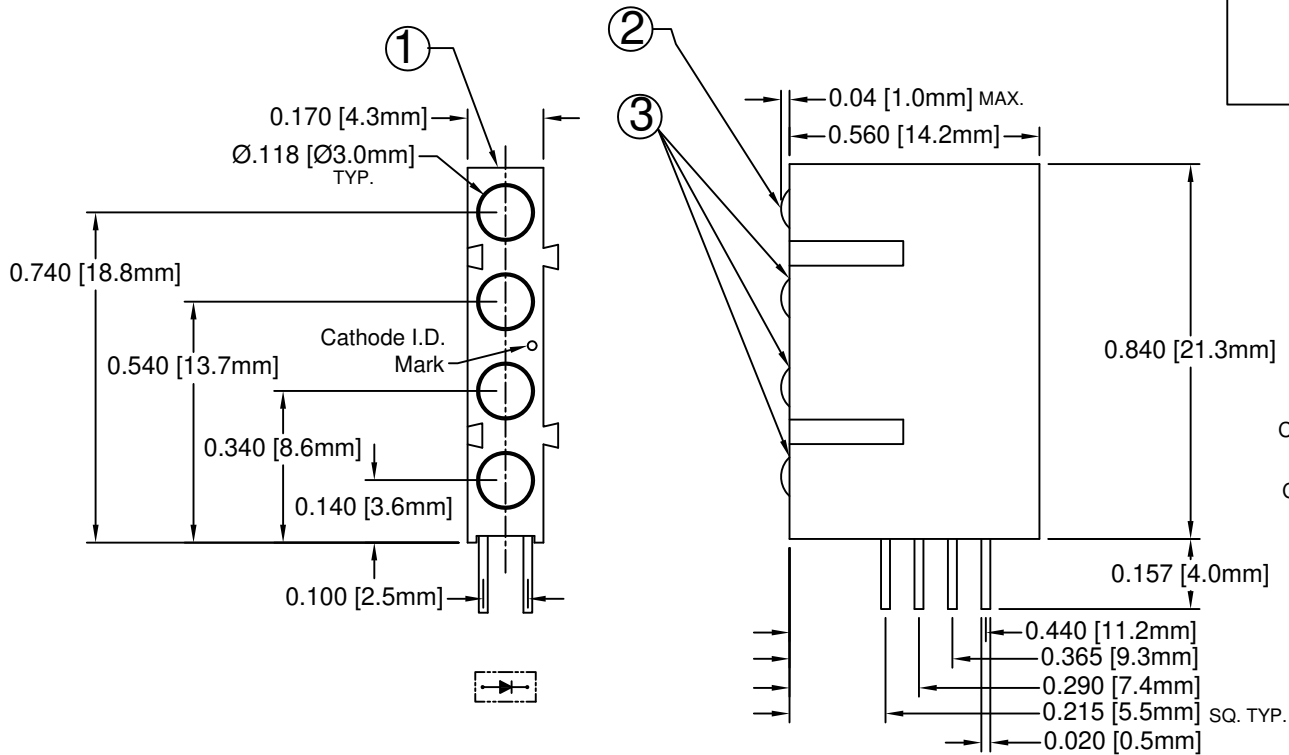
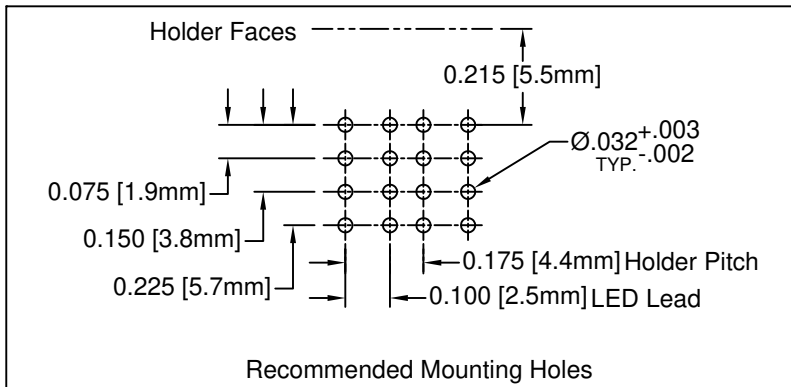
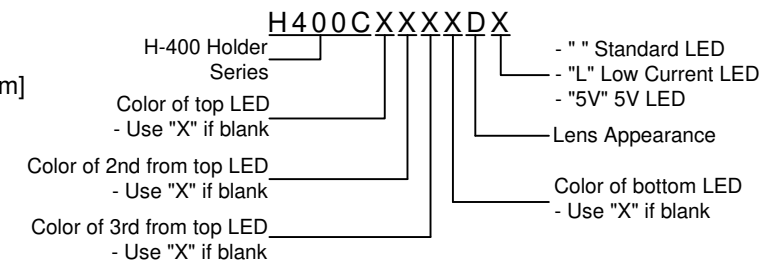


ITEM	Q'TY	PART NUMBER	PART DESCRIPTION
1	1	H-400C	T-1 (3mm) Quad-Level LED Holder, 90° Mount, Interlocking
2	1	3XX-LL	T-1 (3mm) N-Flange LED, Long Leads
3	3	3XX-S	T-1 (3mm) N-Flange Shouldered LED, See Page 2

REV.	DESCRIPTION	DATE	APPROVED
E	Updated to Previous Protrusion	04/10/08	M. C.
F	Added P/N Designation	09/30/08	M. C.
G	Added H400CAD Specs	04/13/09	T. Y.
H	Updated LED Protrusion Dimension	08/11/11	T. Y.
J	Engineering Update w/o Changes	08/04/16	J. C.



NOTE: P/N DESIGNATION



-If LEDs are the same, use e.g. H400CGD
All Green Diffused LEDs


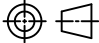
ABSOLUTE MAXIMUM RATINGS (Ta=25° C)

REVERSE VOLTAGE	5V
REVERSE CURRENT	100uA
OPERATING TEMPERATURE RANGE	-25° C - 85° C
STORAGE TEMPERATURE	-30° C - 100° C
LEAD SOLDERING TEMPERATURE(1/16" FROM BODY)	260° C FOR 5 SECONDS

STANDARD TOLERANCE (UNLESS OTHERWISE SPECIFIED)		 4 THOMAS, IRVINE, CA. 92618 TEL: (949) 951-8808 FAX: (949) 951-3974	
DECIMALS	ANGULAR		
.X ± .1	X° ± 1°		
.XX ± .02		 TITLE: T-1 (3MM) INTERLOCKING 90° QUAD-LEVEL LED ASSY	
.XXX ± .010			PART NO: H400CXX
DESIGNED: T. Yin	DATE: 03/08/04	REVISION: J	
CHECKED: D. Green	DATE: 03/08/04	CAGE CODE : 32559 SHEET # 1 OF 2	
CAD GENERATED DOCUMENT. DO NOT MEASURE DRAWING.			

REV.	DESCRIPTION	DATE	APPROVED
	SEE SHEET #1		

LED Assy. No.	Peak Wave Length λ_p (nm)	Emitted Color	Lens Appearance	Electro-Optical Data				Viewing Angle $2\theta \frac{1}{2}$ (Deg)	LED P/N
				If (mA)	Vf (V)		Iv (mcd)		
				TYP	TYP	MAX	TYP		
STANDARD				Data @ 20m A					
H400CAD	605	AMBER	DIFFUSED	20	2.0	2.8	25	40	3AD-S
H400CBWD	430	BLUE	DIFFUSED	20	4.0	4.5	10	40	3BWD-S
H400CGD	568	GREEN	DIFFUSED	20	2.1	2.8	25	40	3GD-S
H400CYD	590	YELLOW	DIFFUSED	20	2.0	2.8	20	40	3YD-S
H400CHD	625	HE RED	DIFFUSED	20	2.0	2.8	30	40	3HD-S
H400CRD	700	RED	DIFFUSED	20	2.1	2.8	2	40	3RD-S
H400CSRD	645	SUPER RED	DIFFUSED	20	1.7	2.4	40	40	3SRD-S
LOW CURRENT				Data @ 2m A					
H400CGDL	568	GREEN	DIFFUSED	2	2.1	2.6	2	40	3GDL-S
H400CYDL	590	YELLOW	DIFFUSED	2	2.0	2.6	2	40	3YDL-S
H400CHDL	625	HE RED	DIFFUSED	2	2.0	2.6	3	40	3HDL-S
5 VOLT				Data @ 5V					
H400CGD5V	568	GREEN	DIFFUSED	8	-	5.0	25	40	3GD5V-S
H400CYD5V	590	YELLOW	DIFFUSED	8	-	5.0	20	40	3YD5V-S
H400CHD5V	625	HE RED	DIFFUSED	8	-	5.0	30	40	3HD5V-S

STANDARD TOLERANCE (UNLESS OTHERWISE SPECIFIED) $\pm 10\%$ ALL VALUES ANGULAR		 BIVAR [®] 4 THOMAS, IRVINE, CA. 92618 TEL: (949) 951-8808 FAX: (949) 951-3974	
			
DESIGNED: T. Yin	DATE: 03/08/04	TITLE: T-1 (3MM) INTERLOCKING 90° QUAD-LEVEL LED ASSY	
CHECKED: D. Green	DATE: 03/08/04	PART NO: H400CXX	REVISION: J
		CAGE CODE : 32559	SHEET # 2 OF 2
CAD GENERATED DOCUMENT. DO NOT MEASURE DRAWING.			