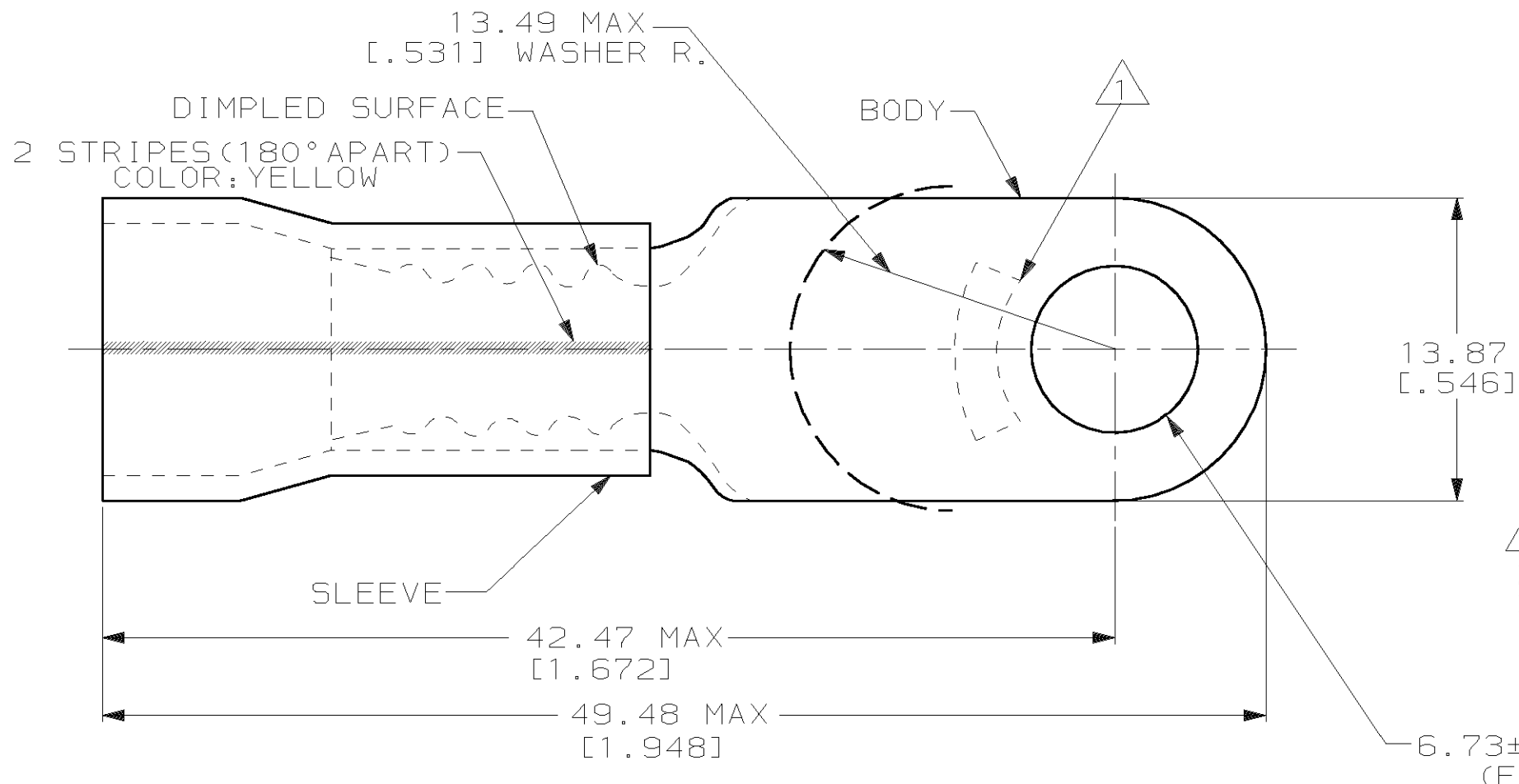


THIS DRAWING IS UNPUBLISHED. RELEASED FOR PUBLICATION, 19 .  
 © COPYRIGHT 19 BY AMP INCORPORATED. ALL INTERNATIONAL RIGHTS RESERVED.

LOC	DIST	P	F	REVISIONS			DATE	APPD
G	14			ZONE	LTR	DESCRIPTION		
					F	REV PER 0G3A-0363-01	10JUL01	JR/TM



**AMP**  
WIRE RANGE

4 AWG  
STRANDED

**METRIC**

DIMENSIONS LISTED IN mm [ INCHES ]

NOTE:

1. STAMP AMP 4\* LOCATE APPROX AS SHOWN
2. TONGUE MATERIAL THK 1.22±0.08 [.048±.003]
3. WIRE INSULATION DIA 13.08 [.515] MAX

6.73±0.13 [.265±.005] DIA (FOR 1/4 STUD)

<b>AMP INCORPORATED CUSTOMER SERVICE SYSTEMS</b>		MAX RECOMMENDED OPERATING TEMPERATURE: 150°c	DO NOT SCALE PRINT. UNLESS SPECIFIED DIMENSIONS IN mm [INCHES]	DR 10-7-93 S.S. GOULDEN	100	LOOSE PC	53980-1
FOR ADDITIONAL PRODUCT INFORMATION OR COPIES OF DRAWINGS AND TECHNICAL DOCUMENTS	PRODUCT INFORMATION CENTER 1-800-522-6752	VOLTAGE RATING: 600 V MAX	TOLERANCES ON: 2 PLC DEC ± 0.20 [.008] 3 PLC DEC ± - ANGLES ± -	CHK 10-7-93 R. HERSEY	QTY	PACKAGE TYPE	PART NO
FOR APPLICATION TOOLING INFORMATION	TOOLING ASSISTANCE CENTER 1-800-722-1111	CIRCULAR MIL AREA: 16.77-26.65mm <sup>2</sup> [33, 100-52, 600] STRANDED	MATERIAL COPPER PER ASTM B-152 PVF <sup>2</sup> , COLOR:NATURAL	APPD 10-7-93 B. BARE	NAME <b>AMP</b> AMP Incorporated Harrisburg, PA 17105-3608		
FOR ORDER ENTRY	1-800-526-5142	THIS DRAWING IS A CONTROLLED DOCUMENT FOR AMP INCORPORATED. IT IS SUBJECT TO CHANGE AND THE CONTROLLING ENGINEERING ORGANIZATION SHOULD BE CONTACTED FOR THE LATEST REVISION.	FINISH TIN/LEAD (93-7) PLATE ASTM B545	APPD 10-7-93 M. ELLIS	TERMINAL, RING TONGUE, PVF <sup>2</sup> , PLASTI-GRIP, WIRE SIZE: 4 AWG		
					PRODUCT SPEC NOT AVAILABLE	SIZE B	CAGE CODE 00779
				APPLICATION SPEC NOT AVAILABLE	SCALE NTS	SHEET 1 OF 1	