

THIS DRAWING IS UNPUBLISHED.

RELEASED FOR PUBLICATION

© COPYRIGHT - By -

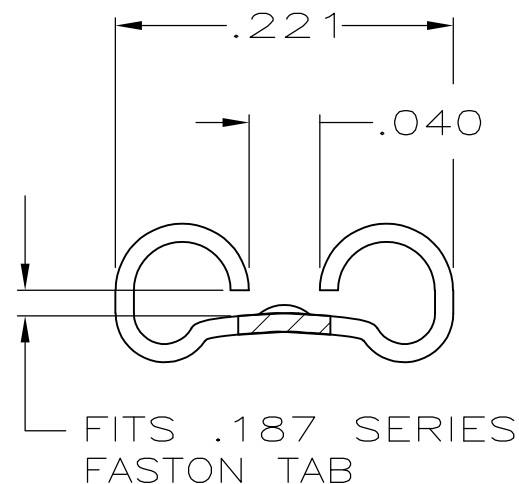
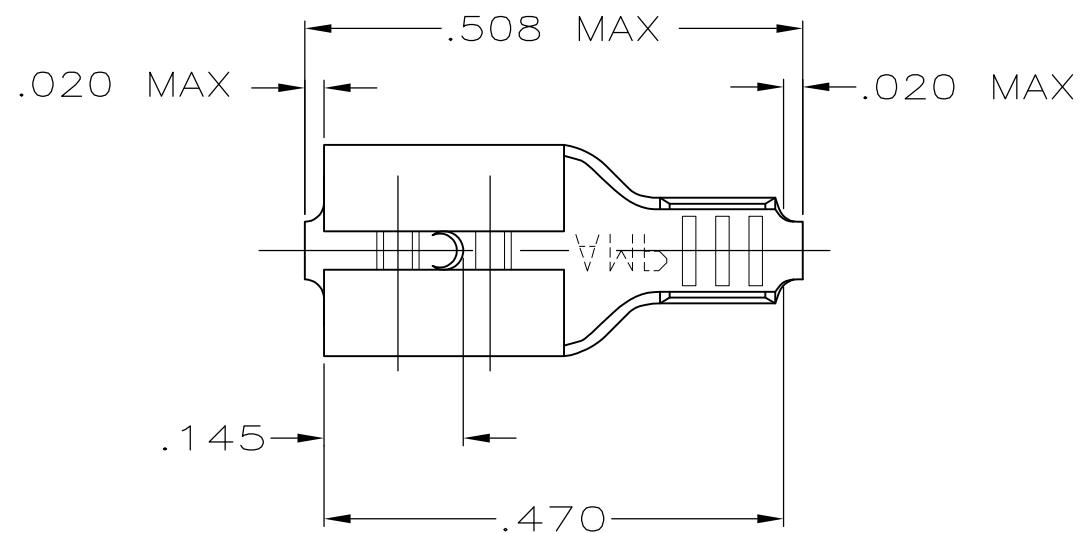
ALL RIGHTS RESERVED.

LOC AF DIST 50

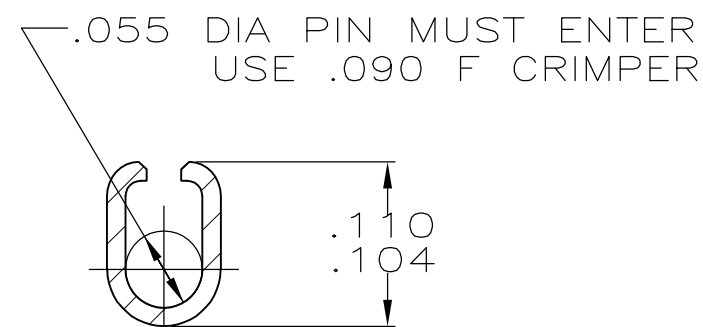
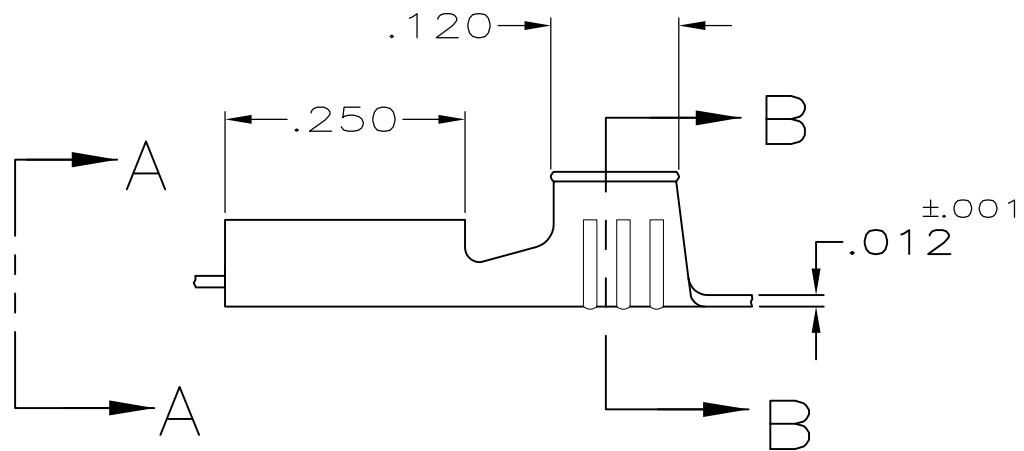
REVISIONS

P	LTR	DESCRIPTION	DATE	DWN	APVD
	A	REVISED PER ECR-12-013445	09NOV12	KH	PD

- 1 CONTINUOUS STRIP ON REELS
- 2 WIRE SIZE IS #20-#16 AWG.
- 3 MATING TAB THK IS .020±.001



VIEW A-A
SCALE 8:1



SECTION B-B

42373-2

42638-2

STRIP NO.

PART NUMBER

THIS DRAWING IS A CONTROLLED DOCUMENT.

DWN JR RUTH 11/12/96

CHK MS FEHER 11/12/96

APVD P DESANTIS 11/12/96

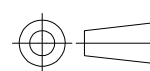
PRODUCT SPEC

APPLICATION SPEC

WEIGHT -

CUSTOMER DRAWING

DIMENSIONS:
INCHES



TOLERANCES UNLESS
OTHERWISE SPECIFIED:

0 PLC	± -
1 PLC	± -
2 PLC	± -
3 PLC	± .015
4 PLC	± -
ANGLES	± -

MATERIAL

BRASS

FINISH

TIN

NAME RECEPTACLE, FASTON™, .187 SERIES

SIZE A3 CAGE CODE 00779 DRAWING NO C-42638

RESTRICTED TO

-

CUSTOMER DRAWING

SCALE 5:1

SHEET 1 OF 1

REV A