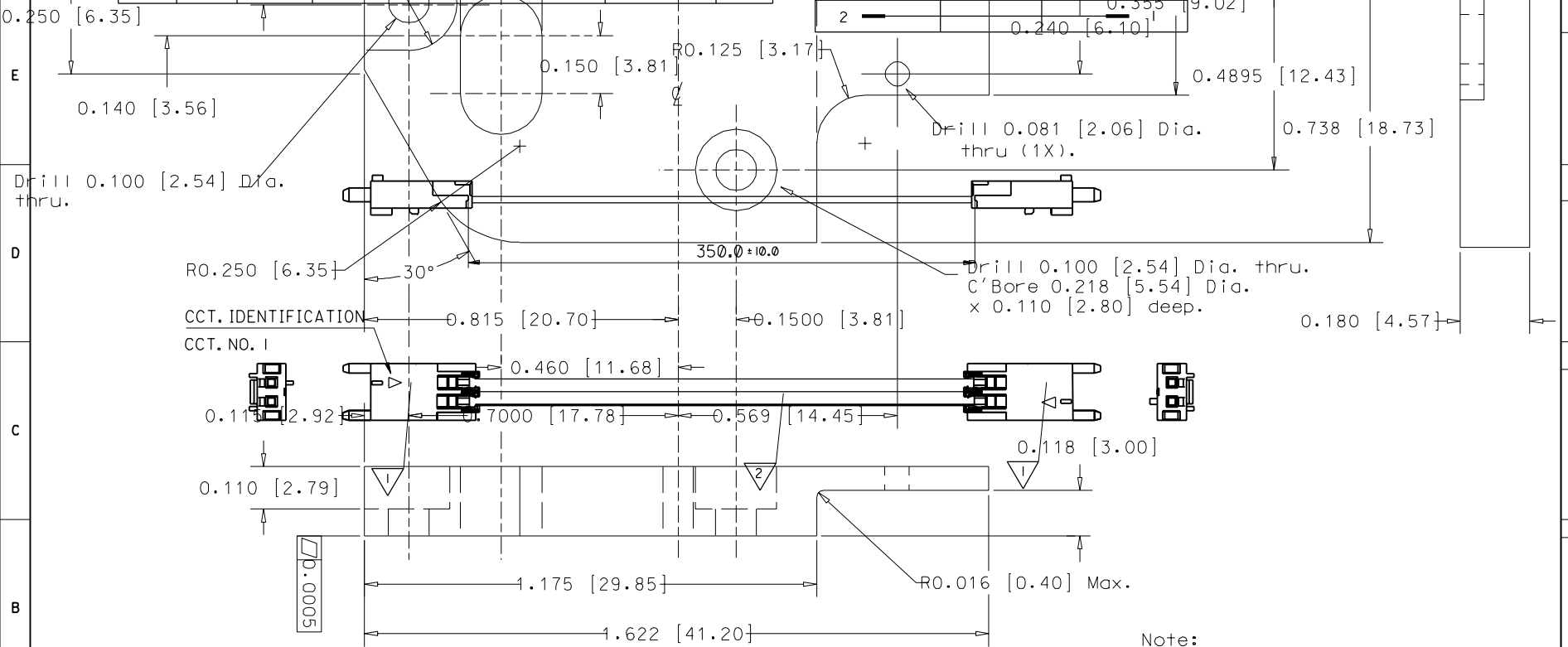
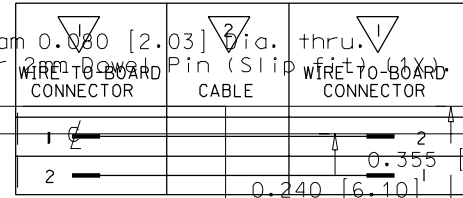


BILL OF MATERIALS

WIRING DIAGRAM

ITEM	QTY.	SUPPLIER	DESCRIPTION	PART NO.	NOTE
1	2	MOLEX	WIRE TO BOARD CONNECTOR	99020-0018	2
2	1	MOLEX	24 AWG SOLID RIBBON CABLE, (UL 2651)	99026-0008	3



NOTES:

1. SUPPLIER OR CUSTOMER APPROVED EQUIVALENT.
2. SEE PRODUCT SPECIFICATION PS-99020-0018.
3. SEE CABLE SPECIFICATION ES-99027-0008.

- NOTES:
1. MATERIAL SPECIFICATION 6861-96
 2. HEAT TREAT 217
 3. FINISHING AND ANODIZING BACK
 4. BREAK ALL SHARP EDGES UNLESS OTHERWISE SPECIFIED .005 - .010
 5. MARK FLUSH WITH OR BELOW SURFACE
- ENGINEERING NO.-VENDOR CODE PART NO.

Note: Dimensions to .001 DIMENSIONS: .001

UNIT	INCH	MILL	MM
DECIMALS	1/16	1/32	0.0625
FRACTIONS	1/8	1/16	0.03125
DECIMALS	1/10	1/20	0.05
FRACTIONS	1/2	1/4	0.125

REV	DESCRIPTION	DATE	BY	CHKD.	APPR.	SCALE	DESIGN UNITS	TITLE	DATE	BY	CHKD.	APPR.	DATE	BY	CHKD.	APPR.	DATE
01	ORIGINAL RELEASE	06/18	DRW	BENR	BENR	1:1	INCH	BENR	00/02/01	DRW	BENR	BENR	00/02/01	DRW	BENR	BENR	00/02/01
02	MODIFIED	02/01	DRW	JHORGAN	JHORGAN	1:1	INCH	JHORGAN	00/02/01	DRW	JHORGAN	JHORGAN	00/02/01	DRW	JHORGAN	JHORGAN	00/02/01

GENERAL TOLERANCES: (UNLESS SPECIFIED) DIMENSIONS SHOWN IN PARENTHESES ARE ANGULAR & 1/2 DATE UNLESS OTHERWISE SPECIFIED

SCALE: 1:1

DESIGN UNITS: INCH

TITLE: LATCH 2 CCT USER FRIENDLY ASSY

DATE: 00/02/01

BY: DRW

CHKD.: BENR

APPR.: BENR

DATE: 00/02/01

BY: DRW

CHKD.: JHORGAN

APPR.: JHORGAN

DATE: 00/02/01

MATERIAL NO. 11-9230A0156 SD-9230T-280

DATE: 00/02/01

BY: DRW

CHKD.: JHORGAN

APPR.: JHORGAN

DATE: 00/02/01

REVISIONS: A

REVISIONS: B

REVISIONS: C

REVISIONS: D

REVISIONS: E

REVISIONS: F

REVISIONS: G

REVISIONS: H

REVISIONS: I

REVISIONS: J

REVISIONS: K

REVISIONS: L

REVISIONS: M

REVISIONS: N

REVISIONS: O

REVISIONS: P

REVISIONS: Q

REVISIONS: R

REVISIONS: S

REVISIONS: T

REVISIONS: U

REVISIONS: V

REVISIONS: W

REVISIONS: X

REVISIONS: Y

REVISIONS: Z

REVISIONS: AA

REVISIONS: AB

REVISIONS: AC

REVISIONS: AD

REVISIONS: AE

REVISIONS: AF

REVISIONS: AG

REVISIONS: AH

REVISIONS: AI

REVISIONS: AJ

REVISIONS: AK

REVISIONS: AL

REVISIONS: AM

REVISIONS: AN

REVISIONS: AO

REVISIONS: AP

REVISIONS: AQ

REVISIONS: AR

REVISIONS: AS

REVISIONS: AT

REVISIONS: AU

REVISIONS: AV

REVISIONS: AW

REVISIONS: AX

REVISIONS: AY

REVISIONS: AZ

REVISIONS: BA

REVISIONS: BB

REVISIONS: BC

REVISIONS: BD

REVISIONS: BE

REVISIONS: BF

REVISIONS: BG

REVISIONS: BH

REVISIONS: BI

REVISIONS: BJ

REVISIONS: BK

REVISIONS: BL

REVISIONS: BM

REVISIONS: BN

REVISIONS: BO

REVISIONS: BP

REVISIONS: BQ

REVISIONS: BR

REVISIONS: BS

REVISIONS: BT

REVISIONS: BU

REVISIONS: BV

REVISIONS: BW

REVISIONS: BX

REVISIONS: BY

REVISIONS: BZ

REVISIONS: CA

REVISIONS: CB

REVISIONS: CC

REVISIONS: CD

REVISIONS: CE

REVISIONS: CF

REVISIONS: CG

REVISIONS: CH

REVISIONS: CI

REVISIONS: CJ

REVISIONS: CK

REVISIONS: CL

REVISIONS: CM

REVISIONS: CN

REVISIONS: CO

REVISIONS: CP

REVISIONS: CQ

REVISIONS: CR

REVISIONS: CS

REVISIONS: CT

REVISIONS: CU

REVISIONS: CV

REVISIONS: CW

REVISIONS: CX

REVISIONS: CY

REVISIONS: CZ

REVISIONS: DA

REVISIONS: DB

REVISIONS: DC

REVISIONS: DD

REVISIONS: DE

REVISIONS: DF

REVISIONS: DG

REVISIONS: DH

REVISIONS: DI

REVISIONS: DJ

REVISIONS: DK

REVISIONS: DL

REVISIONS: DM

REVISIONS: DN

REVISIONS: DO

REVISIONS: DP

REVISIONS: DQ

REVISIONS: DR

REVISIONS: DS

REVISIONS: DT

REVISIONS: DU

REVISIONS: DV

REVISIONS: DW

REVISIONS: DX

REVISIONS: DY

REVISIONS: DZ

REVISIONS: EA

REVISIONS: EB

REVISIONS: EC

REVISIONS: ED

REVISIONS: EE

REVISIONS: EF

REVISIONS: EG

REVISIONS: EH

REVISIONS: EI

REVISIONS: EJ

REVISIONS: EK

REVISIONS: EL

REVISIONS: EM

REVISIONS: EN

REVISIONS: EO

REVISIONS: EP

REVISIONS: EQ

REVISIONS: ER

REVISIONS: ES

REVISIONS: ET

REVISIONS: EU

REVISIONS: EV

REVISIONS: EW

REVISIONS: EX

REVISIONS: EY

REVISIONS: EZ

REVISIONS: FA

REVISIONS: FB

REVISIONS: FC

REVISIONS: FD

REVISIONS: FE

REVISIONS: FF

REVISIONS: FG

REVISIONS: FH

REVISIONS: FI

REVISIONS: FJ

REVISIONS: FK

REVISIONS: FL

REVISIONS: FM

REVISIONS: FN

REVISIONS: FO

REVISIONS: FP

REVISIONS: FQ

REVISIONS: FR

REVISIONS: FS

REVISIONS: FT

REVISIONS: FU

REVISIONS: FV

REVISIONS: FW

REVISIONS: FX

REVISIONS: FY

REVISIONS: FZ

REVISIONS: GA

REVISIONS: GB

REVISIONS: GC

REVISIONS: GD

REVISIONS: GE

REVISIONS: GF

REVISIONS: GG

REVISIONS: GH

REVISIONS: GI

REVISIONS: GJ

REVISIONS: GK

REVISIONS: GL

REVISIONS: GM

REVISIONS: GN

REVISIONS: GO

REVISIONS: GP

REVISIONS: GQ

REVISIONS: GR

REVISIONS: GS

REVISIONS: GT

REVISIONS: GU

REVISIONS: GV

REVISIONS: GW

REVISIONS: GX

REVISIONS: GY

REVISIONS: GZ

REVISIONS: HA

REVISIONS: HB

REVISIONS: HC

REVISIONS: HD

REVISIONS: HE

REVISIONS: HF

REVISIONS: HG

REVISIONS: HH

REVISIONS: HI

REVISIONS: HJ

REVISIONS: HK

REVISIONS: HL

REVISIONS: HM

REVISIONS: HN

REVISIONS: HO

REVISIONS: HP

REVISIONS: HQ

REVISIONS: HR

REVISIONS: HS

REVISIONS: HT

REVISIONS: HU

REVISIONS: HV

REVISIONS: HW

REVISIONS: HX

REVISIONS: HY

REVISIONS: HZ

REVISIONS: IA

REVISIONS: IB

REVISIONS: IC

REVISIONS: ID

REVISIONS: IE

REVISIONS: IF

REVISIONS: IG

REVISIONS: IH

REVISIONS: II

REVISIONS: IJ

REVISIONS: IK

REVISIONS: IL

REVISIONS: IM

REVISIONS: IN

REVISIONS: IO

REVISIONS: IP

REVISIONS: IQ

REVISIONS: IR

REVISIONS: IS

REVISIONS: IT

REVISIONS: IU

REVISIONS: IV

REVISIONS: IW

REVISIONS: IX

REVISIONS: IY

REVISIONS: IZ