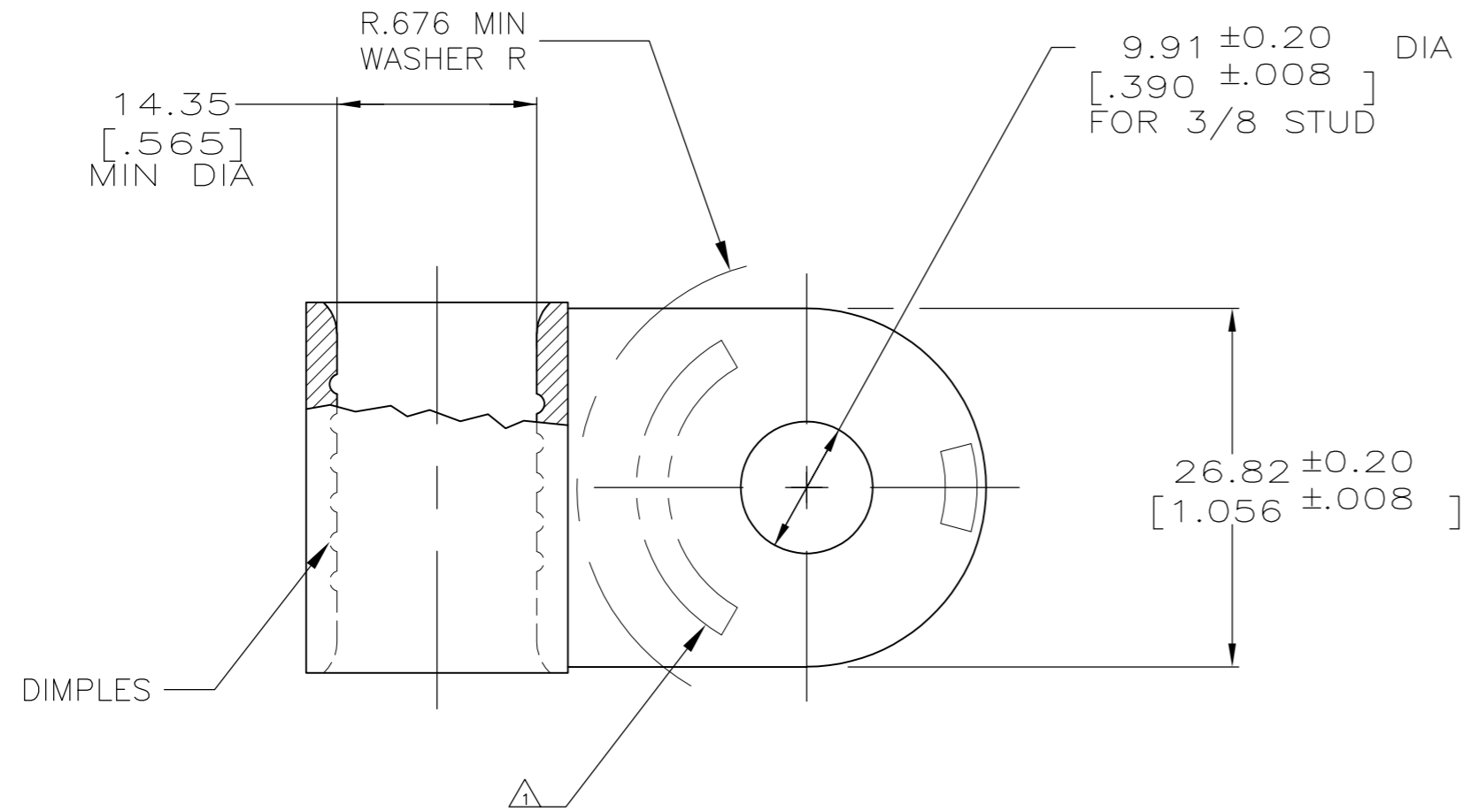


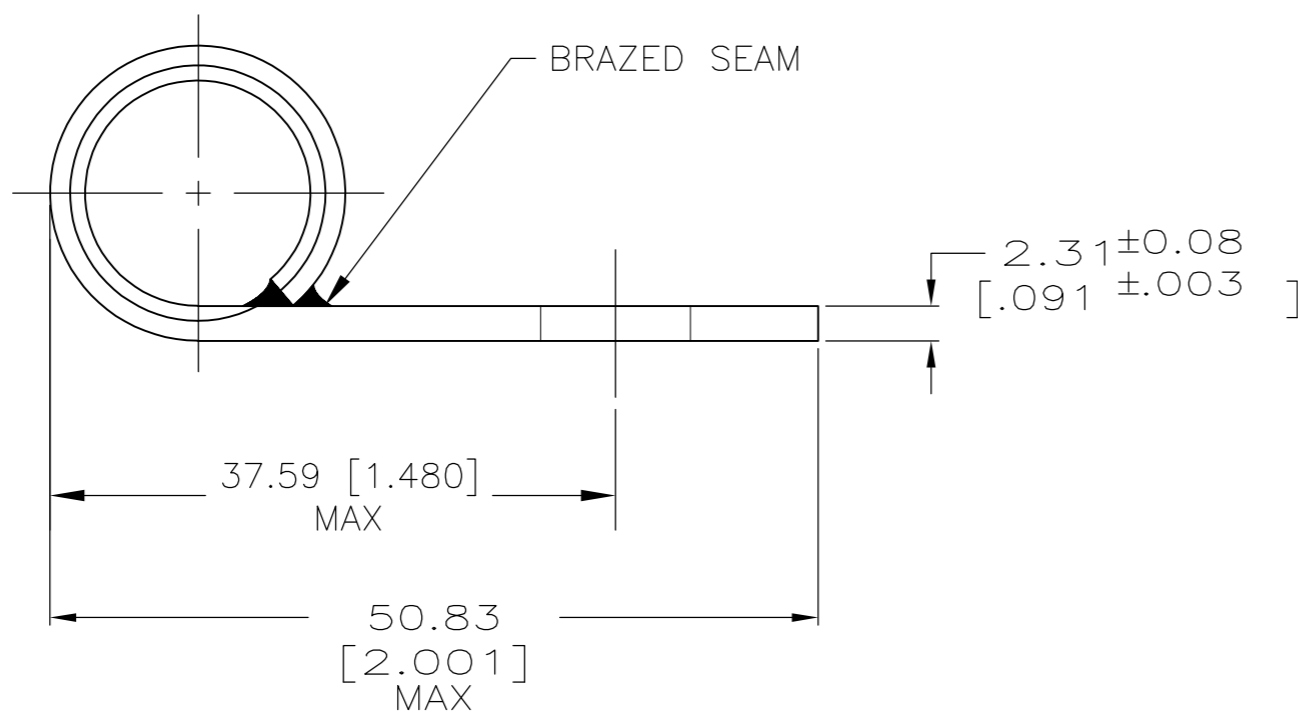
THIS DRAWING IS UNPUBLISHED. RELEASED FOR PUBLICATION
 © COPYRIGHT - By - ALL RIGHTS RESERVED.

LOC	DIST	REVISIONS			
P	LTR	DESCRIPTION	DATE	DWN	APVD
G	14	D1	REVISED PER ECO-12-003798	29FEB12	KH DR



AMP WIRE RANGE	Listed FILE E13288	LR7189 Certified
3/0 AWG SOLID OR STRANDED	3/0 AWG STRANDED	3/0 AWG SOLID OR STRANDED

- ① STAMP AMP 3/0W* APPROX AS SHOWN
- ② COPPER PER ASTM B-152, ANNEALED
- ③ 0.00254 [.000100] MIN TIN PER ASTM B-545



327887
 PART NO

AMP INCORPORATED CUSTOMER SERVICE SYSTEMS		MAX RECOMMENDED OPERATING TEMPERATURE: 170° C
FOR ADDITIONAL PRODUCT INFORMATION OR COPIES OF DRAWINGS AND TECHNICAL DOCUMENTS	PRODUCT INFORMATION CENTER 1-800-522-6752	VOLTAGE RATING: N/A
FOR APPLICATION TOOLING INFORMATION	TOOLING ASSISTANCE CENTER 1-800-722-1111	CIRCULAR MIL AREA: 76.3-96.3mm ² [150,000-190,000] SOLID OR STRANDED
FOR ORDER ENTRY	1-800-526-5142	THIS DRAWING IS A CONTROLLED DOCUMENT FOR AMP INCORPORATED. IT IS SUBJECT TO CHANGE AND THE CONTROLLING ENGINEERING ORGANIZATION SHOULD BE CONTACTED FOR THE LATEST REVISION.

THIS DRAWING IS A CONTROLLED DOCUMENT.		DWN DK SCHRUM 18NOV94	TE Connectivity		
DIMENSIONS: INCHES		CHK DA PATTERSON 21NOV94			
TOLERANCES UNLESS OTHERWISE SPECIFIED:		APVD DA PATTERSON 21NOV94	NAME TERMINAL, RING TONGUE, FLAG, SOLISTRAND		
0 PLC ± - 1 PLC ± - 2 PLC ± 0.20[.008] 3 PLC ± - 4 PLC ± - ANGLES ± -		PRODUCT SPEC APPLICATION SPEC	SIZE A2	CAGE CODE 00779	DRAWING NO C=327887
MATERIAL - ②	FINISH - ③	WEIGHT -	RESTRICTED TO -	SCALE 2:1	SHEET 1 of 1
CUSTOMER DRAWING			REV D1		