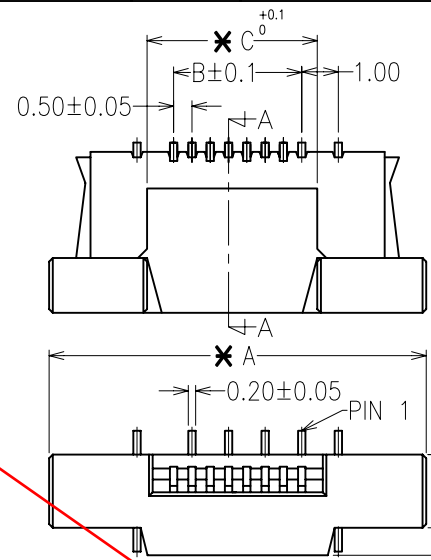
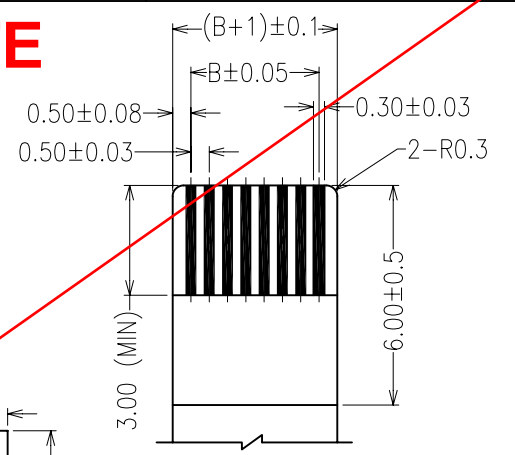


PIN	A	B	C
04	8.50	1.50	2.60
05	9.00	2.90	3.10
06	9.50	2.50	3.60
07	10.00	3.00	4.10
08	10.50	3.50	4.60
09	11.00	4.00	5.10
10	11.50	4.50	5.60
11	12.00	5.00	6.10
12	12.50	5.50	6.60
13	13.00	6.00	7.10
14	13.50	6.50	7.60
15	14.00	7.00	8.10
16	14.50	7.50	8.60
17	15.00	8.00	9.10
18	15.50	8.50	9.60
19	16.00	9.00	10.10
20	16.50	9.50	10.60
21	17.00	10.00	11.10
22	17.50	10.50	11.60
23	18.00	11.00	12.10
24	18.50	11.50	12.60
25	19.00	12.00	13.10
26	19.50	12.50	13.60
27	20.00	13.00	14.10
28	20.50	13.50	14.60
29	21.00	14.00	15.10
30	21.50	14.50	15.60

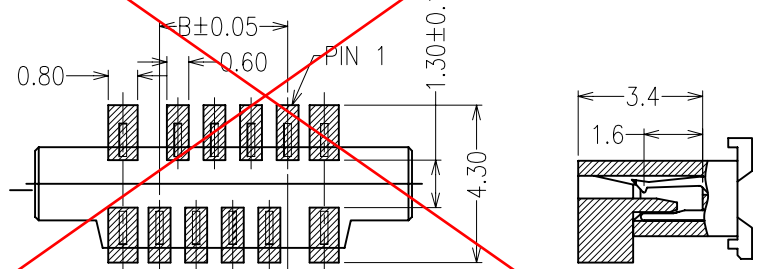
PIN	A	B	C
* 31	22.00	15.00	16.10
32	22.50	15.50	16.60
33	23.00	16.00	17.10
34	23.50	16.50	17.60
* 35	24.00	17.00	18.10
36	24.50	17.50	18.60
* 37	25.00	18.00	19.10
* 38	25.50	18.50	19.60
* 39	26.00	19.00	20.10
40	26.50	19.50	20.60
41	27.00	20.00	21.10
* 42	27.50	20.50	21.60
* 43	28.00	21.00	22.10
* 44	28.50	21.50	22.60
45	29.00	22.00	23.10
* 46	29.50	22.50	23.60
* 47	30.00	23.00	24.10
* 48	30.50	23.50	24.60
* 49	31.00	24.00	25.10
50	31.50	24.50	25.60
* 51	32.00	25.00	26.10
* 52	32.50	25.50	26.60
53	33.00	26.00	27.10
* 54	33.50	26.50	27.60
55	34.00	27.00	28.10
* 56	34.50	27.50	28.60
57	35.00	28.00	29.10
58	35.50	28.50	29.60
* 59	36.00	29.00	30.10
60	36.50	29.50	30.60



OBSOLETE



RECOMMENDED APPLICABLE FPC LAYOUT (THICKNESS:0.30±0.03)



RECOMMENDED P.C.B BOARD PATTERN DIM. (REF)

SECTION A-A

SPECIFICATIONS:

- MATERIAL: -
- HOUSING: HIGH-TEMP THERMOSPLASTIC UL94V-0
- COLOUR: BLACK
- ACTUATOR: HIGH-TEMP THERMOSPLASTIC UL94V-0
- COLOUR: WHITE
- CONTACT: COPPER ALLOY, T=0.2mm
- FITTING NAIL: COPPER ALLOY, T=0.2mm
- FINISH: -
- CONTACT AREA: TIN PLATED
- SOLDER AREA: TIN PLATED
- FITTING NAIL: TIN PLATED

TOLERANCES

X.X	= ±0.30mm
X.XX	= ±0.20mm
ANGLE	= ±0°30'

NOTES: ALL DIMENSIONS AND NOTES MARKED * ARE CRITICAL AND MUST BE CHECKED IN ACCORDANCE WITH QUALITY INSTRUCTION Q1-02A

*PLEASE CONTACT TECHNICAL SALES FOR WAYS WITH * FOR AVAILABILITY

ORDER CODE
F05E- XX 3146R
 NO. OF WAYS PER ROW

NAME	ISS.	DATE	C/NOTE
Allan	6	02.09.09	A232
Allan	5	15.09.08	A161
Allan	4	18.12.07	A099
Allan	3	26.07.07	A063
Allan	2	06.07.07	A058
Allan	1	01.08.06	-

APPROVED: _____
 CHECKED: *Ben*
 DRAWN: Allan

CUSTOMER REF.: _____
 ASSEMBLY DRG: _____



HARWIN USA TEL: 603 893 5376 FAX: 603 893 5396 mis@harwin.com	HARWIN Europe (UK) TEL: 023 9231 4545 FAX: 023 9231 4590 mis@harwin.co.uk	HARWIN Asia TEL: +65 6 779 4909 FAX: +65 6 779 3868 mis@harwin.com.sg
--	--	--

THIS DRAWING AND ANY INFORMATION OR DESCRIPTIVE MATTER SET OUT HEREON ARE CONFIDENTIAL AND COPYRIGHT PROPERTY OF THE HARWIN GROUP AND MUST NOT BE DISCLOSED, LOANED, COPIED OR USED FOR MANUFACTURING, TENDERING OR FOR ANY OTHER PURPOSE WITHOUT THEIR WRITTEN PERMISSION.

TOLERANCES

X	= ±1mm
X.X	= ±0.25mm
X.XX	= ±0.10mm
X.XXX	= ±0.01mm
ANGLES	= ±5°
UNLESS STATED	

MATERIAL: SEE NOTES

FINISH: SEE NOTES

S/AREA: mm²

TITLE: 0.5 ZIF FPC SMT V/T

DRAWING NUMBER: F05E- XX 3146R

SHT 1 OF 1