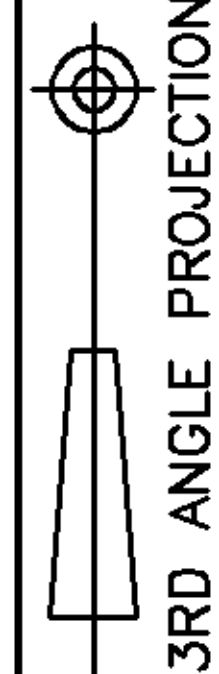
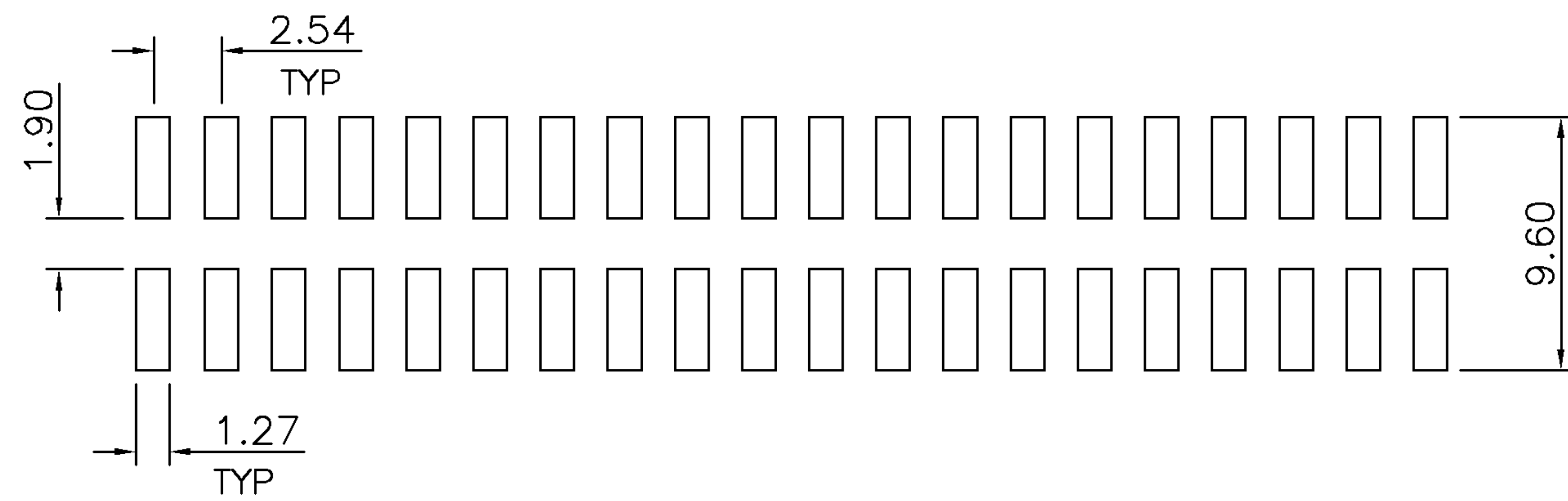
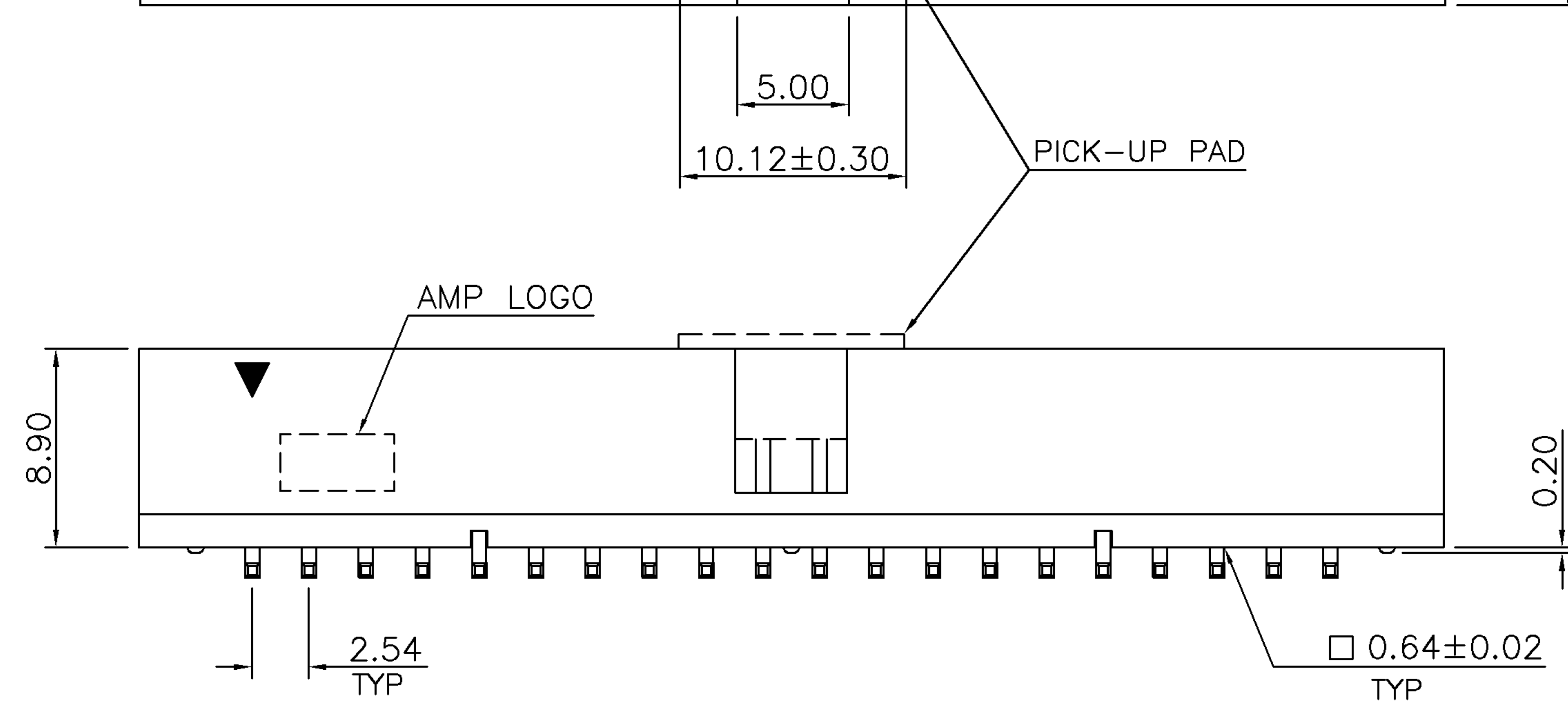
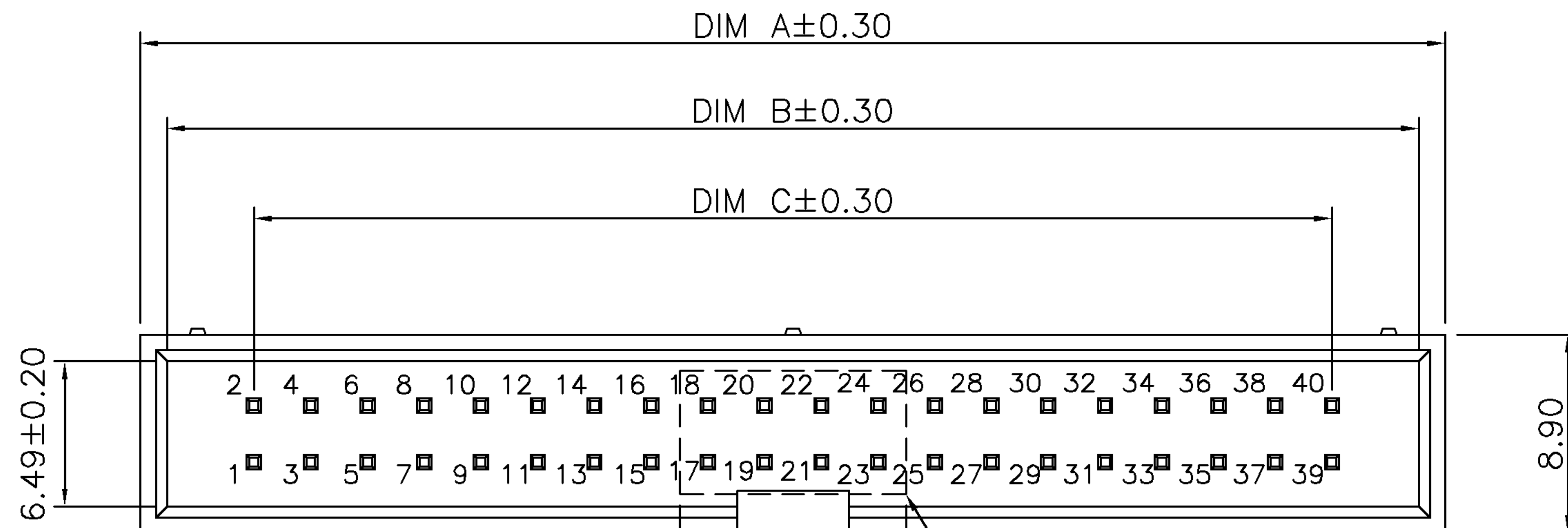


THIS INFORMATION IS CONFIDENTIAL AND IS DISCLOSED TO YOU ON CONDITION THAT NO FURTHER DISCLOSURE IS MADE BY YOU TO OTHER THAN AMP PERSONNEL WITHOUT WRITTEN AUTHORIZATION FROM AMP (TAIWAN) LTD. DIMENSIONS IN MILLIMETERS. DO NOT SCALE PRINT.

NUMBER  
C-1734160



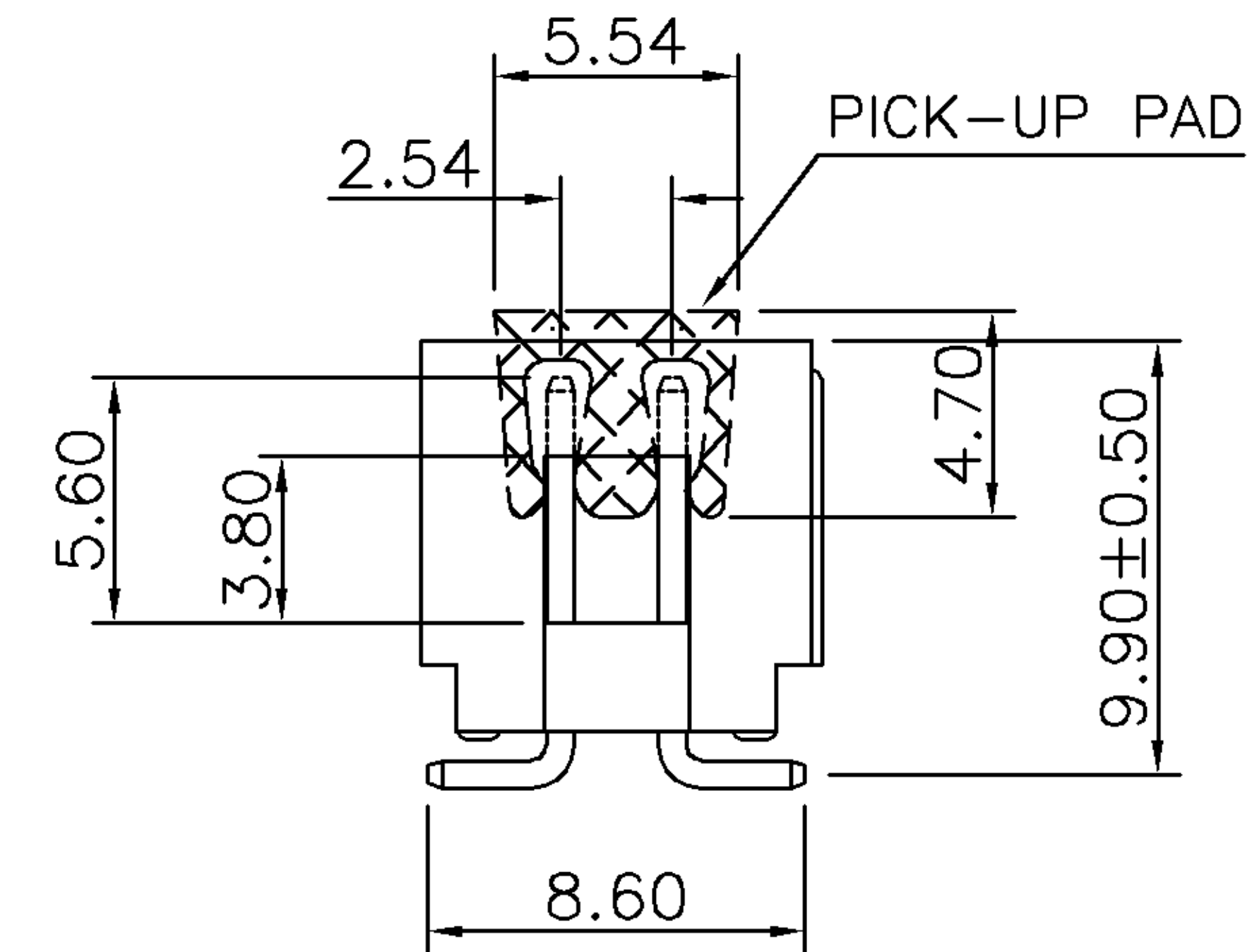
METRIC



RECOMMENDED P.C.B. LAYOUT

NOTES:

- MATERIAL:  
HOUSING: THERMOPLASTIC HIGH TEMP., WITH 30% GLASS FIBER FILLED., UL 94V-0. COLOR: SEE TABLE.  
CONTACT: BRASS, THICKNESS=0.64mm.
- FINISH :  
CONTACT: GOLD FLASH OVER 40μ" MIN. NICKEL UNDERPLATING.
- REFLOW SOLDER CAPABLE TO 260°C PER TYCO SPEC109-201, CONDITION B.



#20	48.26	55.88	58.42	BLACK	40	3-1734160-4
X	48.26	55.88	58.42	BLUE	40	1-1734160-5
	48.26	55.88	58.42	BLACK	40	1-1734160-4
	48.26	48.26	50.80	BLACK	34	1-1734160-3
LACK PIN#	DIM C	DIM B	DIM A	HSG COLOR	POS.	PART NUMBER

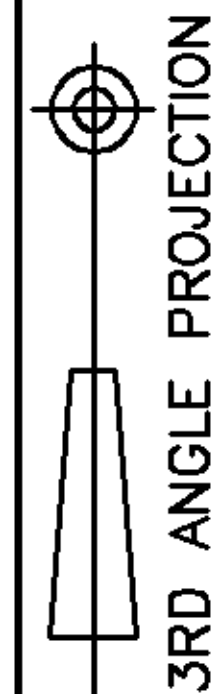
TOLERANCES UNLESS OTHERWISE SPECIFIED: 0 PLC ± 1 PLC ± 2 PLC ±0.3 3 PLC ± ANGLES ±	DWN	O. HU	TYCO HOLDINGS (BERMUDA) VII LTD. TAIWAN BRANCH NAME BOX HEADER 2R SMT, 2.54 PITCH, VERTICAL TYPE			
		01-JUL-2005				
MATERIAL  SEE NOTE	CHK	S. HOU	LOC DW A <sub>3</sub> C-1734160 REV O SCALE -- SHEET 1 OF 2			
		01-JUL-2005				
FINISH  SEE NOTE	APVD	W.J. KE	QUALIFICATION TEST REPORT 501-57052 WEIGHT			
		01-JUL-2005				

o	FIRST RELEASED	OH SH	08JUL 2005
LTR	REVISION RECORD	DWN CHK	DATE

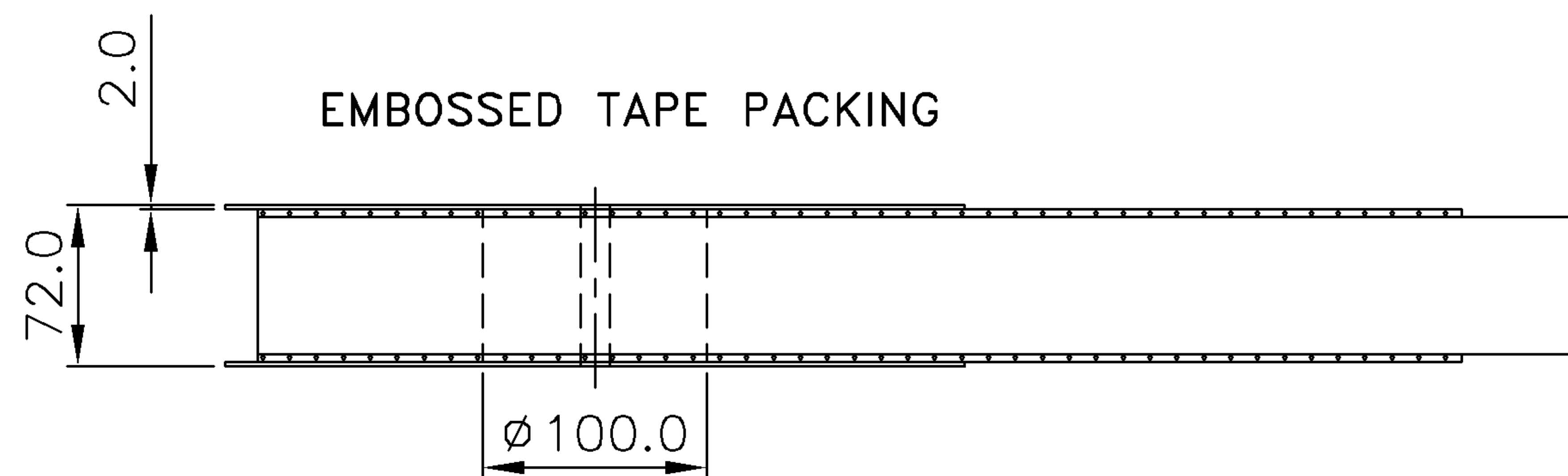
THIS INFORMATION IS CONFIDENTIAL AND IS DISCLOSED TO YOU ON CONDITION THAT NO FURTHER DISCLOSURE IS MADE BY YOU TO OTHER THAN AMP PERSONNEL WITHOUT WRITTEN AUTHORIZATION FROM AMP (TAIWAN) LTD. DIMENSIONS IN MILLIMETERS. DO NOT SCALE PRINT.

PRINT DIST  
DW

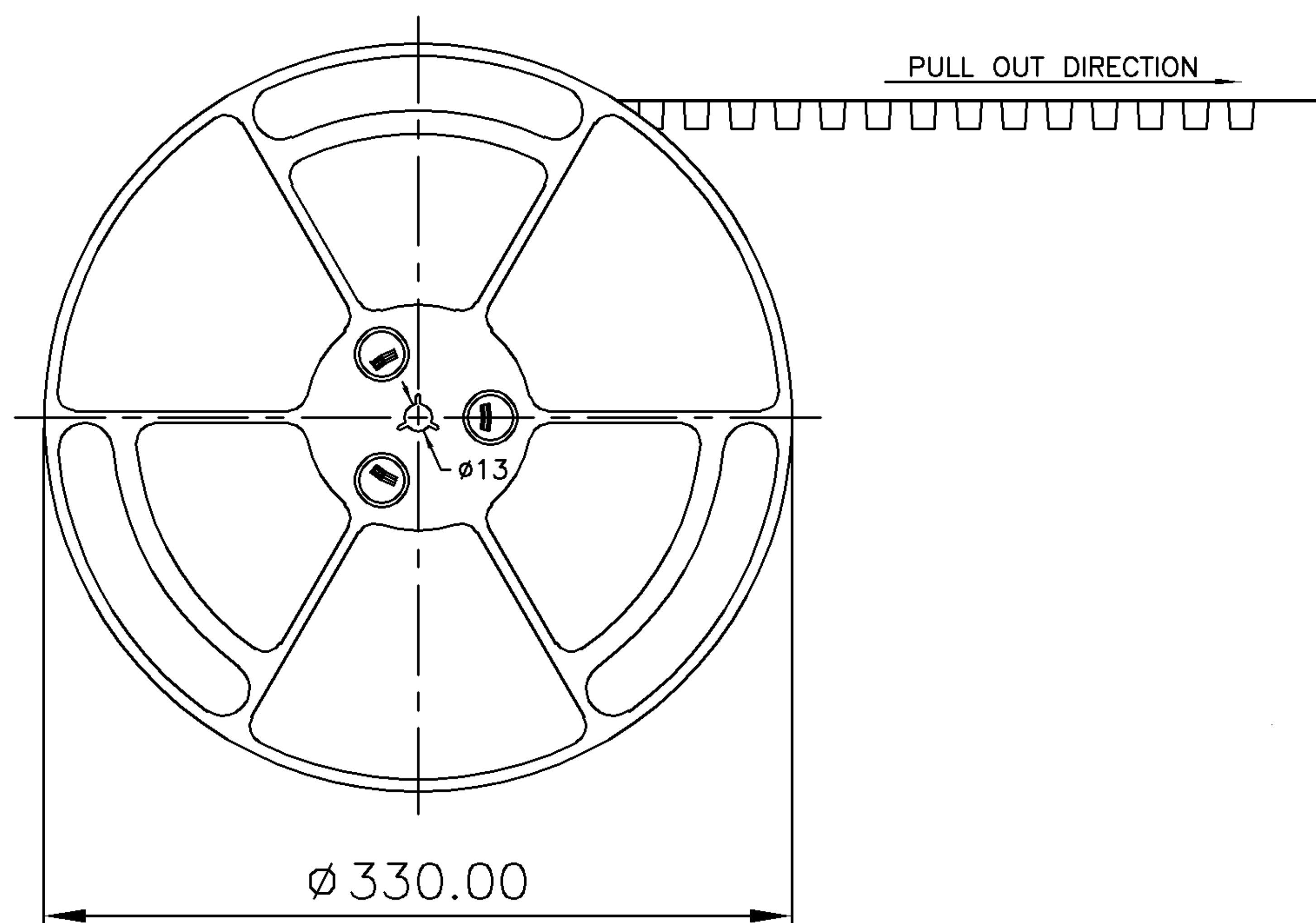
METRIC



NUMBER  
C-1734160

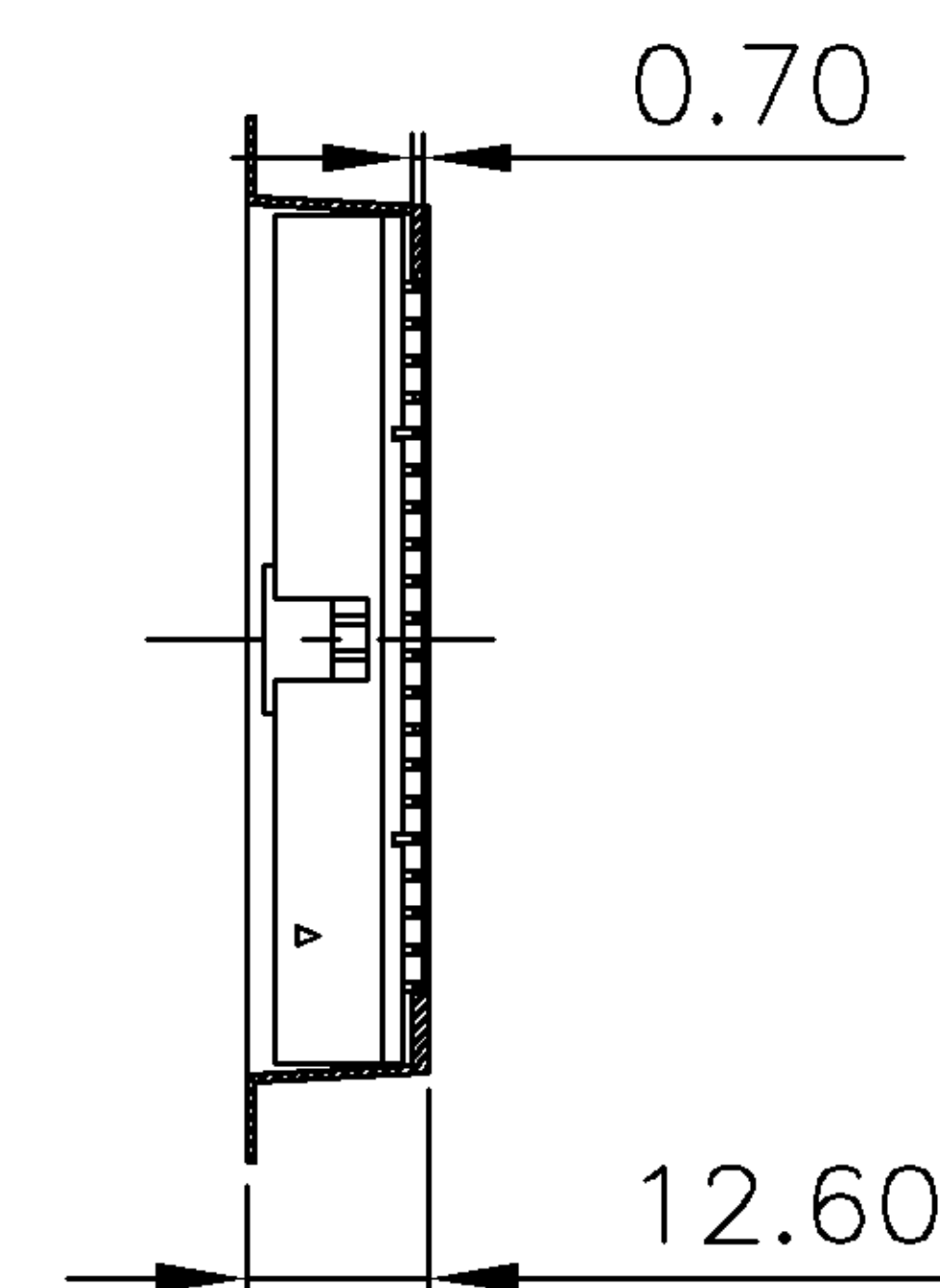
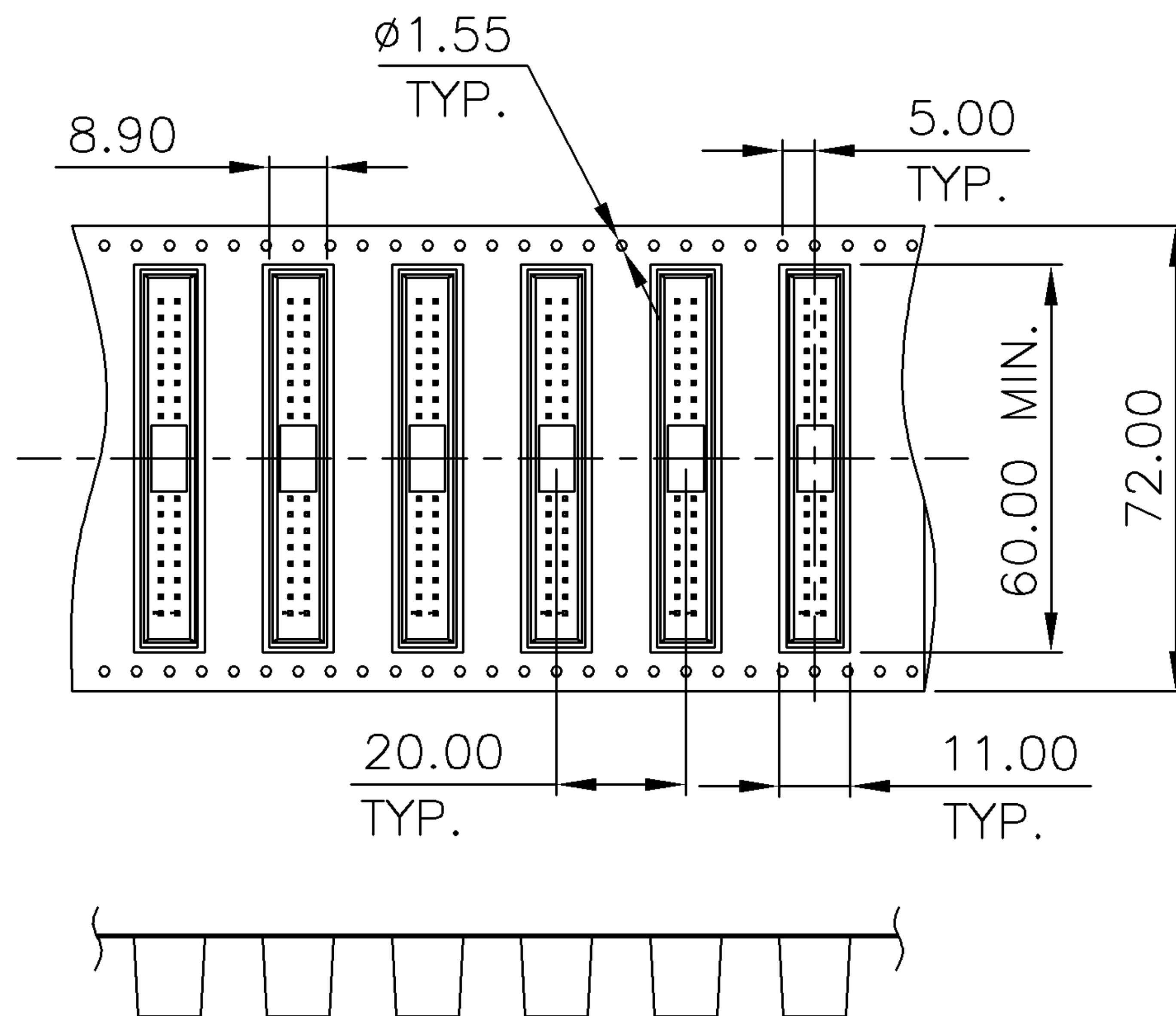


EMBOSSSED TAPE PACKING



NOTE:

1. 10 SPROCKET HOLE PITCH CUMULATIVE TOLERANCE: 0.2mm.
2. CARRIER CAMBER IS WITHIN 1.0mm IN 100mm.
3. MATERIAL: BLACK CONDUCTIVE POLYSTYRENE ALLOY 100% RECYCLABLE.
4. THICKNESS: 0.3±0.05mm.
5. TOTAL: 250 PCS.



LTR	SEE SHEET 1.	ECN	DWN	CHK	DATE
	REVISION RECORD				

TOLERANCES UNLESS OTHERWISE SPECIFIED:		DWN	O. HU	<b>tyco</b> TYCO HOLDINGS (BERMUDA) <b>Electronics</b> VII LTD. TAIWAN BRANCH
0 PLC ±			01-JUL-2005	
1 PLC ±		CHK	S. HOU	NAME
2 PLC ±			01-JUL-2005	
3 PLC ±		APVD	W.J. KE	BOX HEADER 2R SMT, 2.54 PITCH, VERTICAL TYPE
ANGLES ±			01-JUL-2005	
MATERIAL	SEE NOTE	PRODUCT SPEC	-	LOC SIZE DRAWING NO REV DW A <sub>3</sub> C-1734160 O
FINISH	SEE NOTE	QUALIFICATION TEST REPORT	-	
		WEIGHT	-	SCALE
				SHEET 2 OF 2