

Adapter - DC-B 6-ADP-4M12-FS-5CON-7X4-UT - 1581010

Please be informed that the data shown in this PDF Document is generated from our Online Catalog. Please find the complete data in the user's documentation. Our General Terms of Use for Downloads are valid (<http://download.phoenixcontact.com>)



DUPLICON, aluminum M12 adapter with 4 x M12 SPEEDCON fast connection (5-pos., A-coded, 4 A, 60 V) for DUPLICON contact inserts 6 x 4 mm² + PE, type B6, IP67 protection, with two locking latches, gasket and an M20 filler plug



Key commercial data

Packing unit	1 PCE
Weight per Piece (excluding packing)	383.7 GRM
Custom tariff number	85369010
Country of origin	Germany

Technical data

Dimensions

Height	81.1 mm
Width	75 mm
Length	89 mm

Ambient conditions

Degree of protection of housing (IP)	IP65
	IP66
	IP67
Ambient temperature (operation)	-40 °C ... 100 °C

General

Design	DC-B6
Color	pearl gray
Locking type	For double locking latch
Housing material	Aluminum die-cast
Housing surface material	EMC-conductive
Seal material	NBR

Adapter - DC-B 6-ADP-4M12-FS-5CON-7X4-UT - 1581010

Technical data

General

Material lock	Stainless steel
Material grip body interlock	PA

Classifications

eCl@ss

eCl@ss 4.0	272607xx
eCl@ss 4.1	27260701
eCl@ss 5.0	27143424
eCl@ss 5.1	27143424
eCl@ss 6.0	27143424
eCl@ss 7.0	27440209
eCl@ss 8.0	27440209

ETIM

ETIM 3.0	EC001121
ETIM 4.0	EC002636
ETIM 5.0	EC002498

UNSPSC

UNSPSC 6.01	31251501
UNSPSC 7.0901	31251501
UNSPSC 11	31251501
UNSPSC 12.01	39121522
UNSPSC 13.2	39121413

Accessories

Accessories

Device marking

Label - EML (26,5X12)R SR - 0816854



Label, Roll, silver/matt, Unlabeled, Can be labeled with: THERMOMARK ROLL, THERMOMARK X, THERMOMARK S1.1, Mounting type: Adhesive, Lettering field: 26.5 x 12 mm

Protective cap

Adapter - DC-B 6-ADP-4M12-FS-5CON-7X4-UT - 1581010

Accessories

Screw plug - PROT-M12 - 1680539



An M12 screw plug for the unoccupied M12 sockets of the sensor/actuator cable, boxes and flush-type connectors

Seal

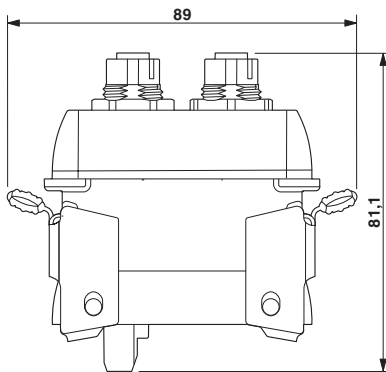
Grommet - DC-B 6-A-HD-G - 1602326



DUPLICON, profile gasket for stackable housing, made of conductive EPDM

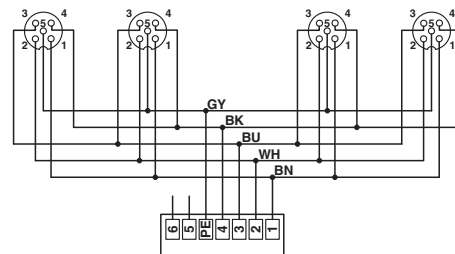
Drawings

Dimensioned drawing



Dimensional drawing

Circuit diagram



Circuit diagram